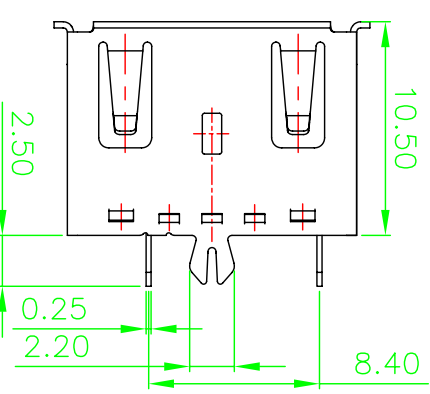
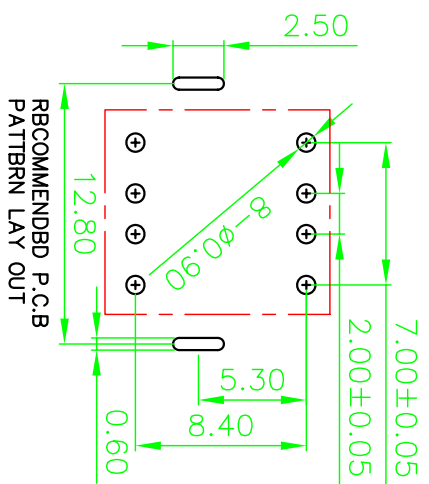
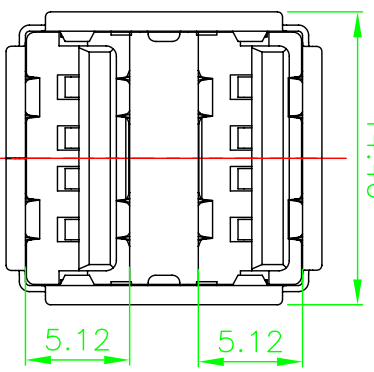
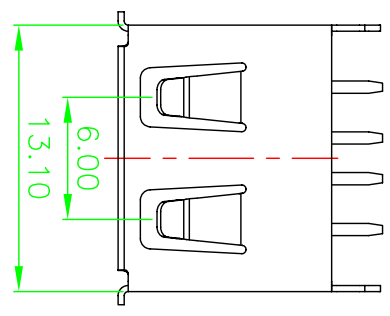


RoHS

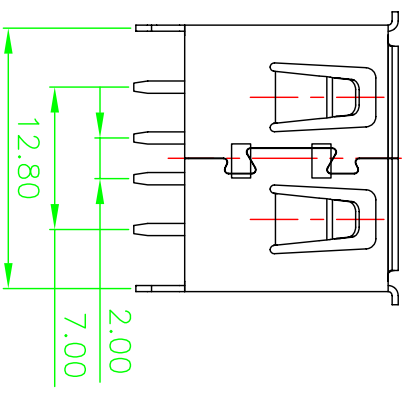
Parts Drawing

REVISIONS

SYM	ECN No.	MODIFICATION	DATE	ISSUED



1	907-212A1021Y102	5
2		6
3		7
4		8



Note:

- Material:
 - Housing: High temperature thermoplastic with/black g.f.U194v-0
 - Contact: copper alloy,t=0.25mm
 - Shell: copper/Ferroalloy alloy,t=0.30mm
- Specification:
 - Current rating:1.5A Max.
 - Dielectric withstanding voltage: 100 V(ac) for 1 min.
 - Contact resistance: 30 mΩ Max.
 - Insulation resistance: 100 MΩ Min.
 - Total mating force: 3.57 Kgf Max.
 - Total unmating force: 1.0 Kgf Min.
- Finish:
 - Contact: Plated Gold in Mating Area: Tin On Solder Tails
 - Shell: Nickel Plating
- Environmental:
 - Temperature range: -55°C~85°C

PART ON:

- 907-222AXXXXY1Y1XX
 - 电鍍規格: 02,鍍金1u" 04,鍍金3u" 07,鍍金15u" 08,鍍金30u"
 - 端子材料: 1,青銅 2,磷銅
 - 端子規格: D,90度 Y,180度 S,SMT貼板
 - 塑殼類型: 1,双层壳体 2,双层半包
 - 塑殼顏色: 01,白色 02,黑色 03,本色
- 對插方向: A,正向 B,反向
- 外壳材料: 1,铁壳 2,铜壳
- 插口类型: 1,有边平弹 2,无边平弹
- 外壳脚型: 1,弯脚 2,直脚 3,无脚
- 类别: 双层系列

晶 深圳市精拓金电子有限公司

DRAWN	TITLE	PART NO.	SCALE	SHEET	SIZE	REV.
CHECKED	USB AF 10.5短体双层直脚	SEE PART ON	1:1	1	A4	X1
APPROVED	有边	DRAWING NO.				
		R907212A1021Y102				
	TOLERANCE					
	.XXX±.10, .XX±.25, .X±.38, ANG±5°					
	3rd ANGLE PROJECTION	UNIT				
		mm				