

MAPX	MODIFICATION	DATE
------	--------------	------

NOTES:
 1. HOUSING: SEE NOTES, UJ94V-0.
 TERMINAL: SEE NOTES.
 SHELL: SEE NOTES.

SPECIFICATION:

1. ELECTRICAL CHARACTERISTIC:

Current rating: 3.0A Max
 CONTACT RESISTANCE: 30MΩ MAX
 DIELECTRIC WITHSTANDING VOLTAGE: 500V AC FOR 1MIN
 INSULATION RESISTANCE: 1000MΩ MIN

2. MECHANICAL CHARACTERISTIC:

INSERTION FORCE: 35N(3.57KGF) MAX
 EXTRACTION FORCE: 10~35N(1.02~3.57KGF) MIN
 DURABILITY: 1500 CYCLES EXTRACTION FORCE: 10~35N
 5000 CYCLES MIN

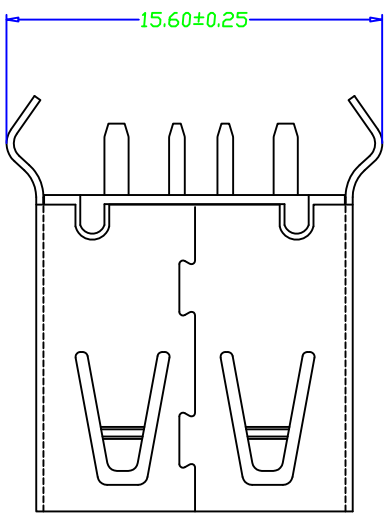
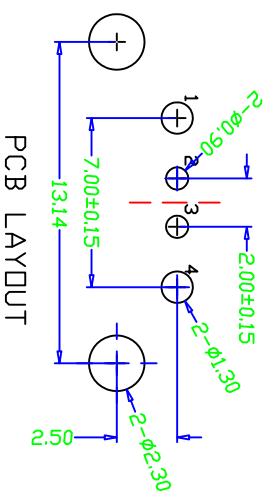
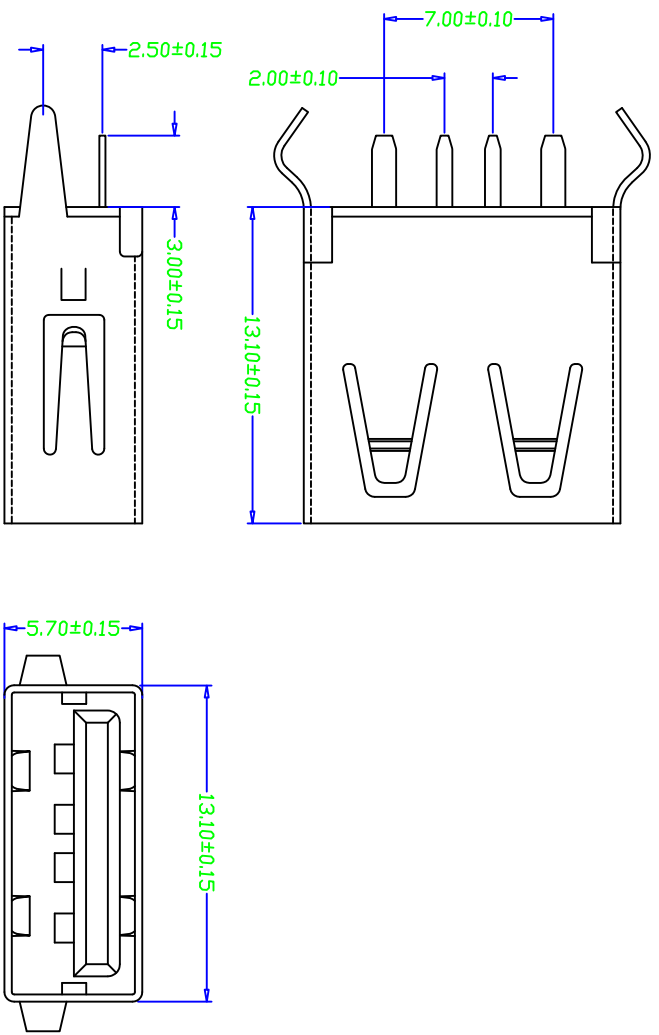
5000 CYCLES EXTRACTION FORCE: 3~35N

3. ENVIRONMENTAL:

OPERATING TEMPERATURE: -55°C+85°C

4. Contact finish:

- 01: Selective Gold Flash
- 02: Selective Gold 3U"
- 03: Selective Gold 5U"
- 04: Selective Gold 15U"
- 05: Selective Gold 30U"



深圳市精拓金电子有限公司

产品图

PRODUCT CHART DWG

公差一览表

TOLERANCE UNLESS OTHERWISE	公差
X. ±0.25	X. ±5°
X. ±0.20	X. ±2°
XX ±0.15	XX ±1°
XXX ±0.10	XXX ±0.5°

单位	MM	制图	Z-Y-B	制料号	
UNITS	MM	DRAWING	Z-Y-B	PRODUCT PART NO.	
比例	1:1	审核		产品名称	USB A/F 180度插板式无边 (13.1)
SCALE	1:1	CHKD		PRODUCT NO.	
日期	2014.07.24	核准		角法	版本
DATE	2014.07.24	APRD		VIEW	VER
					AD