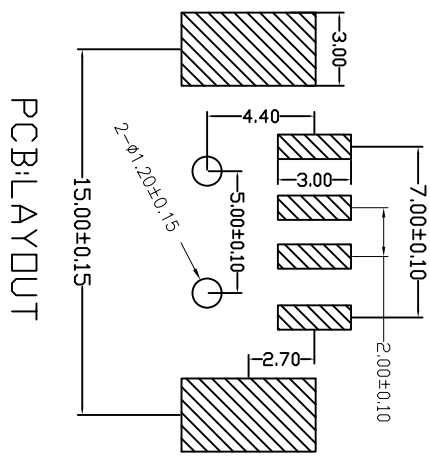
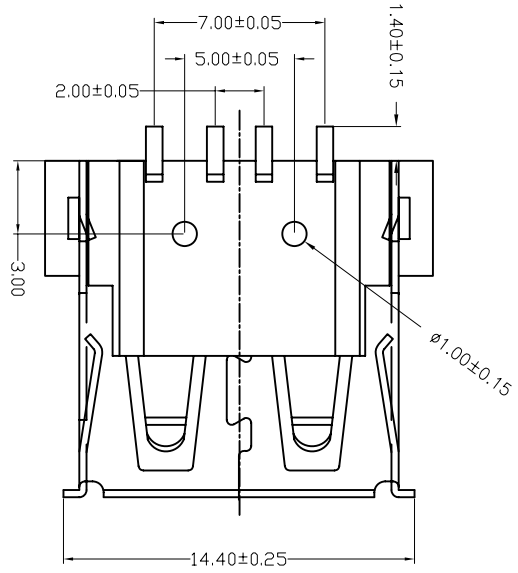
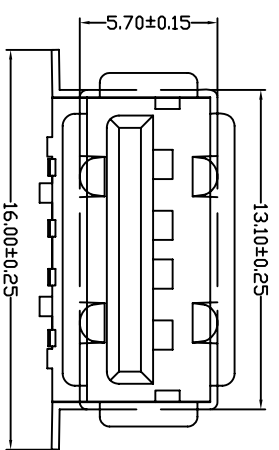
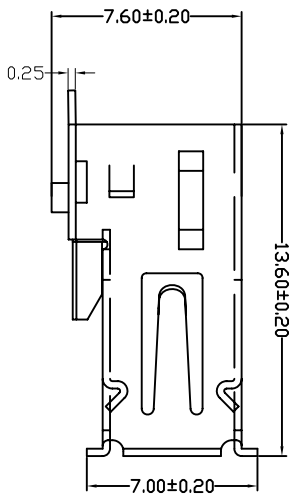


目錄 MAPX	變更內容 MODIFICATION	日期 DATE
Δ	側彈變更	2013. 3. 10



NOTES:

Housing: Thermoplastics, UL94V-0

Contact: Copper Alloy

Shell: Copper Alloy/Steel

Voltage Current Rating: 1.5 AMP. 30V AC

Insulation Resistance: 1000MΩ Min.

Contact Resistance: 30 MΩ Max.

Dielectric Withstanding Voltage: 500W AC

Temperature Range: -35°C to +85°C

Insulator color: Black/White

Plastic material: PBT/LCP/Others

Shell finish: Nickel plated/Tin-Lead plated

Mechanical:

Mating Force: 3.5KG MAX

Umating Force: 0.7 KG MIN.

Contact finish:

01: Selective Gold Flash

02: Selective Gold 3U”

03: Selective Gold 5U”

04: Selective Gold 15U”

05: Selective Gold 30U”

备注：侧弹分为外弹与内弹

深圳市精拓金电子有限公司

产品图 PRODUCT CHART DWG		单位 UNITS		MM	制图 DRAWING	Z-Y-B	产品料号 PRODUCT PART NO.	
公差一览表 TOLERANCE UNLESS OTHERWISE		比例 SCALE		1:1	审核 CHECK	雷永键	产品名称 PRODUCT NAME	USB A母插座方脚有柱
X	±0.25	X'	±5°		日期 DATE	2009. 10. 20	角法 VIEW	⊕ ⊖
XX	±0.20	X''	±2°		核准 APPD	雷永键	版本 VER	A0
.XXX	±0.10	.XXX'	±1°					
			±0.5°					