

ROHS

REVISIONS			
SYM	ECN No.	MODIFICATION	DATE

Note:

1. Material:

1.1, Housing: High temperature thermoplastic with/black g.f, UL94v-0

1.2, Contact: copper alloy, t=0.25mm

1.3, Shell: copper/Ferroalloy alloy, t=0.30mm

2. Specification:

2.1, Current rating: 3A Max.

2.2, Dielectric withstanding voltage: 100 V(ac) for 1 min.

2.3, Contact resistance: 30 mΩ Max.

2.4, Insulation resistance: 100 MΩ Min.

2.5, Total mating force: 3.57 Kgf Max.

2.6, Total unmating force: 1.0 Kgf Min.

3. Finish:

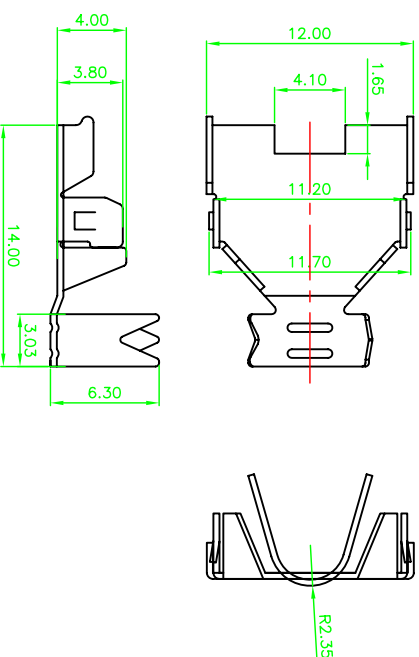
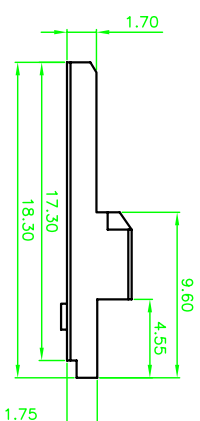
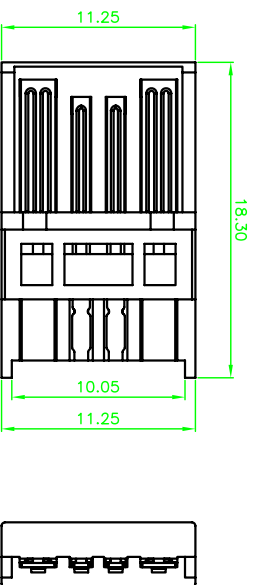
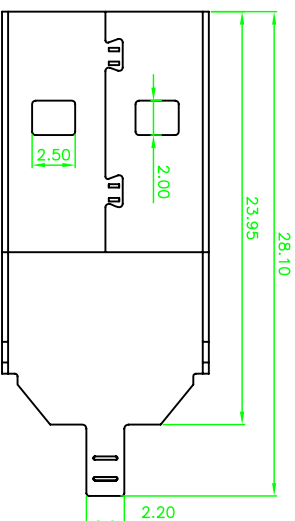
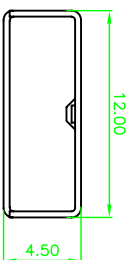
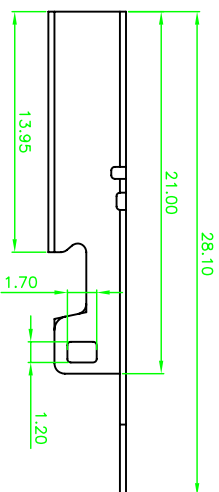
3.1, Contact: Plated Gold in Mating Area;

Tin On Solder Tails

Shell: Nickel Plating

4. Environmental:

4.1, Temperature range: -55°C~85°C



深圳市精拓金电子有限公司

DRAWN

CHECKED

APPROVED

TITLE

USB AM 大电流三件套
28. 10mm

PART NO.

DRAWING NO.



3rd ANGLE PROJECTION

UNIT

mm

TOLERANCE

.XXX±.10, .XX±.15, .X±.25, ANG±1°

SCALE

1:1

SHEET

1 OF 1

SIZE

A4

REV.

X1