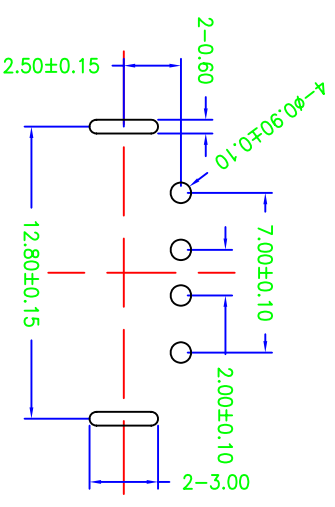
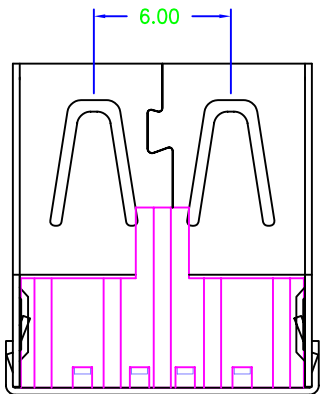
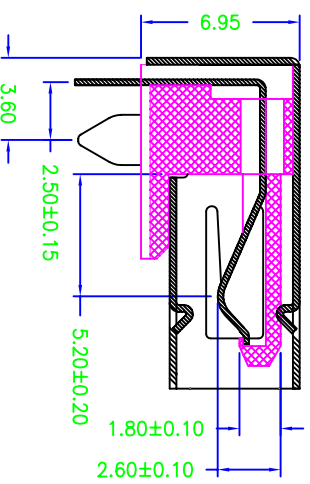
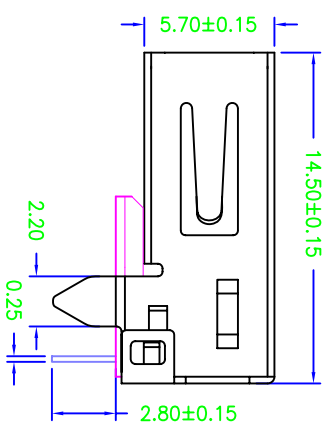
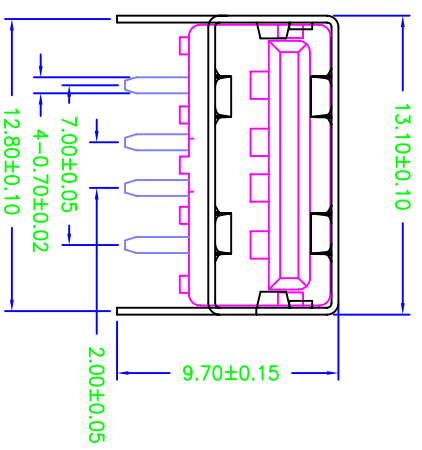


|      |              |      |
|------|--------------|------|
| MAPX | MODIFICATION | DATE |
|------|--------------|------|



**NOTES:**

- Housing: Thermoplastics, UL 94V-0
- Contact: Copper Alloy
- Shell: Copper Alloy/Steel
- Voltage Current Rating: 1.5 AMP, 30V AC
- Insulation Resistance: 1000MΩ Min.
- Contact Resistance: 30 MΩ Max.
- Dielectric Withstanding Voltage: 500W AC
- Temperature Range: -35°C to +85°C
- Insulator color: Black/White
- Plastic material: PBT/LCP/Others
- Shell finish: Nickel plated/Tin-Lead plated
- Mechanical:
  - Mating Force: 3.5KG MAX
  - Umating Force: 0.7 KG MIN.
  - Contact finish:
    - 01: Selective Gold Flash
    - 02: Selective Gold 3U”
    - 03: Selective Gold 5U”
    - 04: Selective Gold 15U”
    - 05: Selective Gold 30U”

**产品图**  
PRODUCT CHART DIM

**公差一览表**  
TOLERANCE UNLESS OTHERWISE:

|      |       |      |       |
|------|-------|------|-------|
| X    | ±0.25 | X    | ±5.°  |
| .X   | ±0.20 | .X   | ±2.°  |
| .XX  | ±0.15 | .XX  | ±1.°  |
| .XXX | ±0.10 | .XXX | ±0.5° |

**深圳市精拓金电子有限公司**

|    |            |    |       |      |                |
|----|------------|----|-------|------|----------------|
| 单位 | MM         | 制图 | Z-Y-B | 制图料号 |                |
| 比例 | 1:1        | 审核 |       | 产品名称 | USB A/F外扣14.50 |
| 日期 | 2013.07.25 | 核准 |       | 角法   |                |
|    |            |    |       | 版本   | A0             |

RBCOMMENDBD P.C.B PATTBRN LAYD UT