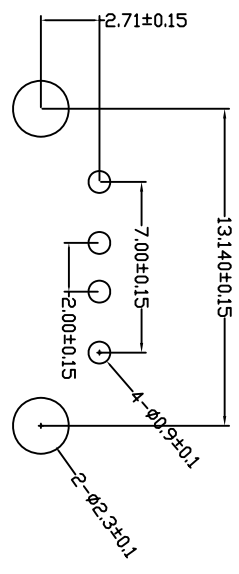
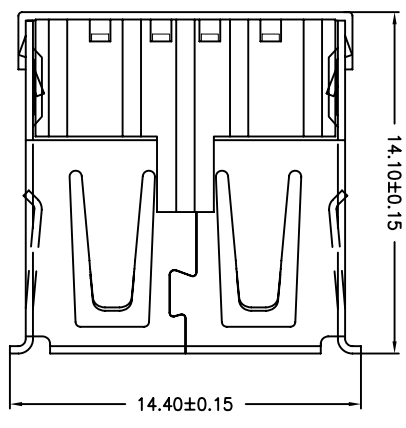
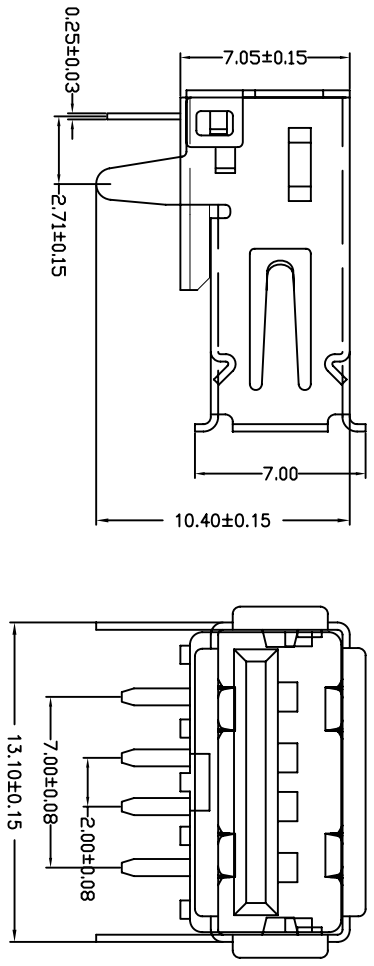


目錄 MAPX	變更內容 MODIFICATION	日期 DATE
------------	----------------------	------------



RECOMMENDED P.C.B PATTERN LAYOUT

备注：侧弹分为外弹与内弹

- NOTES:
- Housing: Thermoplastics, UL94V-0
  - Contact: Copper Alloy
  - Shell: Copper Alloy/Steel
  - Voltage Current Rating: 1.5 AMP. 30V AC
  - Insulation Resistance: 1000MΩ Min.
  - Contact Resistance: 30 MΩ Max.
  - Dielectric Withstanding Voltage: 500W AC
  - Temperature Range: -35°C to +85°C
  - Insulator color: Black/White
  - Plastic material: PBT/LCP/Others
  - Shell finish: Nickel plated/Tin-Lead plated
  - Mechanical:
  - Mating Force: 3.5KG MAX
  - Umating Force: 0.7 KG MIN.
  - Contact finish:
  - 01: Selective Gold Flash
  - 02: Selective Gold 3U”
  - 03: Selective Gold 5U”
  - 04: Selective Gold 15U”
  - 05: Selective Gold 30U”

产品图  
PRODUCT CHART DWG

深圳市精拓金电子有限公司

公差一览表 TOLERANCE UNLESS OTHERWISE		单位 UNITS	MM	制图 DRAWING	Z-Y-B	产品料号 PRODUCT PART NO.	JTJ-USB-AF-06
X	±0.25	X'	±5'	比例 SCALE	1:1	产品名称 PRODUCT NAME	USB-AF外扣有边直脚
.XX	±0.15	.XX'	±2'	日期 DATE	2014/10/20	角法 VIEW	⊕ ⊖
.XXX	±0.10	.XXX'	±0.5'	核准 APPD		版本 VER	A0