

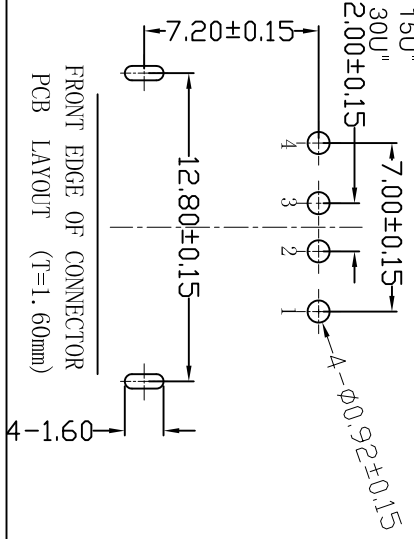
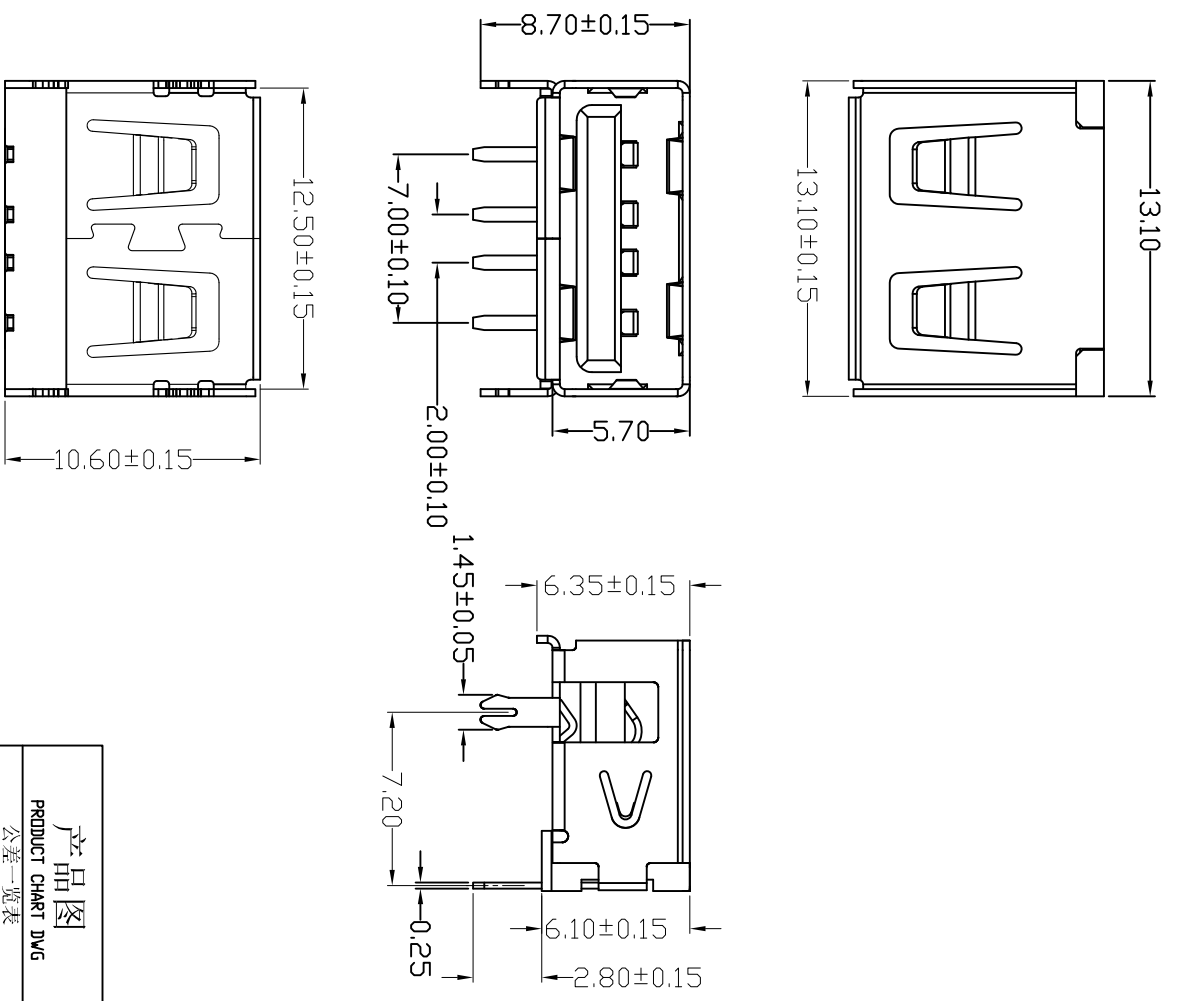
MAPX	MODIFICATION	DATE
------	--------------	------

NOTES:
 1. HOUSING: SEE NOTES, TERMINAL: SEE NOTES, SHELL: SEE NOTES.
 SPECIFICATION:

1. ELECTRICAL CHARACTERISTIC:
 CONTACT RESISTANCE: 30MΩ MAX
 DIELECTRIC WITHSTANDING VOLTAGE: 500V AC FOR 1MIN
 INSULATION RESISTANCE: 1000MΩ MIN
 2. MECHANICAL CHARACTERISTIC:
 INSERTION FORCE: 35N(3.57KGF) MAX
 EXTRACTION FORCE: 10~35N(1.02~3.57KGF)MIN
 DURABILITY: 1500 CYCLES EXTRACTION FORCE:10~35N
 5000 CYCLES MIN

3. ENVIRONMENTAL:
 OPERATING TEMPERATURE: -55°C+85°C
 4. Contact finish:

- 01: Selective Gold Flash
- 02: Selective Gold 3U"
- 03: Selective Gold 5U"
- 04: Selective Gold 15U"
- 05: Selective Gold 30U"



产品图
 PRODUCT CHART DWG

深圳市精拓金电子有限公司

公差一览表		制图		制图料号	
TOLERANCE UNLESS OTHERWISE	UNITS	DRAWING	PRODUCT PART NO.	PRODUCT NAME	USB A/F 10.6前两脚 (方弹)
X. ±0.25	X.	审核	CHKO	产品名称	数字单卷边
.X. ±0.20	X.	比例	1:1	DATE	20150601
.XX ±0.15	.XX	日期	20150601	核准	APPD
.XXX ±0.10	.XXX	±0.5°		版本	AD

1 2 3 4 5 6 7 8 9 10

A B C D E F G