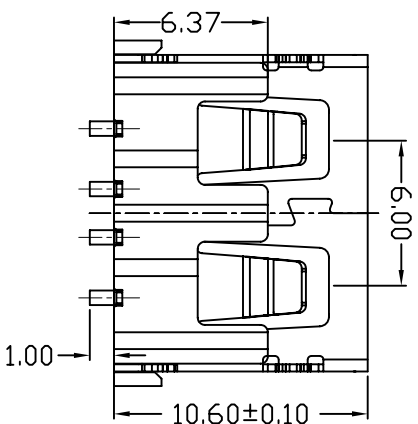
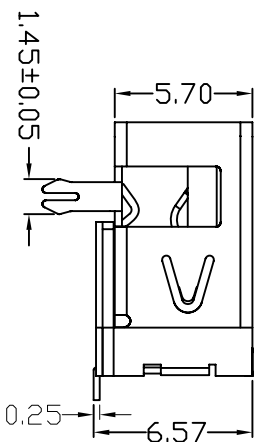
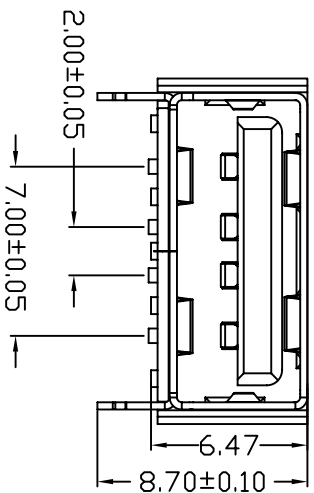
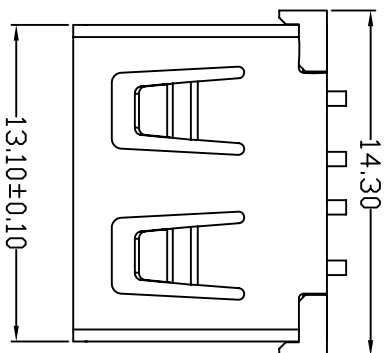


# D款, 正向10.6前两脚, SMT-\*6.50



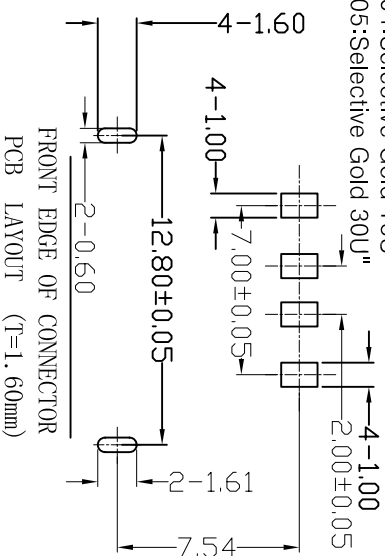
MAPX	MODIFICATION	DATE
------	--------------	------

NOTES:  
 1. HOUSING: SEE NOTES, UL94V-0.  
 TERMINAL: SEE NOTES.  
 SHELL: SEE NOTES.

SPECIFICATION:  
 1. ELECTRICAL CHARACTERISTIC:  
 CONTACT RESISTANCE: 30MΩ MAX  
 DIELECTRIC WITHSTANDING VOLTAGE: 500V AC FOR 1MIN  
 INSULATION RESISTANCE: 1000MΩ MIN  
 2. MECHANICAL CHARACTERISTIC:  
 INSERTION FORCE: 35N(3.57KGF) MAX  
 EXTRACTION FORCE: 10~35N(1.02~3.57KGF)MIN  
 DURABILITY: 1500 CYCLES EXTRACTION FORCE:10~35N  
 5000 CYCLES MIN

3. ENVIRONMENTAL:  
 OPERATING TEMPERATURE: -55°C+85°C

4. Contact finish:  
 01: Selective Gold Flash  
 02: Selective Gold 3U"  
 03: Selective Gold 5U"  
 04: Selective Gold 15U"  
 05: Selective Gold 30U"



## 产品图

## 深圳市精拓金电子有限公司

公差一览表		制图		制图料号	
TOLERANCE UNLESS OTHERWISE	UNITS	DRAWING	Z-Y-B	PRODUCT PART NO.	JTY-USB-10.6-002
X ±0.15	X	MM	1:1	产品名称	USB A/F 10.6正向前两脚鱼叉(方弹)
XX ±0.10	X	SCALE	1:1	PRODUCT NO.	
XXX ±0.05	XX	DATE	20120924	角法	
XXX ±0.03	XXX	APPRO	核准	VER	版本
					AD

A B C D E F G

A B C D E F G

1 2 3 4 5 6 7 8 9 10