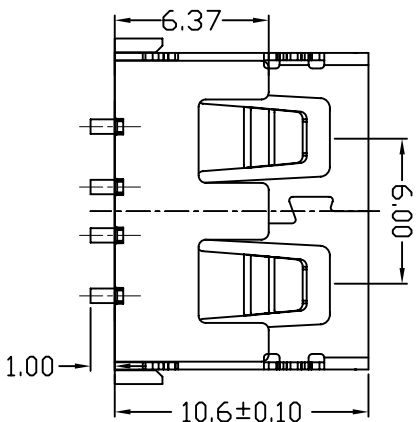
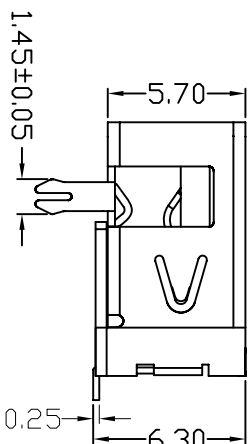
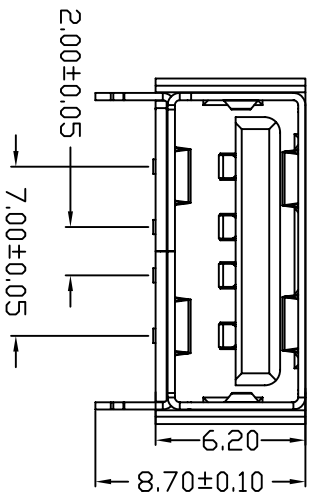
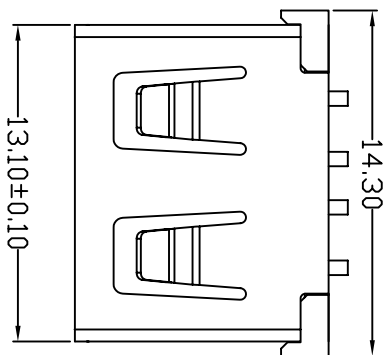


D款，正向10.6前两脚，SMT-*6.20



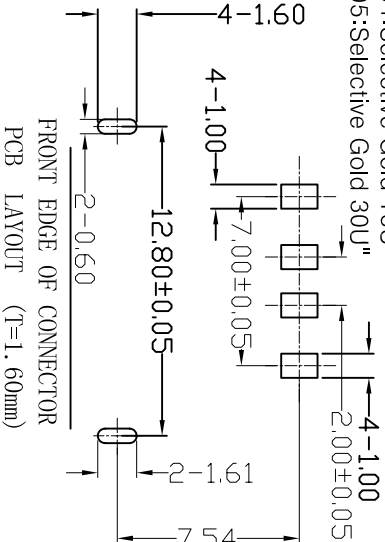
MAPX	MODIFICATION	DATE
------	--------------	------

NOTES:
 1. HOUSING: SEE NOTES, UL94V-0.
 TERMINAL: SEE NOTES.
 SHELL: SEE NOTES.

SPECIFICATION:
 1. ELECTRICAL CHARACTERISTIC:
 CONTACT RESISTANCE: 30MΩ MAX
 DIELECTRIC WITHSTANDING VOLTAGE: 500V AC FOR 1MIN
 INSULATION RESISTANCE: 1000MΩ MIN
 2. MECHANICAL CHARACTERISTIC:
 INSERTION FORCE: 35N(3.57KGF) MAX
 EXTRACTION FORCE: 10~35N(1.02~3.57KGF)MIN
 DURABILITY: 1500 CYCLES EXTRACTION FORCE:10~35N
 5000 CYCLES MIN

3. ENVIRONMENTAL:
 OPERATING TEMPERATURE: -55°C+85°C

4. Contact finish:
 01: Selective Gold Flash
 02: Selective Gold 3U"
 03: Selective Gold 5U"
 04: Selective Gold 15U"
 05: Selective Gold 30U"



产品图

深圳市精拓金电子有限公司

公差一览表		制图		制图料号	
TOLERANCE UNLESS OTHERWISE		DRAWING		PRODUCT PART NO	
X	±0.15	X	±5°	JTJ-1USB-10.6-002	
X	±0.10	X	±2°	产品名称	
XX	±0.05	XX	±1°	USB A/F 10.6正向前两脚鱼叉(方弹)	
XXX	±0.03	XXX	±0.5°	日期	20120924
				审核	核准
				DATE	APPD

G 1 2 3 4 5 6 7 8 9 10 G

F

E

D

C

B

A