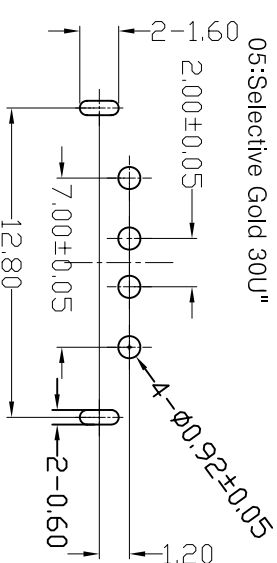
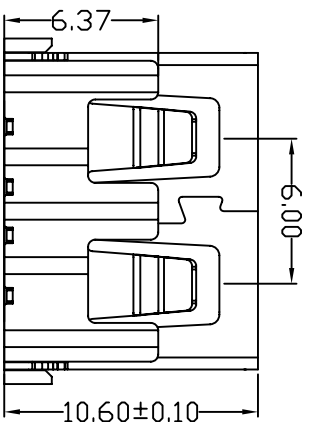
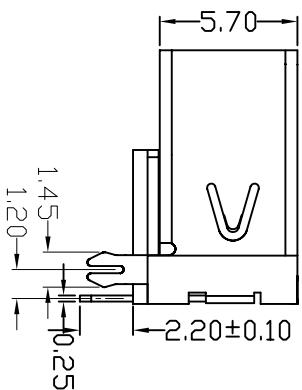
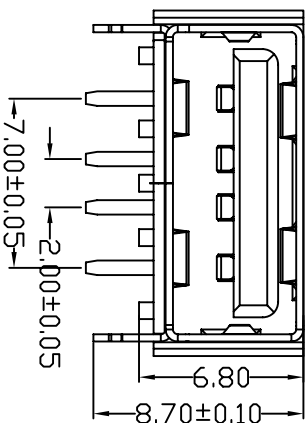
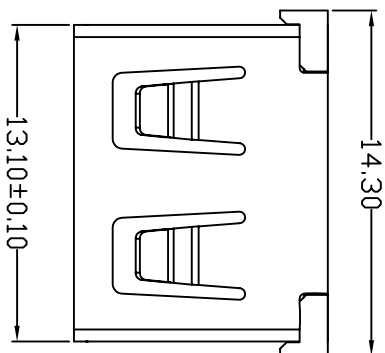


D款，正向10.6后两脚，DIP-*6.80



FRONT EDGE OF CONNECTOR
PCB LAYOUT (T=1.60mm)

NOTES:
1. HOUSING: SEE NOTES, UL94V-0.
TERMINAL: SEE NOTES.
SHELL: SEE NOTES.

SPECIFICATION:

1. ELECTRICAL CHARACTERISTIC:
CONTACT RESISTANCE: 30MΩ MAX
DIELECTRIC WITHSTANDING VOLTAGE: 500V AC FOR 1MIN
INSULATION RESISTANCE: 1000MΩ MIN

2. MECHANICAL CHARACTERISTIC:
INSERTION FORCE: 35N(3.57KGF) MAX
EXTRACTION FORCE: 10~35N(1.02~3.57KGF)MIN
DURABILITY: 1500 CYCLES EXTRACTION FORCE: 10~35N
5000 CYCLES MIN

3. ENVIRONMENTAL:
OPERATING TEMPERATURE: -55°C+85°C

4. Contact finish:

- 01: Selective Gold Flash
- 02: Selective Gold 3U"
- 03: Selective Gold 5U"
- 04: Selective Gold 15U"
- 05: Selective Gold 30U"

产品图

深圳市精拓金电子有限公司

PRODUCT CHART DWG

公差一览表

TOLERANCE	UNLESS OTHERWISE	OTHERWISE
X	±0.15	±5°
X	±0.10	±2°
XX	±0.05	±1°
XXX	±0.03	±0.5°

单位	MM	制图	Z-Y-B	制图料号	JTJ-USB-10.6-002
UNITS	MM	DRAWING	Z-Y-B	PRODUCT PART NO.	JTJ-USB-10.6-002
比例	1:1	审核	CHD	产品名称	USB A/F 10.6无边后两脚鱼叉(方弹)
日期	20120924	核准	APPD	角法	版本
DATE	20120924	核准	APPD	角法	VER
				角法	AD