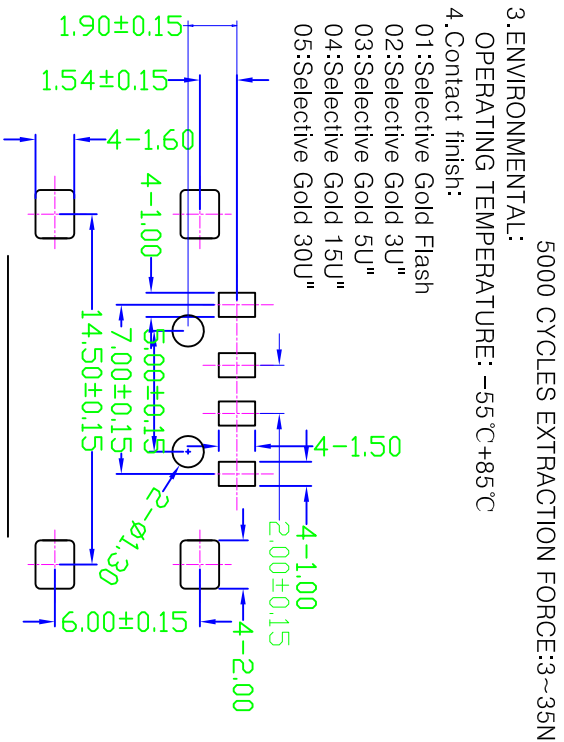
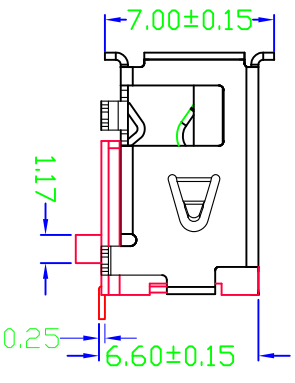
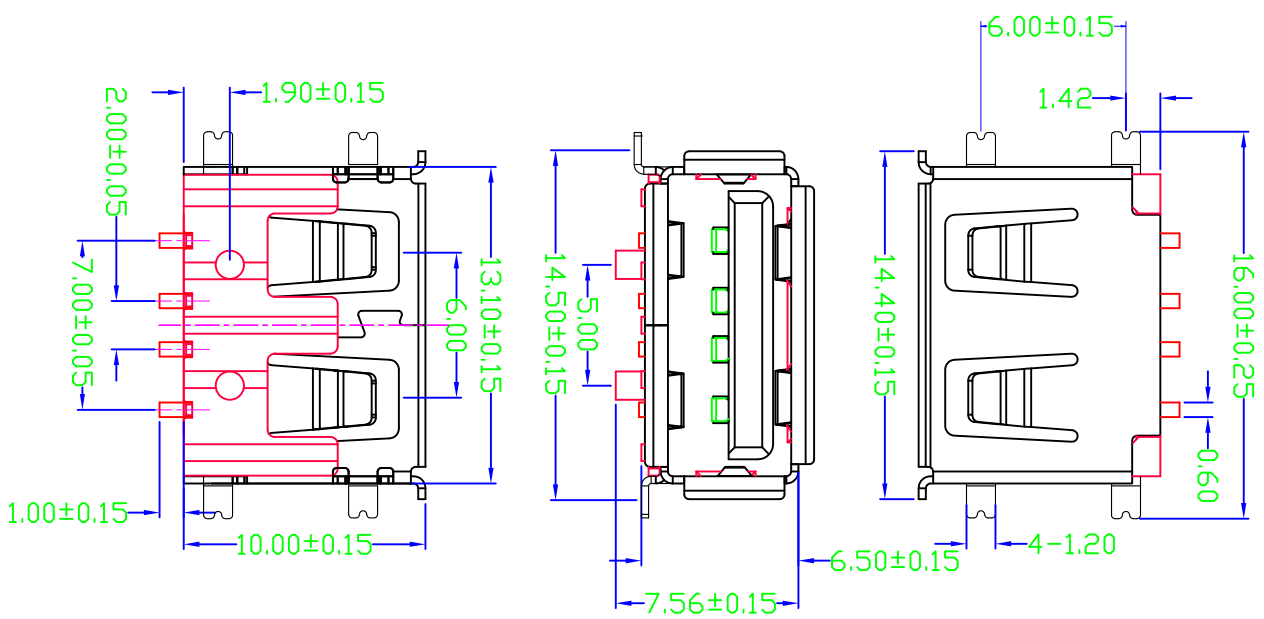


正向10.0全贴/6.50



FRONT EDGE OF CONNECTOR
PCB LAYOUT

NOTES:
1. HOUSING: SEE NOTES, UL94V-0 .
TERMINAL: SEE NOTES.
SHELL: SEE NOTES.

SPECIFICATION:

1. ELECTRICAL CHARACTERISTIC:
CONTACT RESISTANCE: 30MΩ MAX
DIELECTRIC WITHSTANDING VOLTAGE: 500V AC FOR 1MIN
INSULATION RESISTANCE: 1000MΩ MIN
2. MECHANICAL CHARACTERISTIC:
INSERTION FORCE: 35N(3.57KGF) MAX
EXTRACTION FORCE: 10~35N(1.02~3.57KGF)/MIN
DURABILITY: 1500 CYCLES EXTRACTION FORCE: 10~35N
5000 CYCLES MIN
3. ENVIRONMENTAL:
OPERATING TEMPERATURE: -55°C+85°C
4. Contact finish:
01: Selective Gold Flash
02: Selective Gold 3U"
03: Selective Gold 5U"
04: Selective Gold 15U"
05: Selective Gold 30U"

产品图
PRODUCT CHART DWG

深圳市精拓金电子有限公司

公差一览表		TOLERANCE UNLESS OTHERWISE	
X	±0.25	X	±5°
X	±0.20	X	±2°
XX	±0.15	XX	±1°
XXX	±0.10	XXX	±0.5°

单位	MM	制图	Z-Y-B	制图料号	JTY-1USB-10.0/SMT-001
比例	1:1	审核		产品名称	USB A/F 10.0有边金属6.5(方弹)
日期	2015/04/24	核准		产品NO	
DATE		APRD		角法	
				版本	AD
				VER	

MAPX	MODIFICATION	DATE
------	--------------	------