

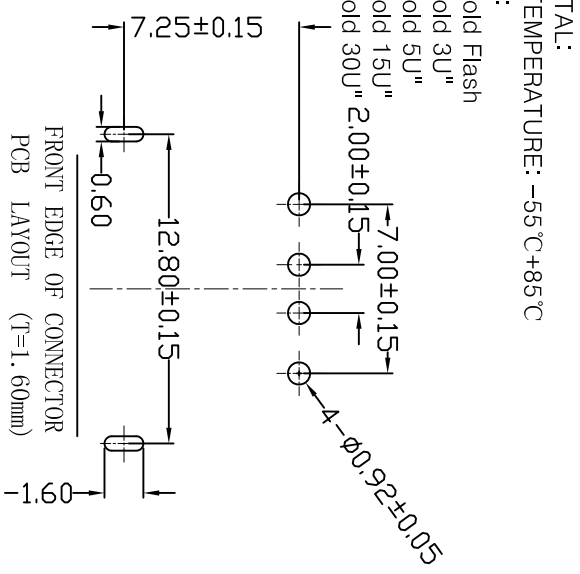
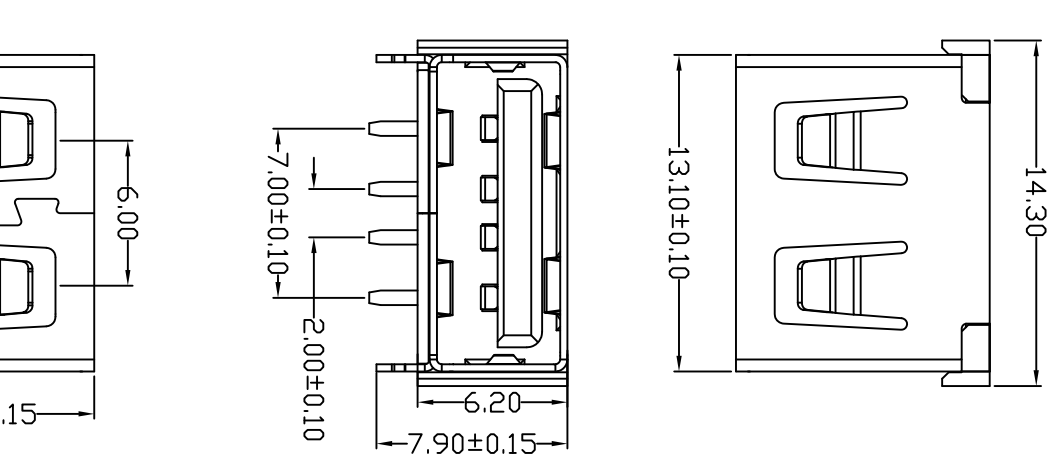
| | | |
|------|--------------|------|
| MAPX | MODIFICATION | DATE |
|------|--------------|------|

NOTES:
 1. HOUSING: SEE NOTES, UL94V-0 .
 TERMINAL: SEE NOTES.
 SHELL: SEE NOTES.

SPECIFICATION:
 1. ELECTRICAL CHARACTERISTIC:
 CONTACT RESISTANCE: 30MΩ MAX
 DIELECTRIC WITHSTANDING VOLTAGE: 500V AC FOR 1MIN
 INSULATION RESISTANCE: 1000MΩ MIN
 2. MECHANICAL CHARACTERISTIC:
 INSERTION FORCE: 35N(3.57KGF) MAX
 EXTRACTION FORCE: 10~35N(1.02~3.57KGF)MIN
 DURABILITY: 1500 CYCLES EXTRACTION FORCE:10~35N
 5000 CYCLES MIN

3. ENVIRONMENTAL:
 OPERATING TEMPERATURE: -55°C+85°C

4. Contact finish:
 01: Selective Gold Flash
 02: Selective Gold 3U"
 03: Selective Gold 5U"
 04: Selective Gold 15U"
 05: Selective Gold 30U" 2.00±0.15



产品图
 PRODUCT CHART DWG

深圳市精拓金电子有限公司

| | | | |
|-------|------------------|----------------------------|------------------------|
| 公差一览表 | | TOLERANCE UNLESS OTHERWISE | |
| X | ±0.25 | X | ±5° |
| X | ±0.20 | X | ±2° |
| XX | ±0.15 | XX | ±1° |
| XXX | ±0.10 | XXX | ±0.5° |
| 单位 | MM | 制图 | Z-Y-B |
| 比例 | 1:1 | 审核 | |
| 日期 | 2014.03.24 | 核准 | |
| DATE | | APPR | |
| 制图料号 | PRODUCT PART NO. | 产品名称 | USB A/F 10.6有边前四脚 (E款) |
| 角法 | VIEW | 版本 | AD |