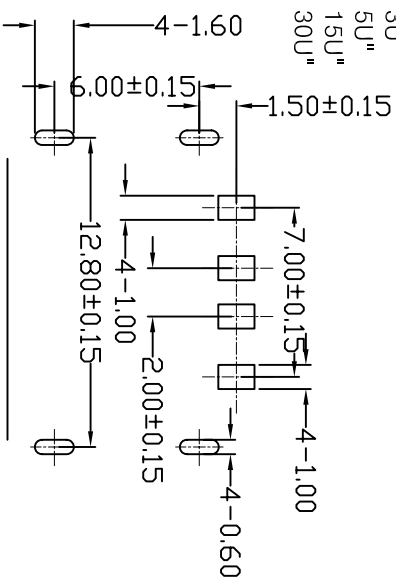
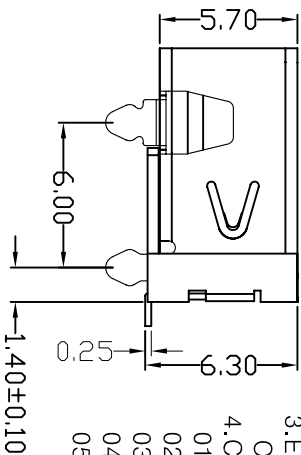
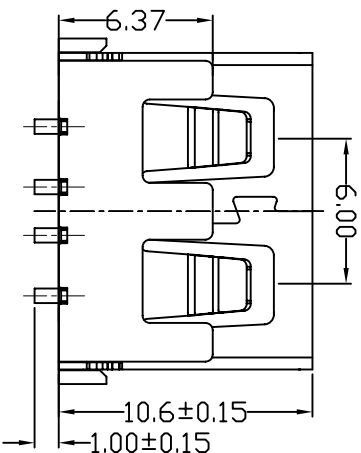
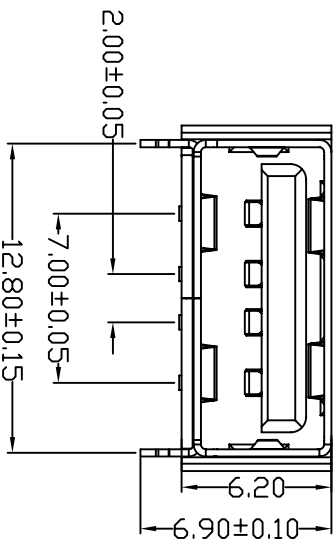
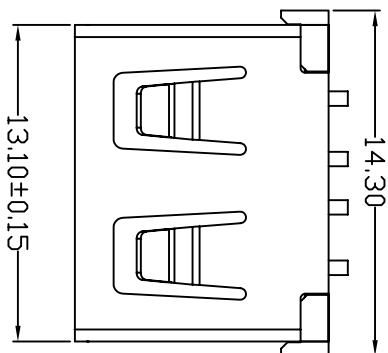


# E款，正向10.6四脚，SMT-\*6.20



FRONT EDGE OF CONNECTOR  
PCB LAYOUT (T=1.60mm)

NOTES:  
1. HOUSING: SEE NOTES, UL94V-0.  
TERMINAL: SEE NOTES.  
SHELL: SEE NOTES.  
SPECIFICATION:

1. ELECTRICAL CHARACTERISTIC:  
CONTACT RESISTANCE: 30MΩ MAX  
DIELECTRIC WITHSTANDING VOLTAGE: 500V AC FOR 1MIN  
INSULATION RESISTANCE: 1000MΩ MIN

2. MECHANICAL CHARACTERISTIC:  
INSERTION FORCE: 35N(3.57KGf) MAX  
EXTRACTION FORCE: 10~35N(1.02~3.57KGf)MIN  
DURABILITY: 1500 CYCLES EXTRACTION FORCE:10~35N  
5000 CYCLES MIN

3. ENVIRONMENTAL:  
OPERATING TEMPERATURE: -55°C+85°C  
5000 CYCLES EXTRACTION FORCE:3~35N

4. Contact finish:  
01: Selective Gold Flash  
02: Selective Gold 3U"  
03: Selective Gold 5U"  
04: Selective Gold 15U"  
05: Selective Gold 30U"

## 产品图

## 深圳市精拓金电子有限公司

公差一览表		单位		制图		制图料号	
TOLERANCE	UNLESS OTHERWISE	UNITS	MM	DRAWING	Z-Y-B	PRODUCT PART NO	PRODUCT NAME
X	±0.25	X	±5°	审核		USB A/F 10.6有边前四脚 (E款)	
X	±0.20	X	±2°	CHKD			
XX	±0.15	XX	±1°	核准			
XXX	±0.10	XXX	±0.5°	APRD			
DATE		2014/03/24	角法		版本	AD	

MAPX	MODIFICATION	DATE