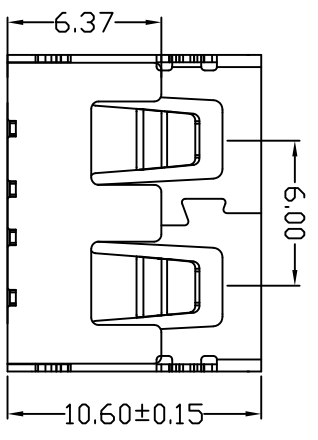
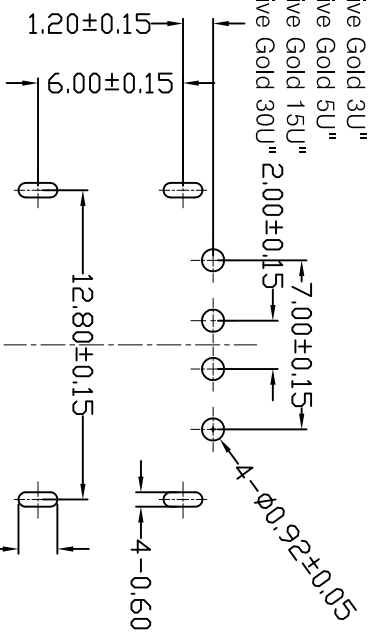
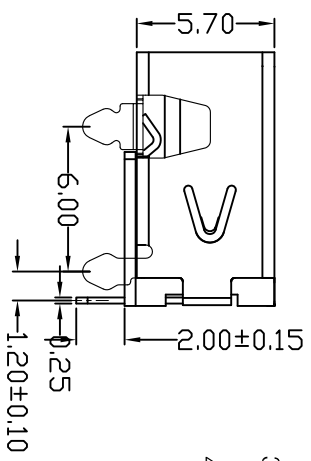
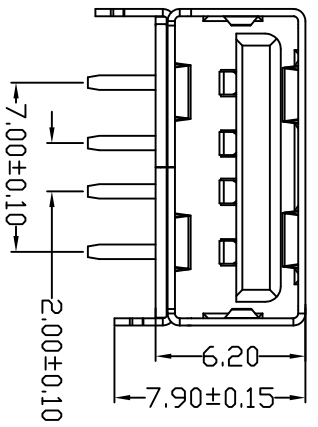
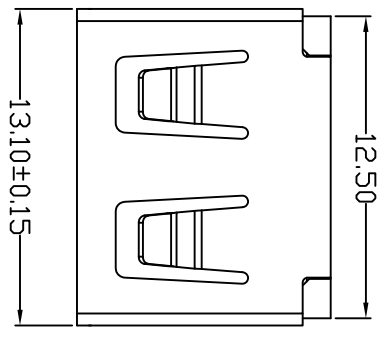


MAPX	MODIFICATION	DATE
------	--------------	------

NOTES:
 1. HOUSING: SEE NOTES, UL94V-0 .
 TERMINAL: SEE NOTES.
 SHELL: SEE NOTES.

SPECIFICATION:
 1. ELECTRICAL CHARACTERISTIC:
 CONTACT RESISTANCE: 30MΩ MAX
 DIELECTRIC WITHSTANDING VOLTAGE: 500V AC FOR 1MIN
 INSULATION RESISTANCE: 1000MΩ MIN
 2. MECHANICAL CHARACTERISTIC:
 INSERTION FORCE: 35N(3.57KGF) MAX
 EXTRACTION FORCE: 10~35N(1.02~3.57KGF)MIN
 DURABILITY: 1500 CYCLES EXTRACTION FORCE:10~35N
 5000 CYCLES MIN

3. ENVIRONMENTAL:
 OPERATING TEMPERATURE: -55°C+85°C
 4. Contact finish:
 01: Selective Gold Flash
 02: Selective Gold 3U"
 03: Selective Gold 5U"
 04: Selective Gold 15U"
 05: Selective Gold 30U" 2.00±0.15



深圳市精拓金电子有限公司

产品图
 PRODUCT CHART DWG
 公差一览表
 TOLERANCE UNLESS OTHERWISE

X	±0.25	X	±5°	单位	MM	制图	Z-Y-B	制图料号	
X	±0.20	X	±2°	比例	1:1	审核		产品名称	USB A/F 10.6无边前四脚 (E款)
XX	±0.15	XX	±1°	日期	2014.03.24	核准		PRODUCT NO	
XXX	±0.10	XXX	±0.5°	DATE		APPD		角法	
								版本	AD

