

MAPX	MODIFICATION	DATE
------	--------------	------

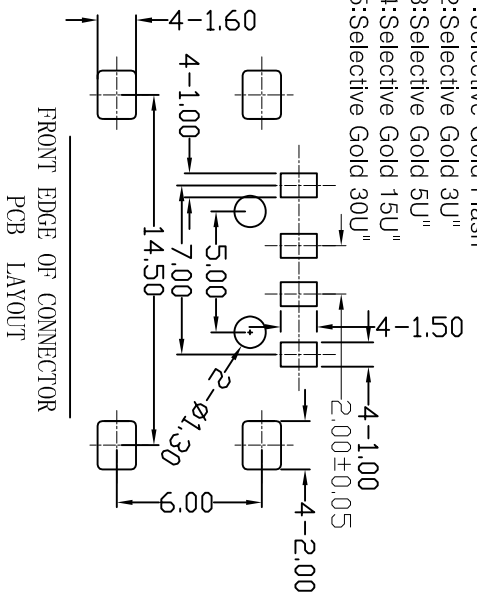
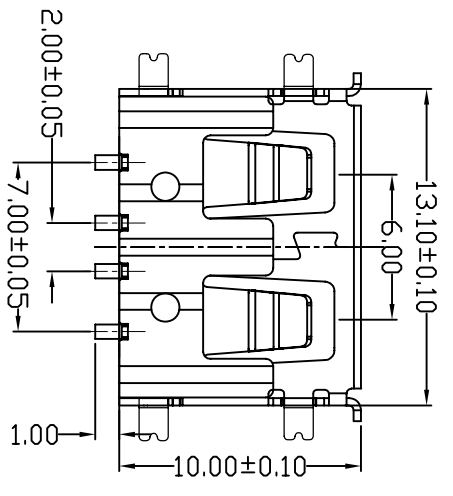
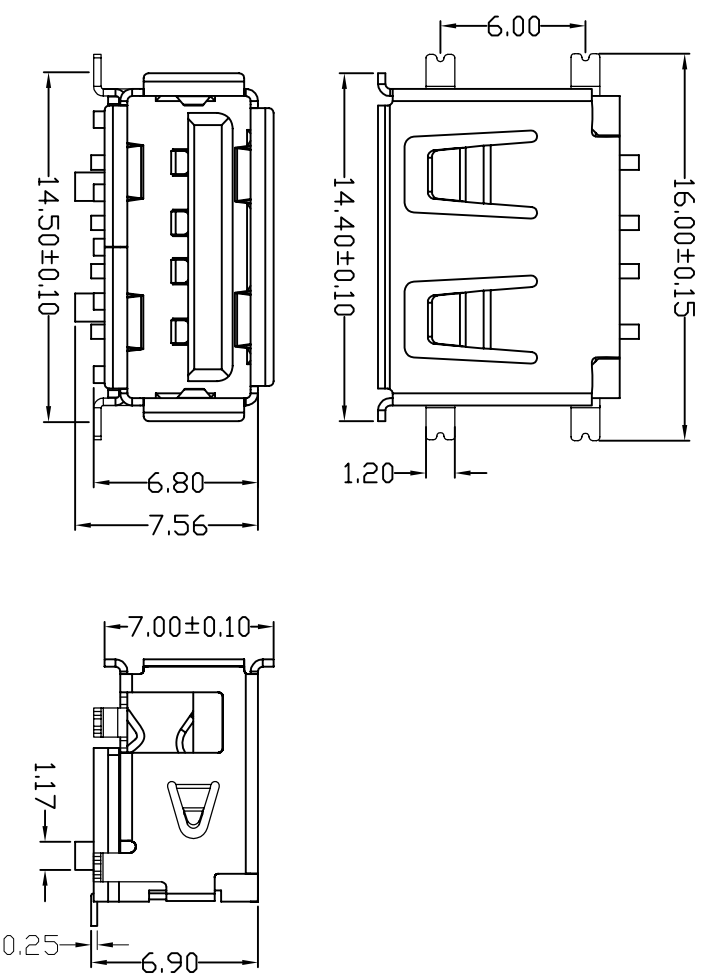
NOTES:
 1. HOUSING: SEE NOTES, UL94V-0.
 TERMINAL: SEE NOTES.
 SHELL: SEE NOTES.
 SPECIFICATION:

1. ELECTRICAL CHARACTERISTIC:
 CONTACT RESISTANCE: 30MΩ MAX
 DIELECTRIC WITHSTANDING VOLTAGE: 500V AC FOR 1MIN
 INSULATION RESISTANCE: 1000MΩ MIN

2. MECHANICAL CHARACTERISTIC:
 INSERTION FORCE: 35N(3.57KGF) MAX
 EXTRACTION FORCE: 10~35N(1.02~3.57KGF)MIN
 DURABILITY: 1500 CYCLES EXTRACTION FORCE:10~35N
 5000 CYCLES MIN

3. ENVIRONMENTAL:
 OPERATING TEMPERATURE: -55 °C+85 °C

4. Contact finish:
 01: Selective Gold Flash
 02: Selective Gold 3U"
 03: Selective Gold 5U"
 04: Selective Gold 15U"
 05: Selective Gold 30U"



FRONT EDGE OF CONNECTOR
PCB LAYOUT

产品图
公差一览表

深圳市精拓金电子有限公司

PRODUCT CHART DWG		制图料号		JTJ-USB-10.0/SMT-003	
TOLERANCE UNLESS OTHERWISE	公差一览表	UNIT	MM	DRAWING	Z-Y-B
X ±0.15	X ±5°	SCALE	1:1	审核	产品名称
XX ±0.10	X ±2°	DATE	2013/08/24	核准	USB A/F 10.0有边四脚鱼叉SMT (方弹)
XX ±0.05	XX ±1°	DATE	2013/08/24	APPD	版本
XXX ±0.03	XXX ±0.5°				AD

