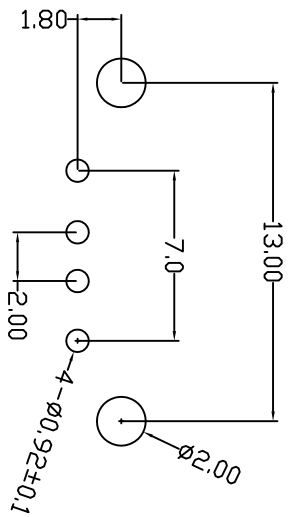
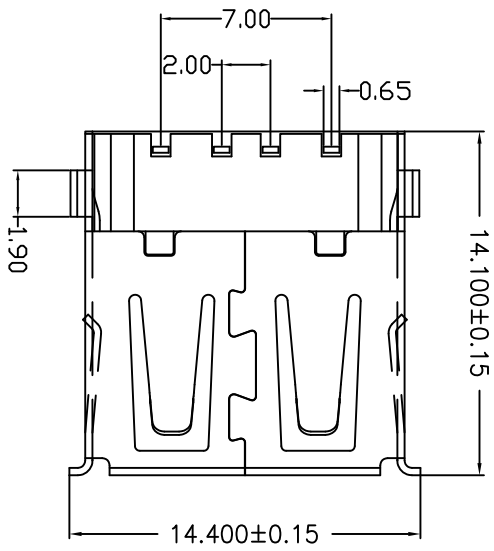
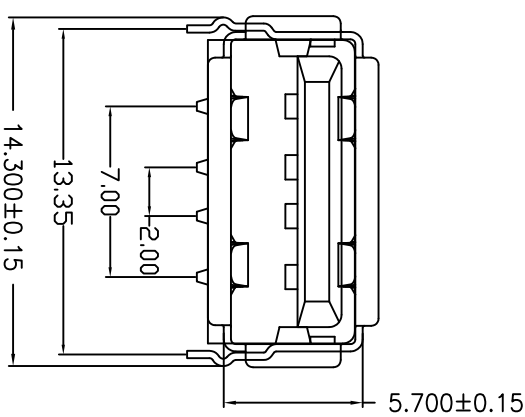
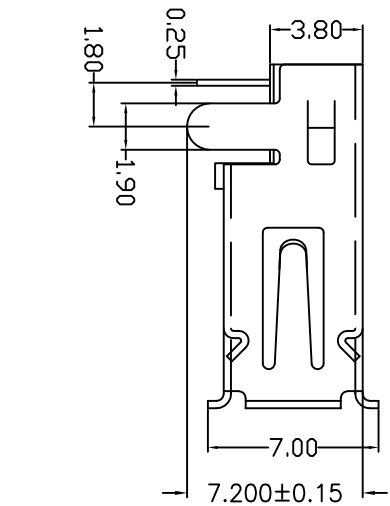


目錄 MAPX	設定內容 MODIFICATION	日期 DATE
------------	----------------------	------------



RECOMMENDED P.C.B LAYOUT

NOTES:

- Housing: Thermoplastics, UL94V-0
- Contact: Copper Alloy
- Shell: Copper Alloy/Steel
- Voltage Current Rating: 1.5 AMP. 30V AC
- Insulation Resistance: 1000MΩ Min.
- Contact Resistance: 30 MΩ Max.
- Dielectric Withstanding Voltage: 500W AC
- Temperature Range: -35°C to +85°C
- Insulator color: Black/White
- Plastic material: PBT/LCP/Others
- Shell finish: Nickel plated/Tin-Lead plated
- Mechanical:
- Mating Force: 3.5KG MAX
- Umating Force: 0.7 KG MIN.
- Contact finish:
- 01: Selective Gold Flash
- 02: Selective Gold 3U”
- 03: Selective Gold 5U”
- 04: Selective Gold 15U”
- 05: Selective Gold 30U”

备注：侧弹分为外弹与内弹

产品图
PRODUCT CHART DWG

深圳市精拓金电子有限公司

公差一览表 TOLERANCE UNLESS OTHERWISE		单位 UNITS	MM	制图 DRAWING	许榕强	产品料号 PRODUCT PART NO.	JTJ-USB-AF-14
X	±0.15	X'	±5'	比例 SCALE	1:1	审核 CHECK	郭治富
XX	±0.05	XX'	±2'	日期 DATE	2009/10/20	核准 APPROV	黄国荣
XXX	±0.03	XXX'	±1.5'	角法 VIEW		版本 VER	A0