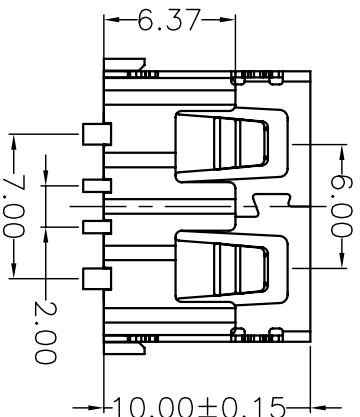
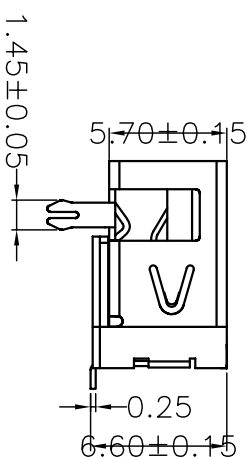
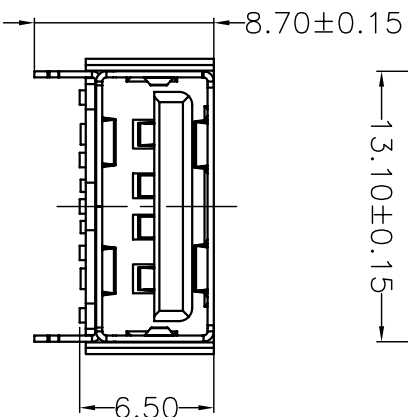
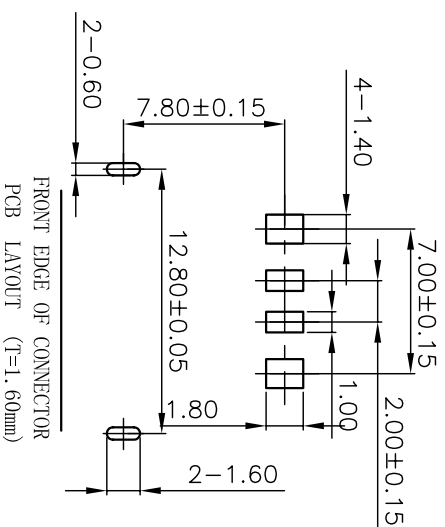
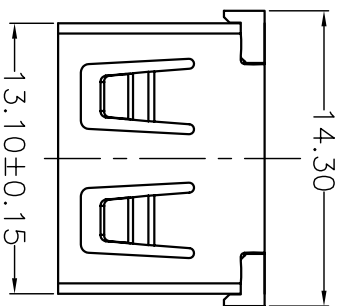


# Parts Drawing



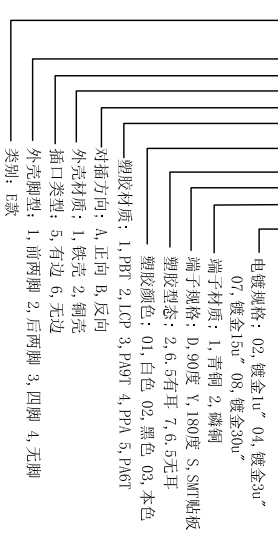
1	919-161A1012S202	1
2		2
3		3
4		4

REVISIONS		DATE	ISSUED
SYM	ECN No.	MODIFICATION	

- Note:
- Material:
    - Housing: High temperature thermoplastic with/black g.f.Ul94v-0
    - Contact: copper alloy,t=0.25mm
    - Shell: copper/Ferroalloy alloy,t=0.30mm
  - Specification:
    - Current rating: 5A Max.
    - Dielectric withstanding voltage: 100 V(ac) for 1 min.
    - Contact resistance: 30 mΩ Max.
    - Insulation resistance: 100 MΩ Min.
    - Total mating force: 3.57 Kgf Max.
    - Total unmating force: 1.0 Kgf Min.
  - Finish:
    - Contact: Plated Gold in Mating Area: Tin On Solder Tails

- Environmental:
  - Temperature range: -55°C~85°C

PART ON:  
919-15XXXXXXX



**圳** 深圳市精拓金电子有限公司

DRAWN	TITLE	PART NO.	SCALE	SHEET	SIZE	REV.
CHECKED	USB AF SMT大电流10.0	SEE PART ON	1:1	1 OF 1	A4	X1
APPROVED	前两脚无边H6.5mm	DRAWING NO.				
		R919161A1012S202				
	TOLERANCE					
	.XXX±.10, .XX±.25, .X±.38, ANG±5°					
	UNIT					
	mm					



1 2 3 4 5 A B C D E