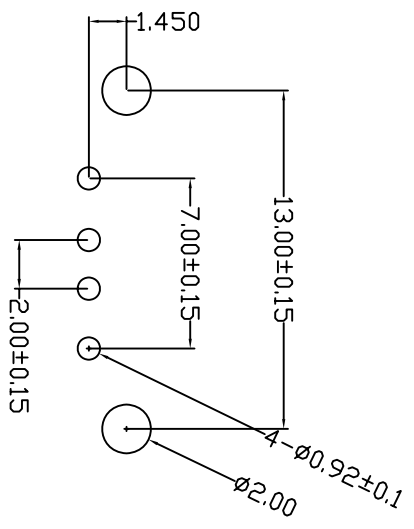
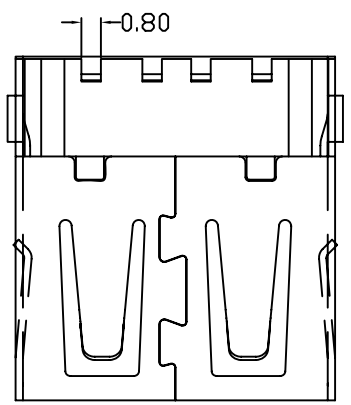
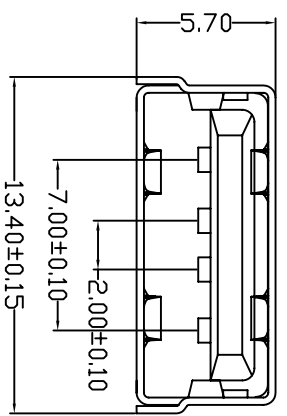
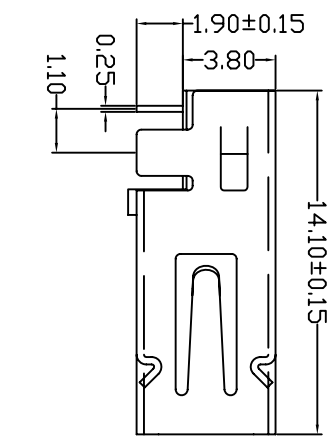


目錄 MAPX	變更內容 MODIFICATION	日期 DATE
------------	----------------------	------------



RECOMMENDED P.C.B LAYOUT

- NOTES:
- Housing: Thermoplastics, UL94V-0
 - Contact: Copper Alloy
 - Shell: Copper Alloy/Steel
 - Voltage Current Rating: 1.5 AMP. 30V AC
 - Insulation Resistance: 1000MΩ Min.
 - Contact Resistance: 30 MΩ Max.
 - Dielectric Withstanding Voltage: 500W AC
 - Temperature Range: -35°C to +85°C
 - Insulator color: Black/White
 - Plastic material: PBT/LCP/Others
 - Shell finish: Nickel plated/Tin-Lead plated
 - Mechanical:
 - Mating Force: 3.5KG MAX
 - Umating Force: 0.7 KG MIN.
 - Contact finish:
 - 01: Selective Gold Flash
 - 02: Selective Gold 3U"
 - 03: Selective Gold 5U"
 - 04: Selective Gold 15U"
 - 05: Selective Gold 30U"

备注：侧弹分为外弹与内弹

产品图
PRODUCT CHART DWG

深圳市精拓金电子有限公司

公差一览表 TOLERANCE UNLESS OTHERWISE		单位 UNITS	MM	制图 DRAWING	Z-Y-B	产品料号 PRODUCT PART NO.	JTJ-USB-AF-13
X	±0.25	X'	±5'	审核 CHECK	雷永键	产品名称 PRODUCT NAME	USB-AF沉板无边内弹 (短弯脚)
.XX	±0.15	.XX'	±1'	核准 APPR	雷永键	角法 VIEW	⊕ ⊖
.XXX	±0.10	.XXX'	±0.5'	日期 DATE	2009/10/20	版本 VER	A0