

MAPX	MODIFICATION	DATE
------	--------------	------

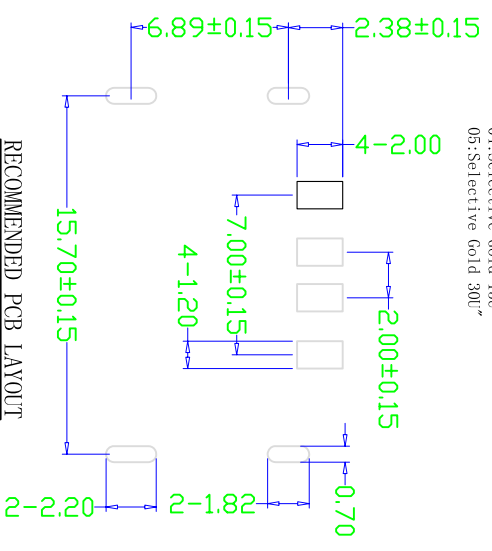
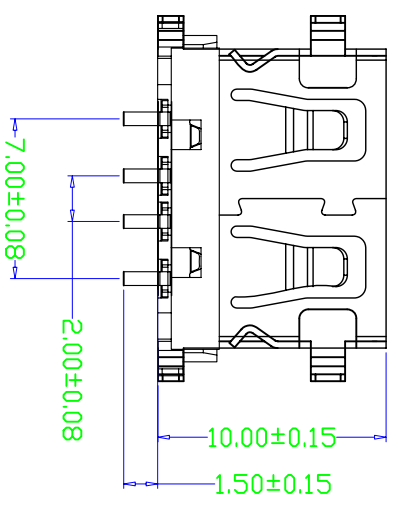
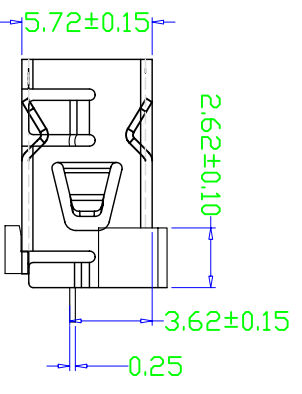
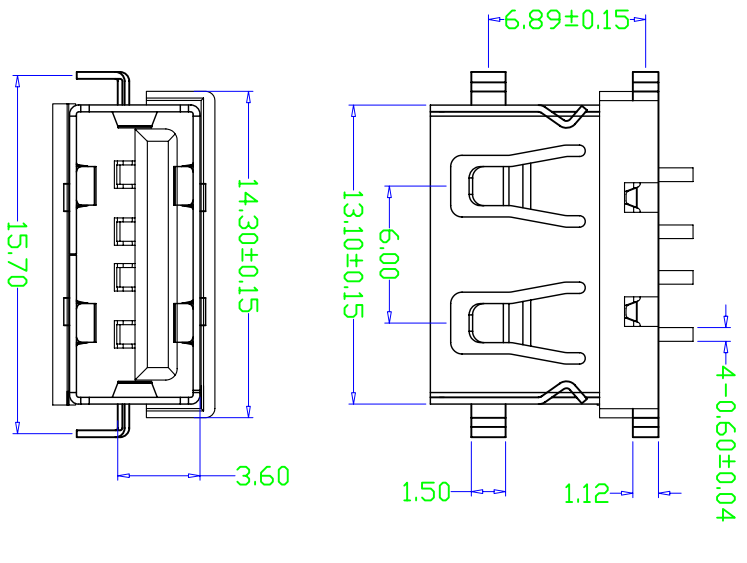
NOTE:  
1. Material:

Housing: Thermoplastics, UL94V-0 (ROHS, HF)  
Contact: Phosphor Bronze C5191-EH/C2680-EH, T=0.25mm  
Shell: COPPER ALLOY T=0.30mm

2. FINISH:  
Contact: 15u" Gold Plated on Contact Area,  
80u" Min. Tin Plated on Solder Area,  
50u" Min. Nickel Underplating Over All.  
Shell: 50u" Min. Nickel Underplating Over All.

3. Specification:  
3.1: Rating:  
Rated voltage 500V AC/DC. Rated current: 2 A Max.  
3.2: Electrical:  
Insulation Resistance(EIA-364-21):  
1000MΩ Min. at 500V/DC for 1minute.  
Contract Resistance(EIA-364-23):  
30 mΩ Max. at 20mV Max, 50mA  
Dielectric Withstanding Voltage(EIA-364-20):  
No discharge, Flashover or breakdown at 500V/AC 1Minute

4. Plug extraction force shall be between 1.0kgf and 2.00kgf  
5. Contact finish:  
01: Selective Gold Flash  
02: Selective Gold 3u"  
03: Selective Gold 5u"  
04: Selective Gold 15u"  
05: Selective Gold 30u"



RECOMMENDED PCB LAYOUT  
GENERAL TOLERANCES: ±0.05

# 产品图

## 深圳市精拓金电子有限公司

公差一览表		单位	MM	制图	Z-Y-B	制料号	
TOLERANCE UNLESS OTHERWISE		UNITS		DRAWING		PRODUCT PART NO.	
X ±0.15	X ±5°	SCALE	1:1	审核		PRODUCT NO.	USB A/F=10.0无边四脚沉板
X ±0.10	X ±2°	DATE	2014.11.1	核准		VIEW	
XX ±0.05	XX ±1°			APPD		VER	版本
XXX ±0.03	XXX ±0.5°						AD

G 1 2 3 4 5 6 7 8 9 10 G

F

E

D

C

B

A