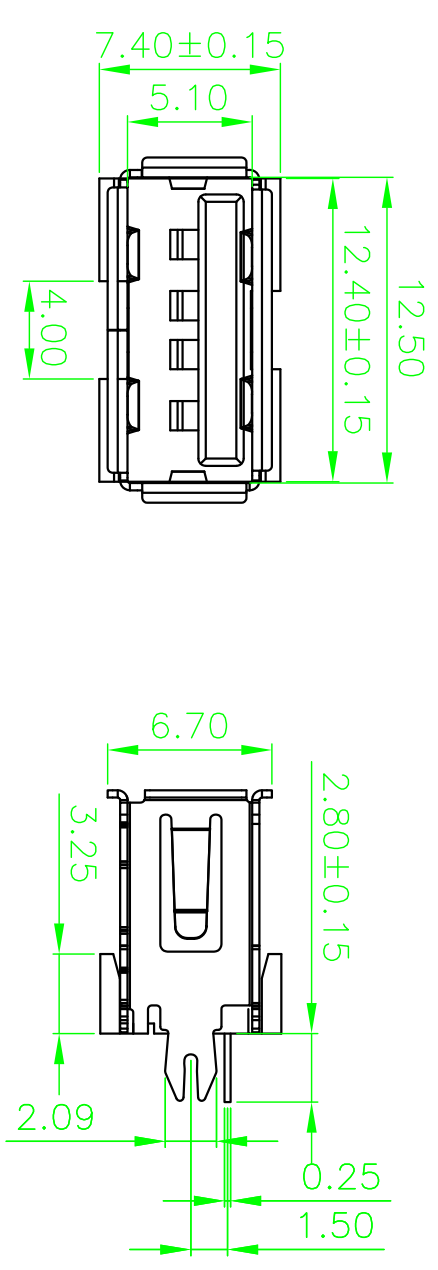
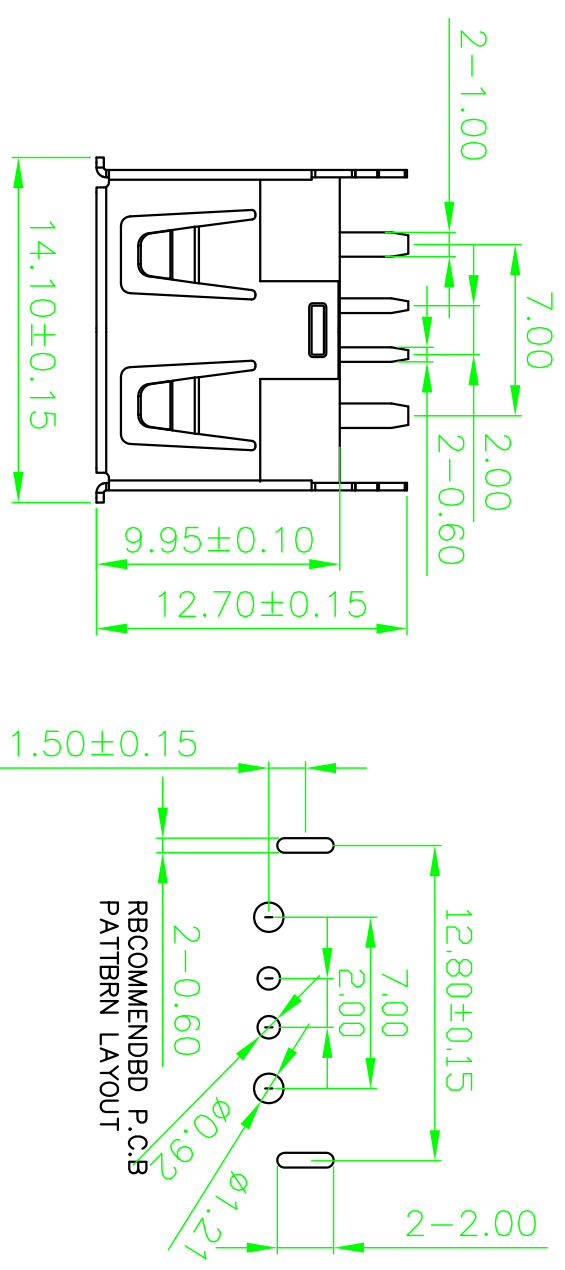
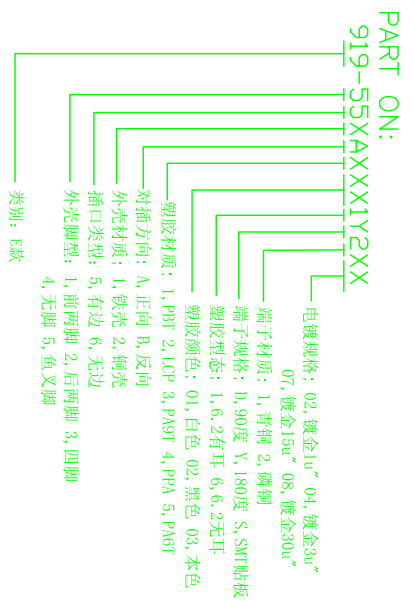


Parts Drawing

REVISIONS		DATE	ISSUED
SYM	ECN No.	MODIFICATION	



- Note:
- Material:
 - 1.1, Housing: High temperature thermoplastic with/black G/F, UL94v-0
 - 1.2, Contact: copper alloy, t=0.25mm
 - 1.3, Shell: copper/Ferroalloy alloy, t=0.30mm
 - Specification:
 - 2.1, Current rating: 1.5A Max.
 - 2.2, Dielectric withstanding voltage: 100 V(ac) for 1 min.
 - 2.3, Contact resistance: 30 mΩ Max.
 - 2.4, Insulation resistance: 100 MΩ Min.
 - 2.5, Total mating force: 3.57 Kgf Max.
 - 2.6, Total unmating force: 1.0 Kgf Min.
 - Finish:
 - 3.1, Contact: Plated Gold in Mating Area: Tin On Solder Tolls
 - Shell: Nickel Plating
 - Environmental:
 - 4.1, Temperature range: -55°C~85°C



1	919-551A1011Y102	5
2		6
3		7
4		8

DRAWN		研 深圳市精拓金电子有限公司	
CHECKED		TITLE	USB AF 大电流10.0短体
APPROVED		TOLERANCE	180° 鱼叉脚有边 .XXX±.10, .XX±.25, .X±.38, ANG±5°
	UNIT	PART NO.	SEE PART ON
	mm	DRAWING NO.	R919551A1011Y102
		SCALE	SHEET SIZE REV.
		1:1	1 OF 1 A4 X1

