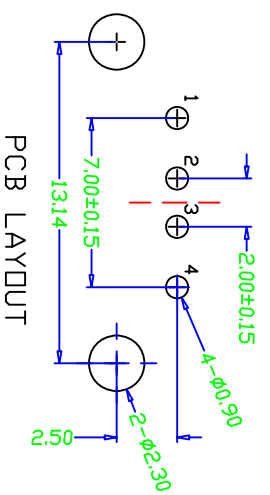
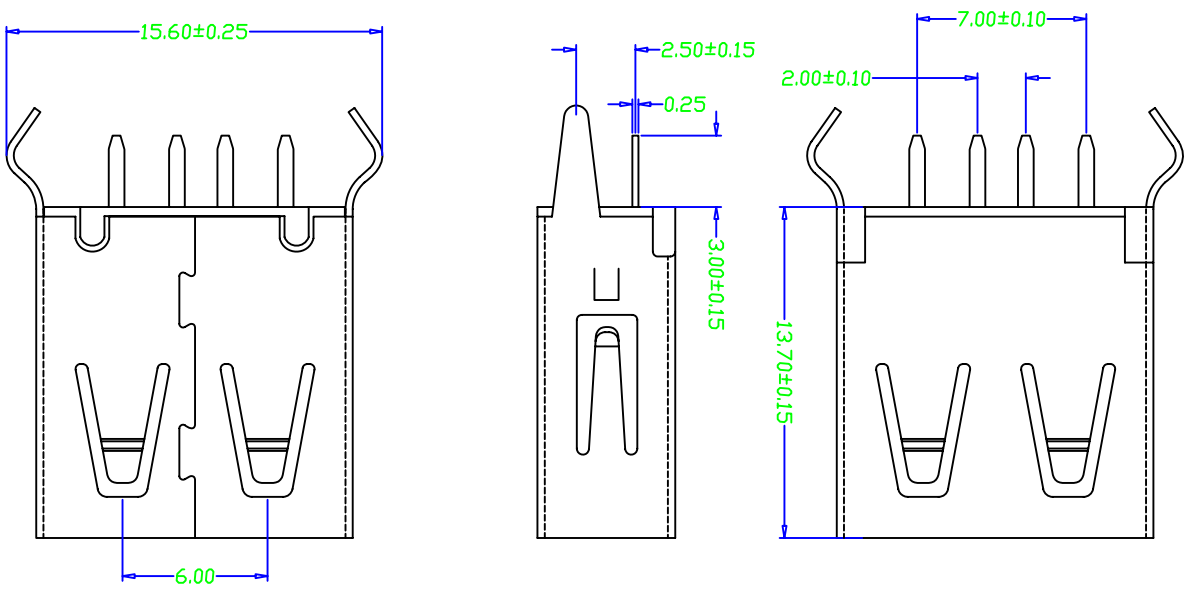


MAPX	MODIFICATION	DATE
------	--------------	------

NOTES:  
 1. HOUSING: SEE NOTES, UJ94V-0.  
 TERMINAL: SEE NOTES.  
 SHELL: SEE NOTES.

SPECIFICATION:  
 1. ELECTRICAL CHARACTERISTIC:  
 CONTACT RESISTANCE: 30MΩ MAX  
 DIELECTRIC WITHSTANDING VOLTAGE: 500V AC FOR 1MIN  
 INSULATION RESISTANCE: 1000MΩ MIN  
 2. MECHANICAL CHARACTERISTIC:  
 INSERTION FORCE: 35N(3.57KGF) MAX  
 EXTRACTION FORCE: 10~35N(1.02~3.57KGF) MIN  
 DURABILITY: 1500 CYCLES EXTRACTION FORCE: 10~35N  
 5000 CYCLES MIN  
 5000 CYCLES EXTRACTION FORCE: 3~35N

3. ENVIRONMENTAL:  
 OPERATING TEMPERATURE: -55°C+85°C  
 4. Contact finish:  
 01: Selective Gold Flash  
 02: Selective Gold 3U"  
 03: Selective Gold 5U"  
 04: Selective Gold 15U"  
 05: Selective Gold 30U"



产品图  
PRODUCT CHART DWG

深圳市精拓金电子有限公司

公差一览表		单位		制图		制图料号	
TOLERANCE UNLESS OTHERWISE	UNITS	MM	DRAWING	Z-Y-B	PRODUCT PART NO.		
X. ±0.25	X.	±5°	审核		产品名称	USB A/F 180度插板式无边 (13.7)	
X. ±0.20	X.	±2°	CHKD	比例	PRODUCT NO.		
XX. ±0.15	XX.	±1°	核准	日期	DATE	2014.07.24	
XXX. ±0.10	XXX.	±0.5°	APRD	APRD	版本	AD	

G 1 2 3 4 5 6 7 8 9 10  
 F  
 E  
 D  
 C  
 B  
 A