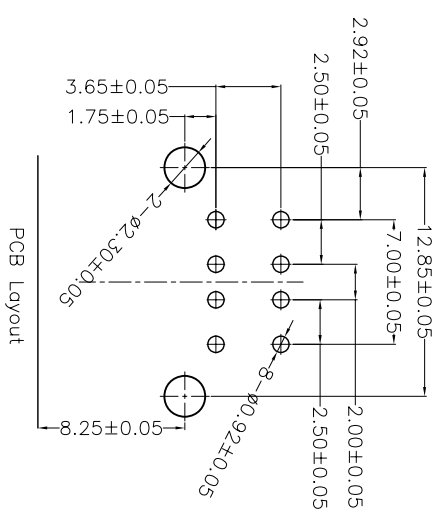
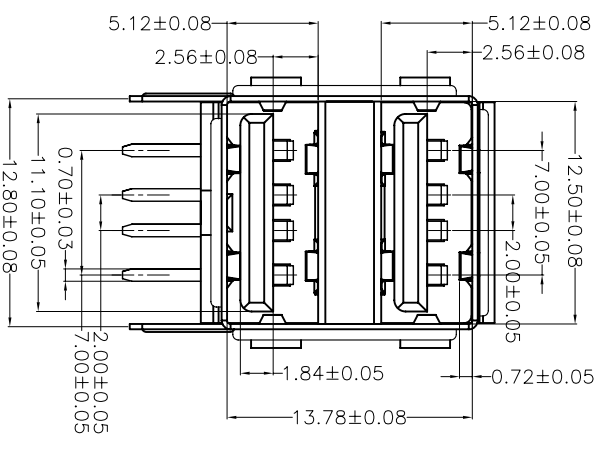
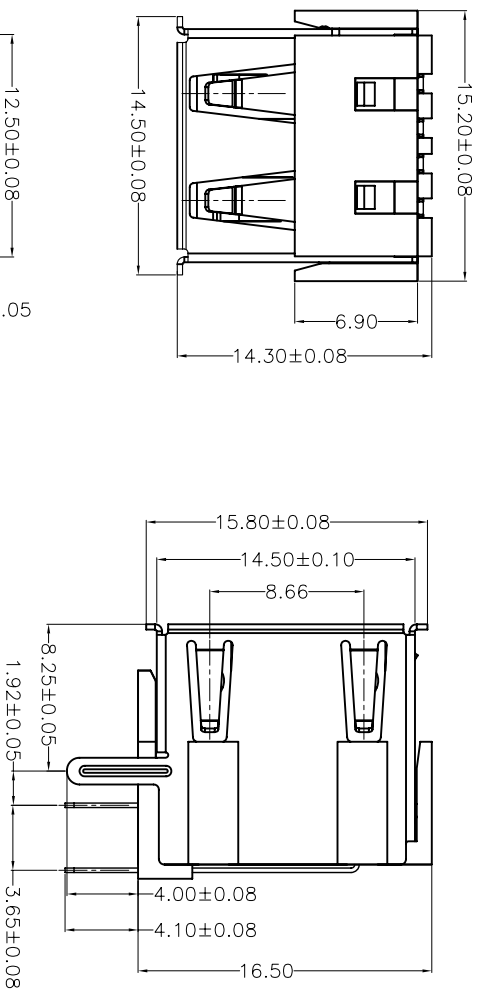


MAPX	MODIFICATION	DATE
------	--------------	------



- NOTES:
- HOUSING: SEE NOTES, UL94V-0 .
 TERMINAL: SEE NOTES.
 SHELL: SEE NOTES.
- SPECIFICATION:
- ELECTRICAL CHARACTERISTIC:
 CONTACT RESISTANCE: 30MΩ MAX
 DIELECTRIC WITHSTANDING VOLTAGE: 500V AC FOR 1MIN
 INSULATION RESISTANCE: 1000MΩ MIN
 - MECHANICAL CHARACTERISTIC:
 INSERTION FORCE: 35N(3.57KGF) MAX
 EXTRACTION FORCE: 10~35N(1.02~3.57KGF)MIN
 - Contact finish:
 01:Selective Gold Flash
 02:Selective Gold 3U"
 03:Selective Gold 5U"
 04:Selective Gold 15U"
 05:Selective Gold 30U"

产品图 PRODUCT CHART DWG		公差一览表 TOLERANCE UNLESS OTHERWISE	
X	±0.15	X	±5.°
X	±0.10	X	±2.°
.XX	±0.05	.XX	±1.°
.XXX	±0.03	.XXX	±0.5°

深圳市精拓金电子有限公司

单位 UNITS	MM	制图 DRAWING	Z-Y-B	制料号 PRODUCT PART NO.	JTY-USB/双层-001
比例 SCALE	1:1	审核 CHKD		产品名称 PRODUCT NO.	USB-双层有边反向成品
日期 DATE	2010.05.06	核准 APPR		角法 VIEW	版本 VER
					A0

1 2 3 4 5 6 7 8 9 10

G F E D C B A