

MAPX	MODIFICATION	DATE
------	--------------	------

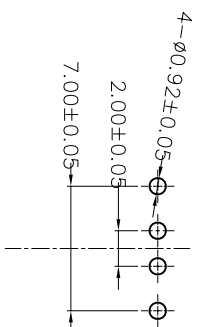
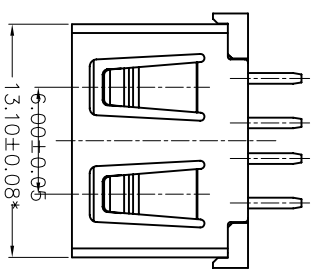
NOTES:

1. HOUSING: SEE NOTES, TERMINAL: SEE NOTES, SHELL: SEE NOTES.

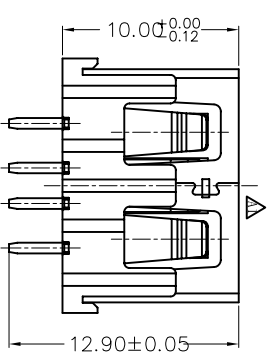
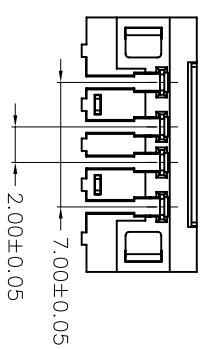
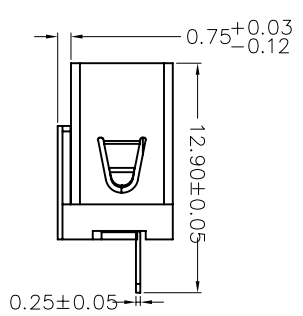
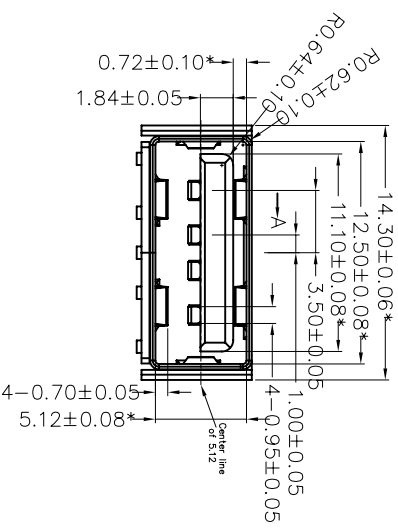
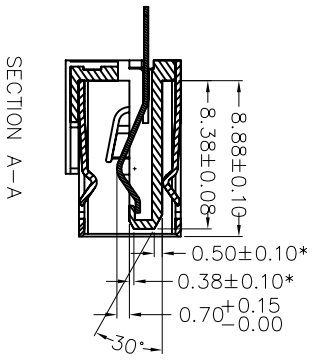
SPECIFICATION:

1. ELECTRICAL CHARACTERISTIC:  
CONTACT RESISTANCE: 30MΩ MAX  
DIELECTRIC WITHSTANDING VOLTAGE: 500V AC FOR 1MIN  
INSULATION RESISTANCE: 1000MΩ MIN
2. MECHANICAL CHARACTERISTIC:  
INSERTION FORCE: 35N(3.57KGf) MAX  
EXTRACTION FORCE: 10~35N(1.02~3.57KGf) MIN  
DURABILITY: 1500 CYCLES EXTRACTION FORCE: 10~35N  
5000 CYCLES MIN  
5000 CYCLES EXTRACTION FORCE: 3~35N
3. ENVIRONMENTAL:  
OPERATING TEMPERATURE: -55°C~+85°C
4. Contact finish:

- 01: Selective Gold Flash
- 02: Selective Gold 3U"
- 03: Selective Gold 5U"
- 04: Selective Gold 15U"
- 05: Selective Gold 30U"



FRONT EDGE OF CONNECTOR PCB LAYOUT



产品图  
PRODUCT CHART DWG

深圳市精拓金电子有限公司

公差一览表		单位	MM	制图	Z-Y-B	制图料号	JTJ-USB AF 10.0-C-009
TOLERANCE UNLESS OTHERWISE		UNITS		DRAWING		PRODUCT PART NO.	
X: ±0.15	X: ±5.°	SCALE	1:1	审核		产品名称	USB A/F 180° (10.0)无卷边
X: ±0.10	X: ±2.°	DATE	2012.06.15	CHD		PRODUCT NO.	
XX: ±0.05	XX: ±1.°	APPD		核准		角法	
XXX: ±0.03	XXX: ±0.5°					版本	A0

1 2 3 4 5 6 7 8 9 10

G F E D C B A

G F E D C B A