

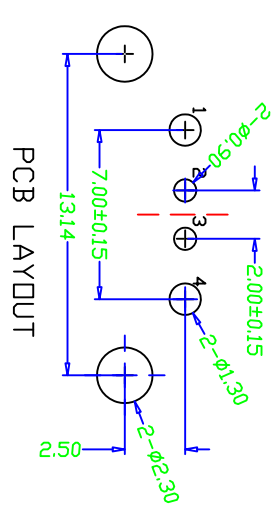
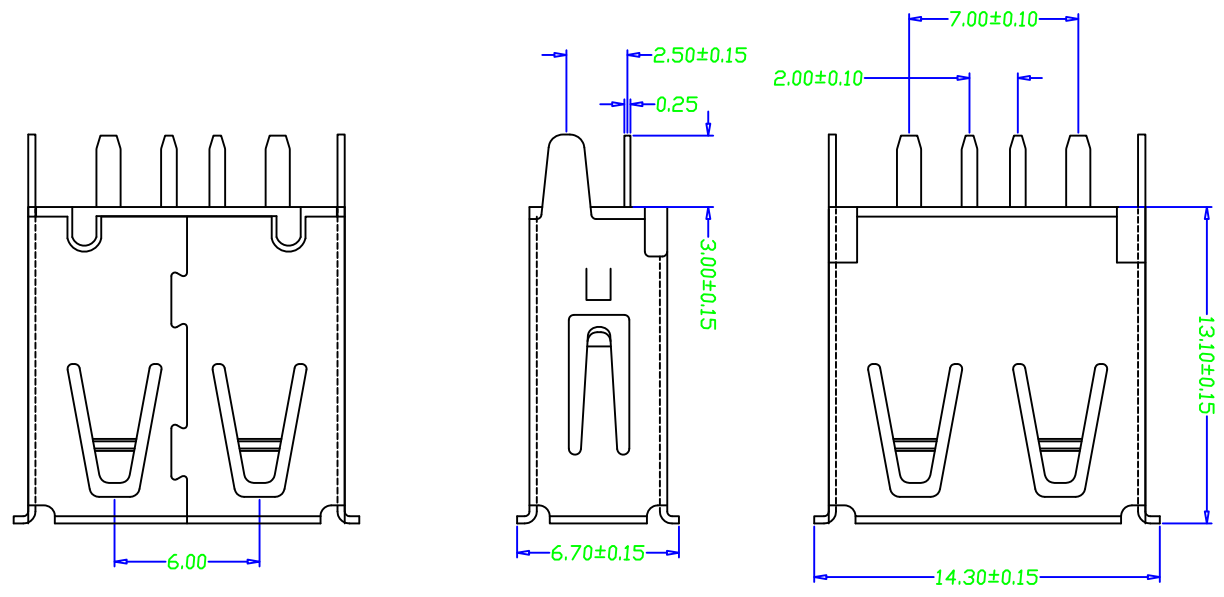
MAPX	MODIFICATION	DATE
------	--------------	------

NOTES:
 1. HOUSING: SEE NOTES, UJ94V-0.
 TERMINAL: SEE NOTES.
 SHELL: SEE NOTES.

SPECIFICATION:

- ELECTRICAL CHARACTERISTIC:
 Current rating: 3.0A Max
 CONTACT RESISTANCE: 30MΩ MAX
 DIELECTRIC WITHSTANDING VOLTAGE: 500V AC FOR 1MIN
 INSULATION RESISTANCE: 1000MΩ MIN
- MECHANICAL CHARACTERISTIC:
 INSERTION FORCE: 35N(3.57KGf) MAX
 EXTRACTION FORCE: 10~35N(1.02~3.57KGf) MIN
 DURABILITY: 1500 CYCLES EXTRACTION FORCE: 10~35N
 5000 CYCLES MIN
 5000 CYCLES EXTRACTION FORCE: 3~35N
- ENVIRONMENTAL:
 OPERATING TEMPERATURE: -55°C+85°C
- Contact finish:

- Selective Gold Flash
- Selective Gold 3U"
- Selective Gold 5U"
- Selective Gold 15U"
- Selective Gold 30U"



深圳市精拓金电子有限公司

产品图 PRODUCT CHART DWG		公差一览表 TOLERANCE UNLESS OTHERWISE		单位 UNITS	MM	制图 DRAWING	Z-Y-B	制料号 PRODUCT PART NO.	
X	±0.25	X	±5°	比例 SCALE	1:1	审核 CHKD		产品名称 PRODUCT NO.	USB AP 180度插板式有边 (13.1)
X	±0.20	X	±2°	日期 DATE	2014.07.24	核准 APRD		角法 VIEW	
XX	±0.15	XX	±1°					版本 VER	AD
XXX	±0.10	XXX	±0.5°						