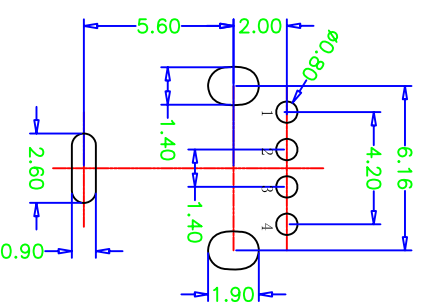
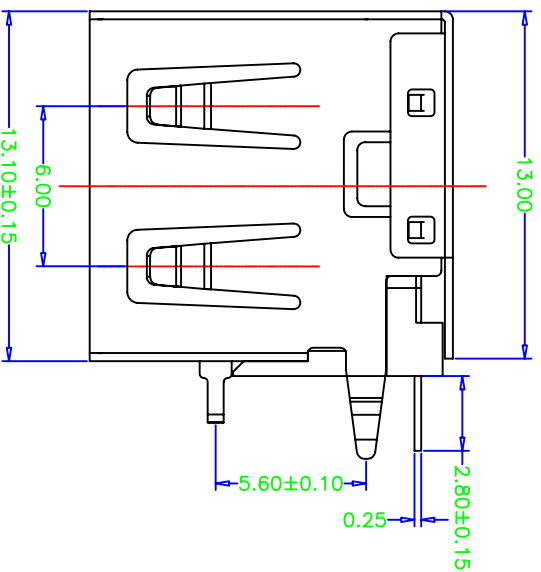
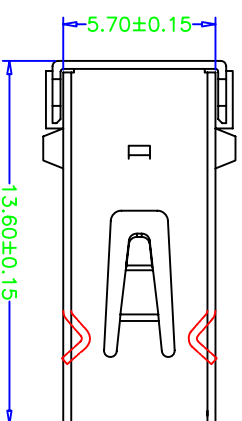
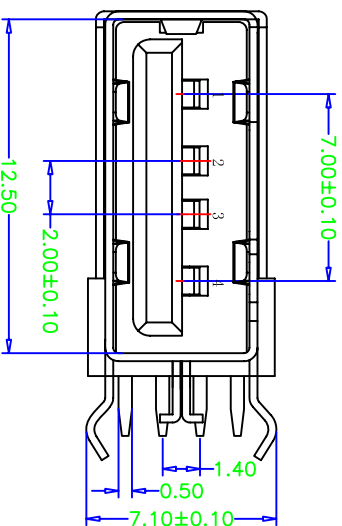
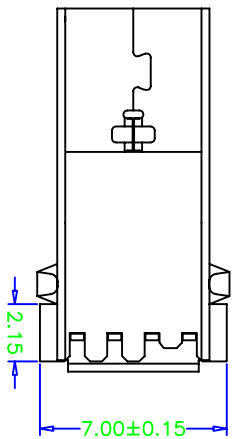


REV	MODIFICATION	DATE
A0	胶芯变更	2013.12.20



RECOMMENDED PCB LAYOUT  
GENERAL TOLERANCES: ±0.05

- NOTE:
- Material:  
Housing: Thermoplastics, UL94V-0 (ROHS, HF)  
Contact: Phosphor Bronze C5191-EH/C2680-EH, T=0.25mm  
Shell: COPPER ALLOY T=0.30mm
  - FINISH:  
Contact: 15u" Gold Plated on Contact Area,  
80u" Min.Tin Plated on Solder Area  
50u" Min.Nickel Underplating Over ALL.  
Shell: 50u" Min.Nickel Underplating Over ALL.
  - Specification:
    - Rating:  
Rated voltage 500V AC/DC. Rated current: 2 A Max.
    - Electrical:  
Insulation Resistance(EIA-364-21):  
1000MΩ Min. at 500V/DC for 1Minute.  
Contact Resistance(EIA-364-23):  
30 mΩ Max. at 20mV Max, 50mA
    - Dielectric Withstanding Voltage(EIA-364-20):  
No discharge, flashover or breakdown at 500V/AC 1Minute
  - Plug extraction force shall be between 1.0kgf and 2.00kgf
  - Contact finish:
    - Selective Gold Flash
    - Selective Gold 3U"
    - Selective Gold 5U"
    - Selective Gold 15U"
    - Selective Gold 30U"

产品图  
PRODUCT CHART DWG

深圳市精拓金电子有限公司

公差一览表		单位	MM	制图	制图料号
TOLERANCE UNLESS OTHERWISE		UNITS		DRAWING	PRODUCT PART NO.
X	±0.25	X	±5.°	审核	产品名称
X	±0.20	X	±2.°	核准	PRODUCT NO.
.XX	±0.15	.XX	±1.°	日期	USB A/侧立短体4PIN Y型脚无卷边 (弯脚 L=13.6)
.XXX	±0.10	.XXX	±0.5°	DATE	角法
				2013.12.20	版本
				APPD	REV
					A0

G 1 2 3 4 5 6 7 8 9 10 G