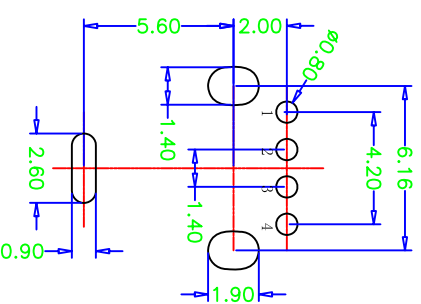
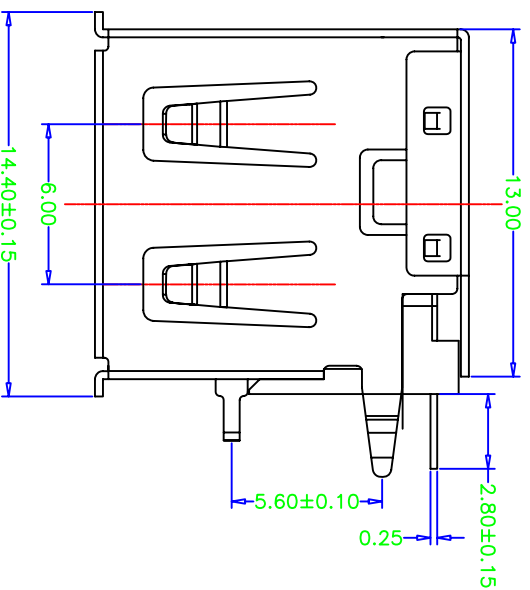
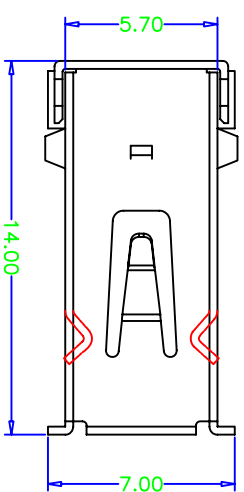
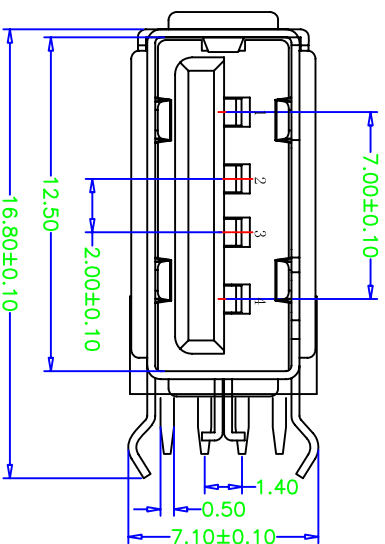
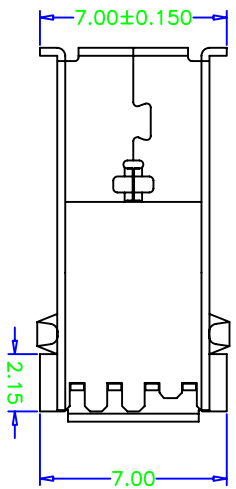


REV	MODIFICATION	DATE
A0	胶芯变更	2013.12.20



RECOMMENDED PCB LAYOUT  
GENERAL TOLERANCES: ±0.05

NOTE:

- Material:  
Housing: Thermoplastics, UL94V-0 (ROHS, HF)  
Contact: Phosphor Bronze C5191-EH/C2680-EH, T=0.25mm  
Shell: COPPER ALLOY T=0.30mm
- FINISH:  
Contact: 15u" Gold Plated on Contact Area,  
80u" Min.Tin Plated on Solder Area  
50u" Min.Nickel Underplating Over ALL.  
Shell: 50u" Min.Nickel Underplating Over ALL.
- Specification:
  - Rating:  
Rated voltage 500V AC/DC. Rated current: 2 A Max.
  - Electrical:  
Insulation Resistance(EIA-364-21):  
1000MΩ Min. at 500V/DC for 1Minute.  
Contact Resistance(EIA-364-23):  
30 mΩ Max. at 20mV Max, 50mA
  - Dielectric Withstanding Voltage(EIA-364-20):  
No discharge, flashover or breakdown at 500V/AC 1Minute
- Plug extraction force shall be between 1.0kgf and 2.00kgf
- Contact finish:
  - Selective Gold Flash
  - Selective Gold 3U"
  - Selective Gold 5U"
  - Selective Gold 15U"
  - Selective Gold 30U"

产品图  
公差一览表

TOLERANCE UNLESS OTHERWISE	公差
X ±0.25 X	±5.°
X ±0.20 X	±2.°
.XX ±0.15 .XX	±1.°
.XXX ±0.10 .XXX	±0.5°

深圳市精拓金电子有限公司

单位	MM	制图	制料号
UNITS	MM	DRAWING	PRODUCT PART NO.
比例	1:1	审核	产品名称
SCALE	1:1	审核	PRODUCT NO.
日期	2013.12.20	核准	角法
DATE	2013.12.20	APPRO	REV
			版本
			REV
			A0