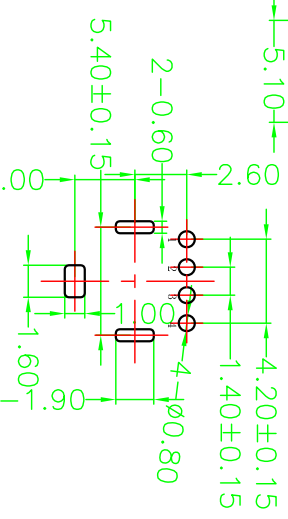
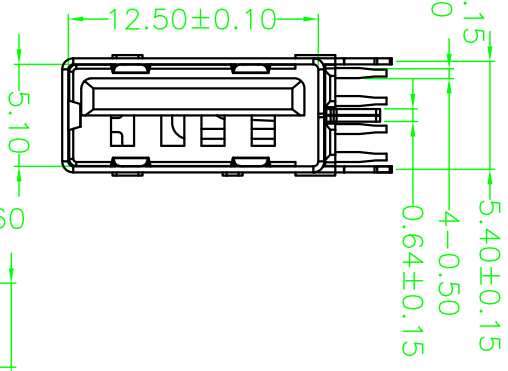
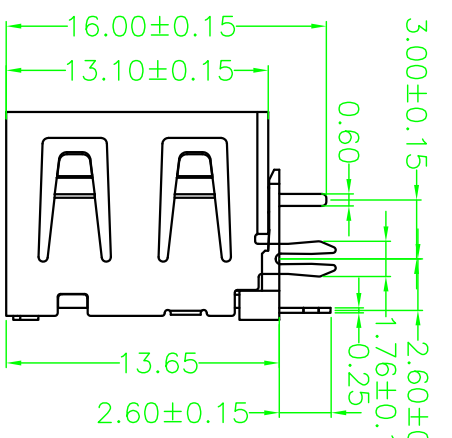
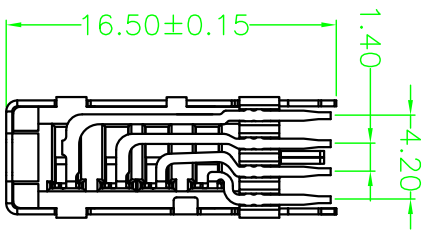
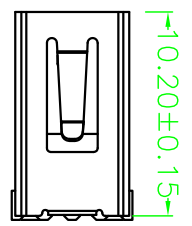


RoHS



RECOMMENDED PCB LAYOUT
GENERAL TOLERANCES: ±0.05

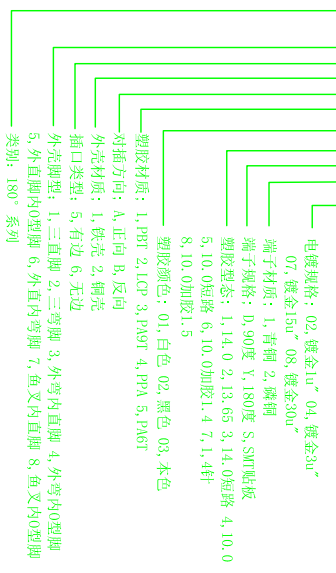
REVISIONS		
SYM	ECN No.	MODIFICATION

Note:

- Material:
 - Housing: High temperature thermoplastic with/black G/F,UL94v-0
 - Contact: copper alloy,t=0.25mm
 - Shell: copper/Ferroalloy alloy,t=0.30mm
- Specification:
 - Current rating:1.5A Max.
 - Dielectric withstanding voltage: 100 V(ac) for 1 min.
 - Contact resistance: 30 mΩ Max.
 - Insulation resistance: 100 MΩ Min.
 - Total mating force: 3.57 Kgf Max.
 - Total unmating force: 1.0 Kgf Min.
- Plating:
 - Terminal: Au Plating on Contact Area
Sn Plating on Solder Area
Nickel Under plating All Over
Shell: Nickel Plating
- Environmental:
 - Temperature range: -55°C~85°C

PART ON:

906-76XBXXX4D1XX



1	906-761B1014D102	5	
2		6	
3		7	
4		8	

DRAWN		TITLE	
CHECKED		USB AF 10.0侧插反向	
APPROVED		外鱼叉脚内直脚无边-H113.65	
	UNIT	TOLERANCE	
	mm	.XXX±.10, .XX±.25, .X±.38, ANG±5°	
		SCALE	
		1:1	
		SHEET	
		1 OF 1	
		SIZE	
		A4	
		REV.	
		X1	

深圳市精拓金电子有限公司

PART NO. SEE PART ON

DRAWING NO. R906761B1014D102