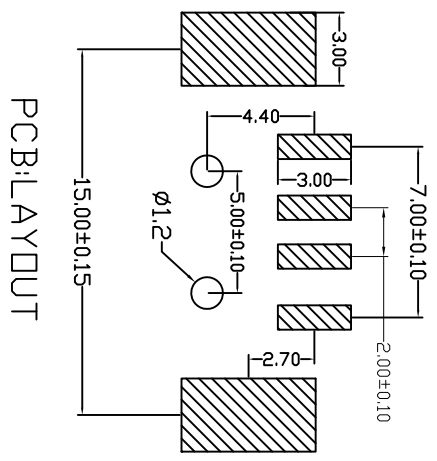
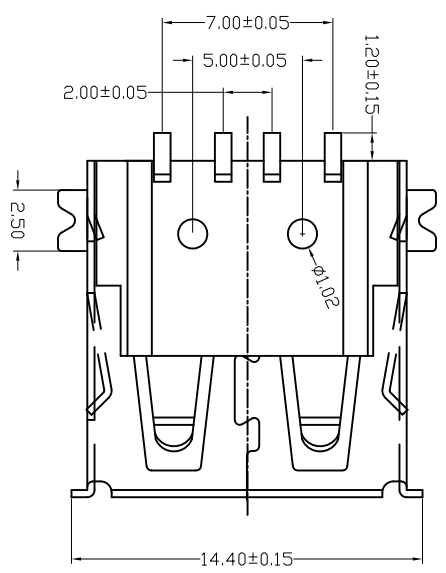
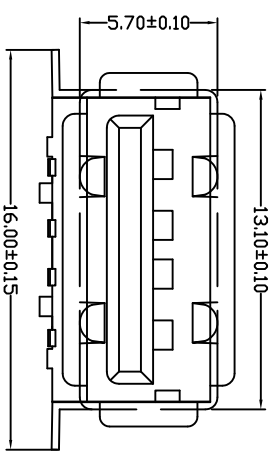
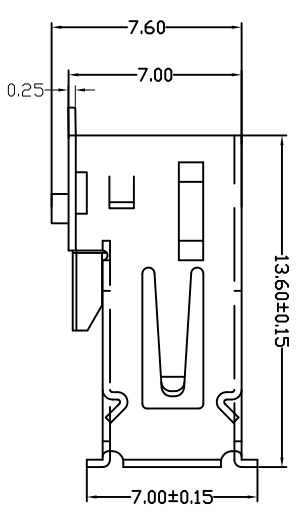


| | | |
|------------|----------------------|-------------|
| 目錄 MAPX | 變更內容 MODIFICATION | 日期 DATE |
| Δ | 側彈變更 | 2013. 3. 10 |



NOTES:

Housing: Thermoplastics, UL94V-0

Contact: Copper Alloy

Shell: Copper Alloy/Steel

Voltage Current Rating: 1.5 AMP. 30V AC

Insulation Resistance: 1000MΩ Min.

Contact Resistance: 30 MΩ Max.

Dielectric Withstanding Voltage: 500W AC

Temperature Range: -35°C to +85°C

Insulator color: Black/White

Plastic material: PBT/LCP/Others

Shell finish: Nickel plated/Tin-Lead plated

Mechanical:

Mating Force: 3.5KG MAX

Umating Force: 0.7 KG MIN.

Contact finish:

01: Selective Gold Flash

02: Selective Gold 3U”

03: Selective Gold 5U”

04: Selective Gold 15U”

05: Selective Gold 30U”

备注：侧弹分为外弹与内弹

产品图
PRODUCT CHART DWG

深圳市精拓金电子有限公司

| | | | | | | | |
|-------------------------------------|-------|-------------|-------|---------------|--------------|--------------------------|-------------------|
| 公差一览表 TOLERANCE UNLESS OTHERWISE | | 单位 UNITS | MM | 制图 DRAWING | Z-Y-B | 产品料号 PRODUCT PART NO. | JTJ-USB-AF-SMT-01 |
| X | ±0.25 | X' | ±5' | 比例 SCALE | 1:1 | 审核 CHECK | 雷永键 |
| XX | ±0.15 | XX' | ±1' | 日期 DATE | 2009. 10. 20 | 核准 APPD | 雷永键 |
| .XXX | ±0.10 | .XXX' | ±0.5" | 角法 VIEW | | 版本 VERS | A0 |