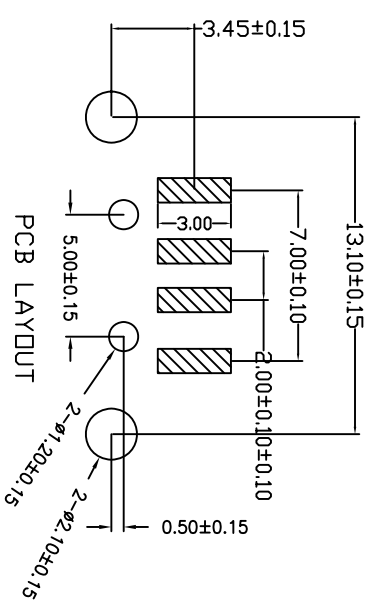
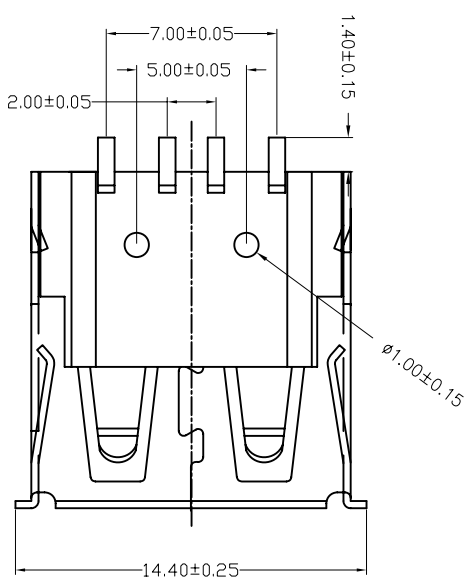
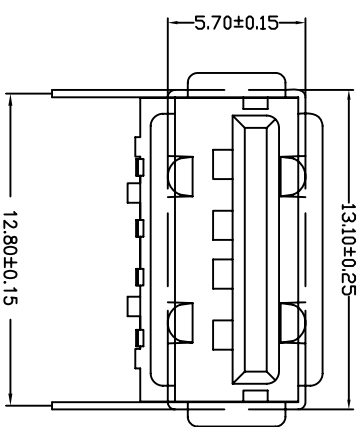
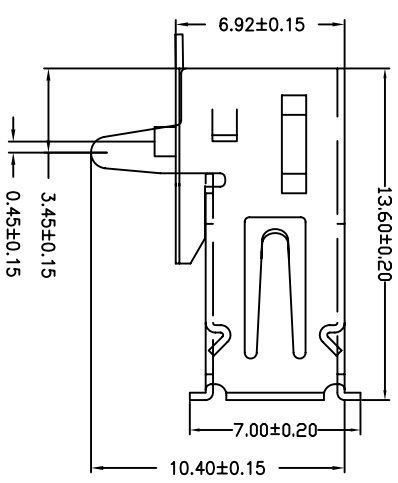


目錄 MAPX	變更內容 MODIFICATION	日期 DATE
Δ	側彈變更	2013. 3. 10



NOTES:

Housing: Thermoplastics, UL94V-0

Contact: Copper Alloy

Shell: Copper Alloy/Steel

Voltage Current Rating: 1.5 AMP. 30V AC

Insulation Resistance: 1000MΩ Min.

Contact Resistance: 30 MΩ Max.

Dielectric Withstanding Voltage: 500W AC

Temperature Range: -35°C to +85°C

Insulator color: Black/White

Plastic material: PBT/LCP/Others

Shell finish: Nickel plated/Tin-Lead plated

Mechanical:

Mating Force: 3.5KG MAX

Umating Force: 0.7 KG MIN.

Contact finish:

01: Selective Gold Flash

02: Selective Gold 3U"

03: Selective Gold 5U"

04: Selective Gold 15U"

05: Selective Gold 30U"

备注：侧弹分为外弹与内弹

产品图
PRODUCT CHART DWG

深圳市精拓金电子有限公司

公差一览表 TOLERANCE UNLESS OTHERWISE		单位 UNITS	MM	制图 DRAWING	Z-Y-B	产品料号 PRODUCT PART NO.	
X	±0.25	X'	±5'	审核 CHECK		产品名称 PRODUCT NAME	USB A/F有边直脚 SWT
.X	±0.20	.X'	±2'	核准 APPD		角法 VIEW	
.XX	±0.15	.XX'	±1'	日期 DATE	2014. 10. 20	版本 VERS	A0
.XXX	±0.10	.XXX'	±0.5'				