

## 300mA Bi-Direction Relay Driver

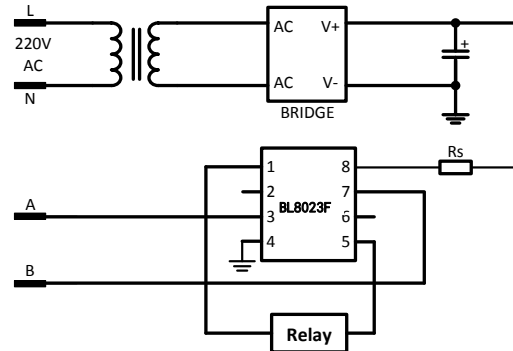
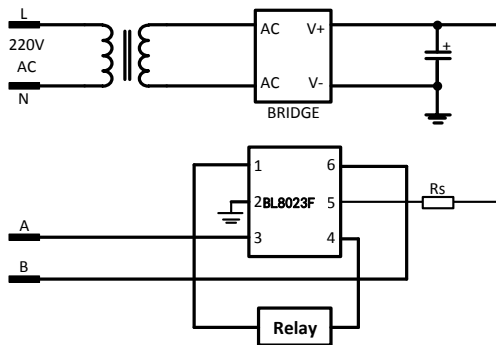
### DESCRIPTION

BL8023F is a bi-direction relay driver circuit, used to control the magnetic latching relay, with large output capability, ultra-low power consumption. It can be widely used in smart meters and other pulses, level control applications.

BL8023F can provide 300mA typical driving current, which will different according to the relay coil resistance. The input High Level Threshold of BL8023F is 2V; it can compatible with most single chip microcontroller.

BL8023F is available in SOT-23-6 and SOP-8 packages.

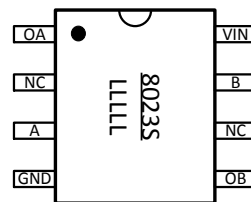
### TYPICAL APPLICATION



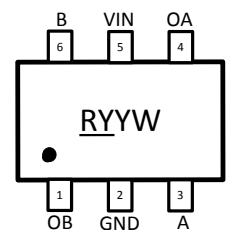
### ORDERING INFORMATION

Part No.	Package	Tape & Reel
BL8023FCB6TR	SOT-23-6	3000/Reel
BL8023FCD8TR	SOP-8	2500/Reel

### PIN OUT & MARKING



SOP-8/DIP8



SOT23-6

8023S: Product Code  
 LL: Lot No.  
 L: Fab code  
 LL: Date code

RY: Product Code  
YW: Date code

## ABSOLUTE MAXIMUM RATING

Parameter			Value
Max Input Voltage			40V
Max Operating Junction Temperature(Tj)			150°C
Ambient Temperature(Ta)			-40°C – 125°C
Package Thermal Resistance	SOT23-6	$\theta_{ja}$	190°C / W
		$\theta_{jc}$	110°C / W
	SOP-8	$\theta_{ja}$	128°C / W
		$\theta_{jc}$	45°C / W
Storage Temperature(Ts)			-40°C - 150°C
Lead Temperature & Time			260°C, 10S

**Note:** Exceed these limits to damage to the device. Exposure to absolute maximum rating conditions may affect device reliability.

## RECOMMENDED WORK CONDITIONS

Parameter	Value
Input Voltage Range	Max.36V
Operating Junction Temperature(Tj)	-40°C –85°C

## ELECTRICAL CHARACTERISTICS

(VIN=5V, TA=25°C)

Symbol	Parameter	Conditions	Min	Typ	Max	Unit
VIN	Input Voltage Range		5		36	V
Iq	Quiescent Current				1	uA
Rdson	Switch Rdson	Vin=12V, RL=75ohm		12	18	ohm
		Vin=30V, RL=75ohm		10	16	ohm
		Vin=12V, RL=40ohm		12	20	ohm
		Vin=30V, RL=40ohm <sup>1</sup>		10	16	ohm
VTH	ON Input High Voltage	Vin=12V		2		V
RIN	Equivalent Input Resistor			500		Kohm
VSD	Fly-Wheel Diode Forward Voltage	Is=1A		0.8	1.5	V
TR	Rise Time	VIN=12V, RL=75ohm		40		ns
TD(ON)	Turn ON Delay Time	VIN=12V, RL=75ohm		60		ns
TF	Fall Time	VIN=12V, RL=75ohm		30		ns
TD(OFF)	Turn OFF Delay Time	VIN=12V, RL=75ohm		70		ns

**Note:** 1) This condition is not suitable for SOT23-6 package.

2) Input rise/fall time must less than 1ms, otherwise maybe destroy the chip.

## LOGIC FUNCTION TABLE

Input A	Input B	Output OA	Output OB	RELAY RESPONSE
1	0	1	0	ON
0	1	0	1	OFF
0	0	High-impedance	High-impedance	Hold
1	1	High-impedance	High-impedance	Hold

## PIN DESCRIPTION

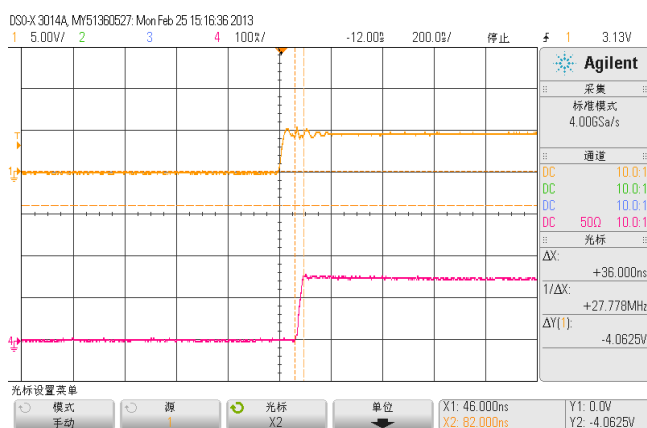
NAME	PIN #		DESCRIPTION
	SOT23-6	SOP-8	
OA	4	1	Output A
NC	-	2, 6	Not connected.
A	3	3	Input A
GND	2	4	Ground.
OB	1	5	Output B
B	6	7	Input B
VIN	5	8	Supply input voltage

## ELECTRICAL PERFORMANCE

Tested under  $T_A=25^{\circ}\text{C}$ , unless otherwise specified

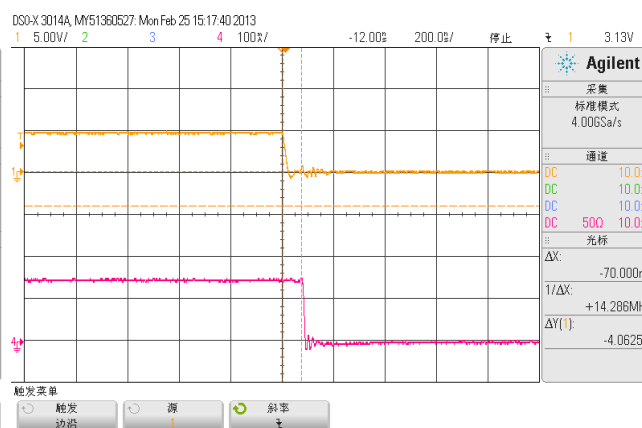
### Turn on delay and rise time

Ch1---Input Ch2---Output

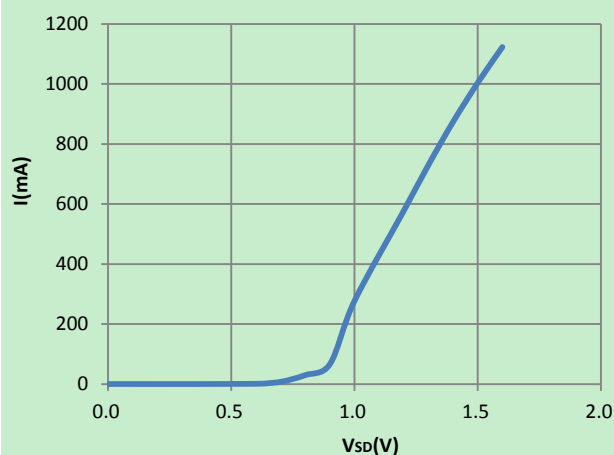


### Turn off delay and fall time

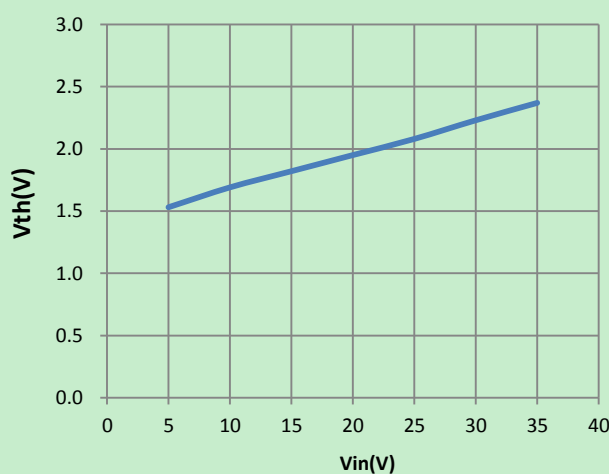
Ch1---Input Ch2---Output



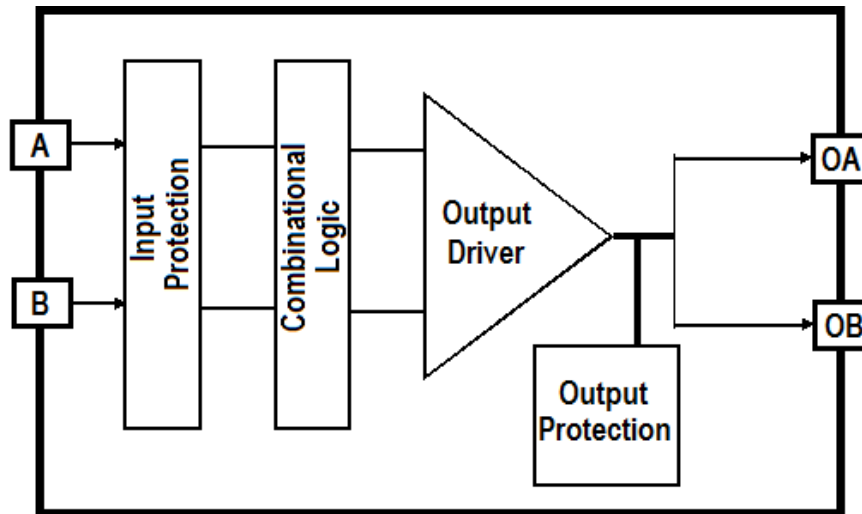
### Forward Voltage



### Vth VS. Vin



## BLOCK DIAGRAM

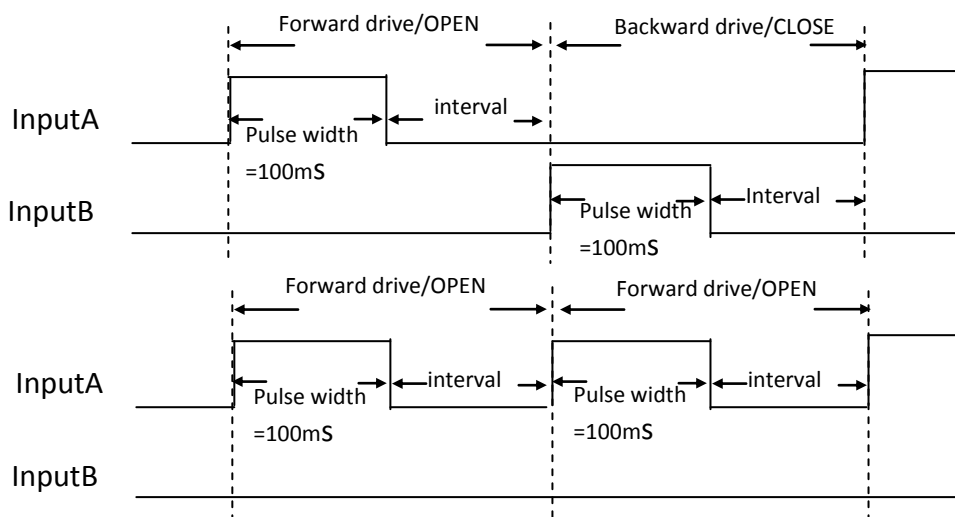


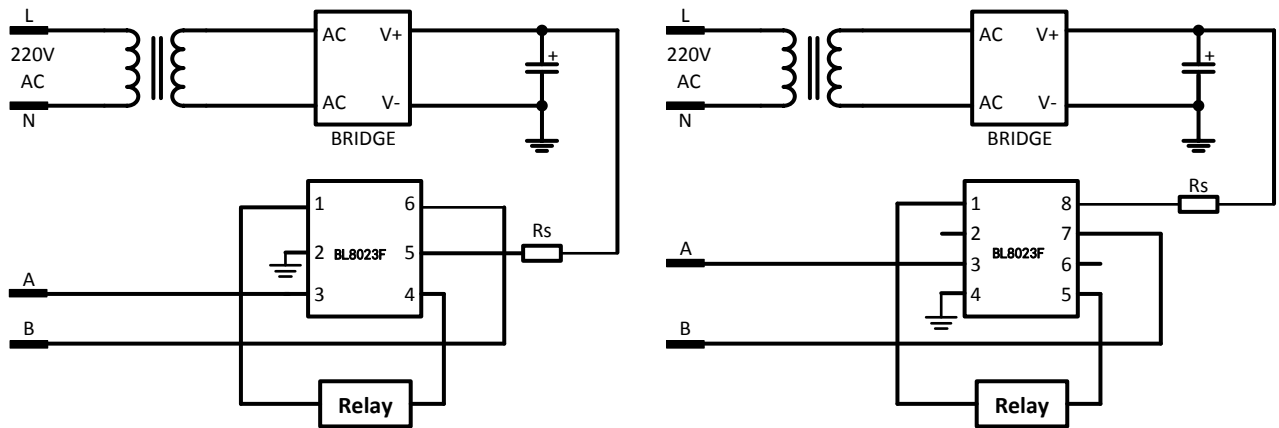
## DETAILED DESCRIPTION

### Pulse Triggering

If input is driven by square pulse, connect the inputs to the pulse source directly. Relay will operate as logic table stated ( $V_{in}$  should be less than the power supply voltage,  $R_s$  is current-limiting resistor, it can be ignored in the voltage is below 20V, i.e.  $R_s=0$ ).

The recommended pulse width=100ms. The length of the intervals should be longer than 100ms. These intervals include: intervals between forward drive pulse and next backward drive pulse, intervals between forward drive pulse and next forward drive pulse, intervals between backward drive pulse and next forward drive pulse, intervals between backward drive pulse and next backward drive pulse.





Pulse triggering application diagram

## Relay free-wheel

Relay from ON to OFF, the energy stored in the relay inductor released by the chip's internal body diode and the relay inductor. Until the end of the release of this energy, relay proceeding to the next operation.

## PACKAGE OUTLINE

Package	SOT23-6	Devices per reel	3000	Unit	mm
Package specification:					

# BL8023F

