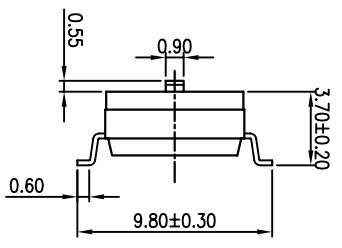
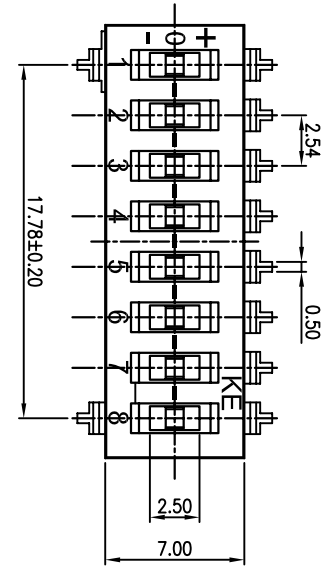
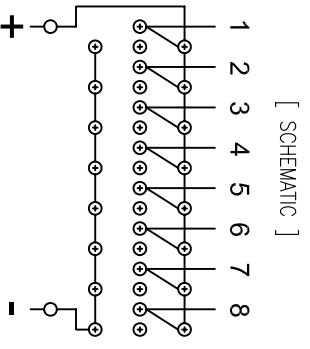
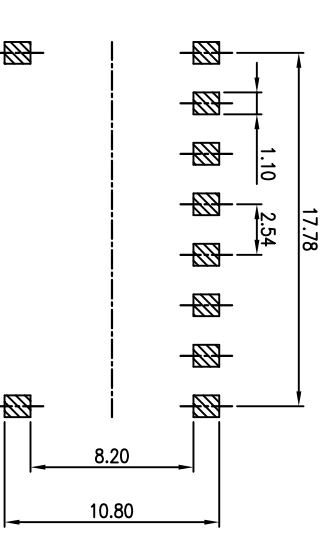


PRODUCT NO. R0HS compliant
DSDT08LSGET

REV. ECN NO. DR DATE
A New H H 15/01/22



POS.	DIMENSIONS	
	A	B
4P	11.64	7.62
5P	14.18	10.16
8P	21.80	17.78
9P	24.34	20.32
10P	26.88	22.86

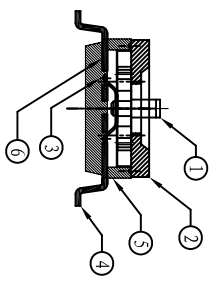


3. PART NUMBER DESCRIPTION

DSDT XX L S G E I
 [包装方式: T=管装 R=Reel]
 [电镀层: E=接触部3u" G=接触部3u" /焊接部1~2u"]
 [G=镀金 S=内金外锡]
 [脚型: S脚 / J脚 / H脚 / A脚 / Z脚]
 [T=低推贴胶 S=低推不贴胶 L=长推]
 [产品P数: 08=8P]

- NOTES :
- Specification:
 - Operating force: 1000gf/f Max
 - Mechanical Life: 3000cycles minimum
 - Electrical Life: 2000cycles minimum
 - Contact Rating:
 - Switching: 25mA, 24VDC
 - Non Switching 100mA, 50VDC
 - Contact Resistance:
 - Initial: 50mOhm Max.
 - Afer Life Test: 100mOhm Max.

- PLATING:
 - GOLD FLASH 1u"(min.) SOLDER TAIL,
 - 3u" GOLD PLATING ON THE CONTACT AREA,
 - WITH 50u" NICKEL UNDERPLATING OVERALL.



RECOMMENDED P.C.B. LAYOUT (TOP VIEW)

Number	Part Name	Material	Finished
①	Actuator	UL94 V0	White
②	Cover	UL94 V0	Black
③	Movable	Copper Alloy	3u"Gold
④	Terminal	Brass	1u"Gold
⑤	Base	UL94 V0	Black
⑥	Terminal Contact	Brass	3u"Gold

TOLERANCE UNLESS OTHERWISE SPECIFIED		INSPECTION	
LINER	ANGLES	COPY	PROJECTION
.0 ± 0.25	0 ± 2°		
.00 ± 0.15	.0 ± 1°		
.000 ± 0.10	.00 ± 0.5°		
DESIGN	CHI HUAI HE	2015/01/22	
DRAWING			
CHECK			
APPRO.			
FILE NO.	DSDT08LSGET-A		
SIZE	UNIT SCALE	SHEET	REV.
A4	mm	1 : 1	A

RE 东莞市广睿实业有限公司
DongGuon Kingtek Industrial Co., Ltd.

TITLE
BY DSDT SERIES PITCH 2.54mm
PRODUCT FAMILY DSDT SERIES
PRAT NO. DSDT08LSGET