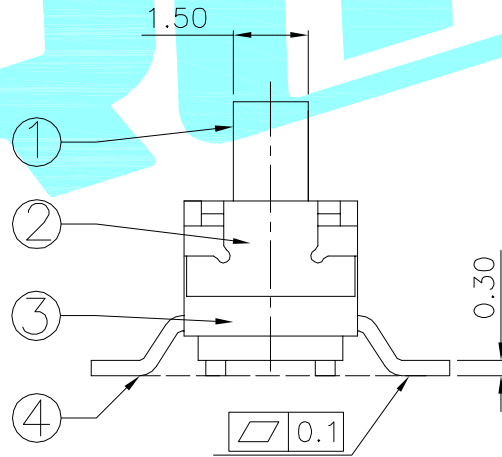
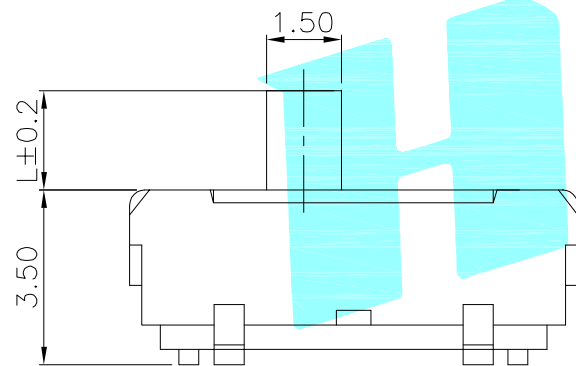


LAYOUT



PART NO.	L	Operating force
K3-1235S-F1	2	200±100gf
K3-1235S-K1	3	
K3-1235S-L1	4	

⑤	Contact Spring	—	1	Beryllium copper	Ag Plated	—
④	Terminal	—	3	Brass Strip	Ag Plated	—
③	Base	—	1	NYLON	Black	—
②	Cover	—	1	SUS	Natural	—
①	KNOB	—	1	NYLON	Black	—
ITEM	PART NAME	TER'NO.	QTY.	MATERIAL	FINISHING	REMARK

APPROVALS			DATE		 ELECTRONICS CO.,LTD	
DRAWN	J.X.Zhang		2013/9/16			
CHECKED					PART NO.	K3-1235S
APPROVALS					TOLERANCES ARE	30~以上 ±0.30 10~30 ±0.20 5~10 ±0.15 ~ 5 ±0.10
			ANGLE	±2'	UNIT: mm	SCALE: 1:1
					DRAWING NO.	
					PROJ:	SHEET 1 OF 1

ECN NO.	REV.	DATE.	DESCRIPTION.	CHANGE.	CHECK.	APPRO.
—	A	—	NEW	—	—	—