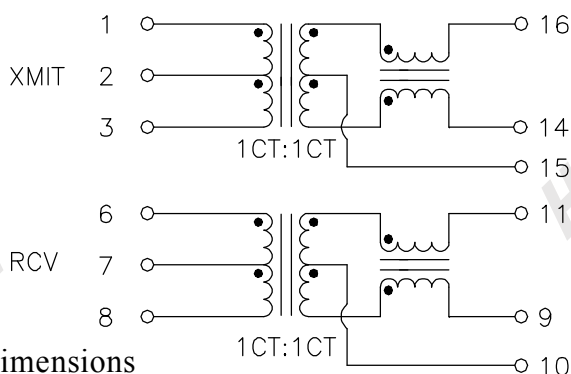


HY601680

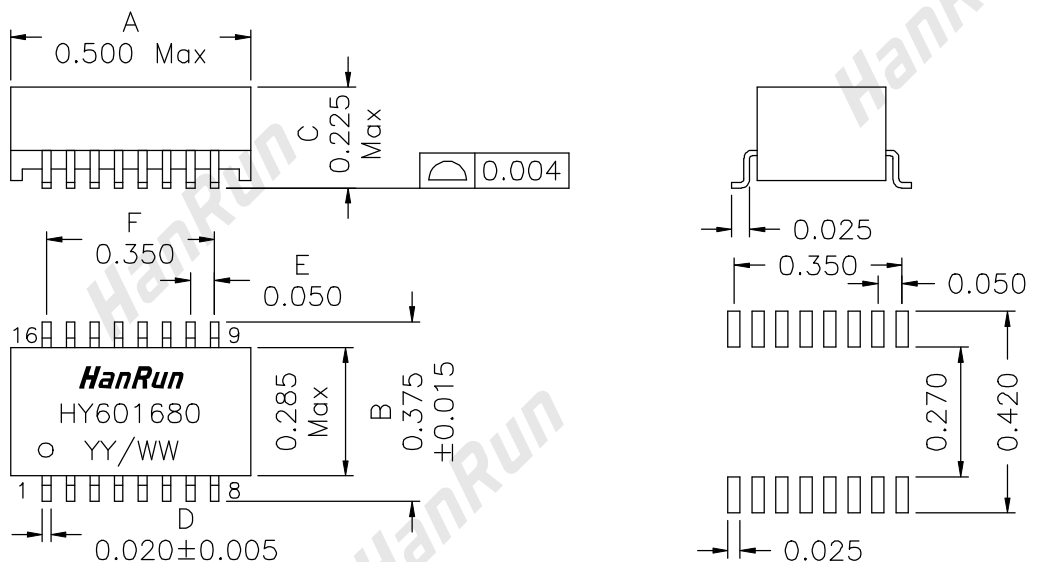
Electrical Specification @25°C

- RoHS Compliant (Pb Free)
- Operating Temperature Range: 0°C ~ +70°C
- Isolation: 1500Vrms 0.5mA 60sec (Primary to Secondary)
- Meets or Exceeds IEEE802.3 standards including 350uH Min OCL with 8mADC
- Insertion Loss: -1.1dB Maximum @300KHz ~ 100MHz
- Return Loss: -20dB Typical @30MHz / -14dB Typical @60MHz
-11.5dB Minimum @80MHz
- Different to Common Mode Rejection: -37dB Typical @30MHz ~ 50MHz
-30dB Typical @100MHz
- Crosstalk: -45dB Typical @1MHz ~ 30MHz / -35dB Typical @60MHz ~ 100MHz

Schematics



Mechanical Dimensions



SUGGESTED PCB PAD LAYOUT

Case material: DAP

Dimensions in inches, Unless otherwise specified, Tol.: .xxx ±0.010

Solderability: Dipped in 240±5°C molten solder for 3±0.5 seconds, 95% minimum, shall be smooth and bright.

REV.: B/3

Address: No.16, Industrial Road Central, Industrial Zone, Xiaolan Town,
Zhongshan City, Guangdong Province, China

Tel: (0760)22126805 22132332 Fax: (0760)22132339 Post code: 528416

E-Mail: sales@hanrun.com http://www.hanrun.com

Specifications subject to change without notice . Refer to the approval sheet for lastly edition.