



---

## 400mA , Low Output Voltage 1.25V, Adjustable , High Speed LDO ME6221 Series

### General Description

The ME6221 series are highly accurate, low noise, LDO Voltage Regulators .The output voltage can be set via the external resistor. On chip trimming adjusts the reference/output voltage to within  $\pm 2\%$  accuracy. Internal protection features consist of output current limiting, safe operating area compensation, and thermal shutdown. The current limiter's feedback circuit also operates as a short protect for the output current limiter and the output pin. The CE function allows the output of regulator to be turned off, resulting in greatly reduced power consumption. The ME6221 series can operate with up to 18V input.

### Features

- Voltage Setting via External Resistor: 1.25V~5.0V
- Maximum Output Current: 400mA
- Dropout Voltage:
- 125mV@  $I_{OUT} = 100\text{mA}$  ( $V_{out} = 3.3\text{V}$ )
- Operating Voltage Range: 2.8V~18V
- Highly Accuracy:  $\pm 2\%$
- Standby Current: 45uA (TYP.)
- Line Regulation: 30mV (TYP.)
- Temperature Stability  $\leq 0.5\%$
- Thermal Shutdown Protection: 165°C

### Applications

- Consumer and Industrial Equipment Point of Regulation
- Switching Power Supply Post Regulation
- Hard Drive Controllers
- Battery Chargers

### Package

- 5-pin SOT23-5

Typical Application Circuit

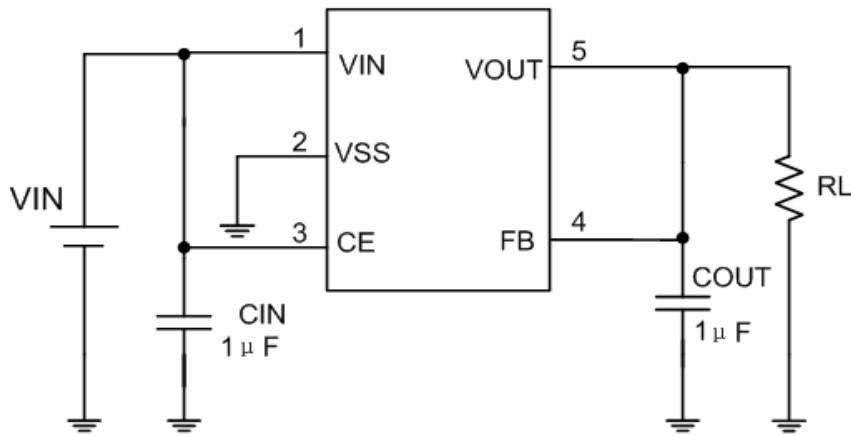


Fig.1  $V_{OUT} = 1.25V$

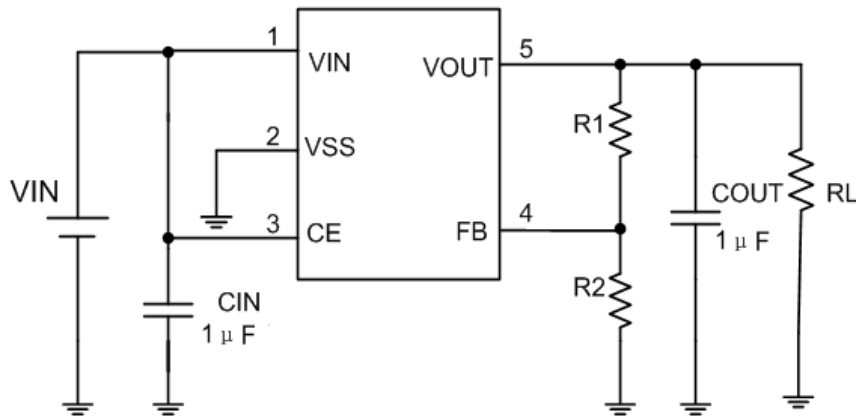
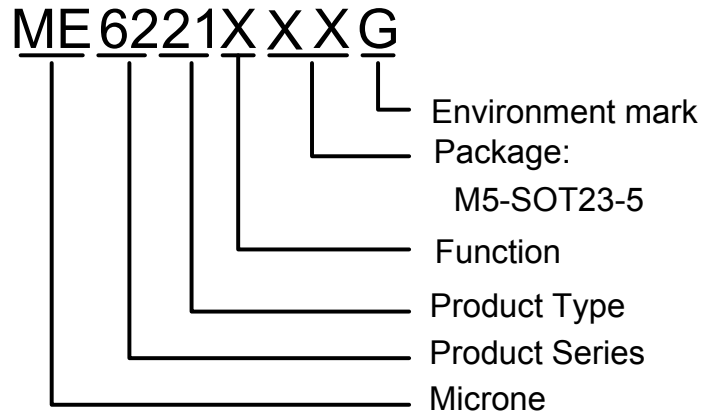


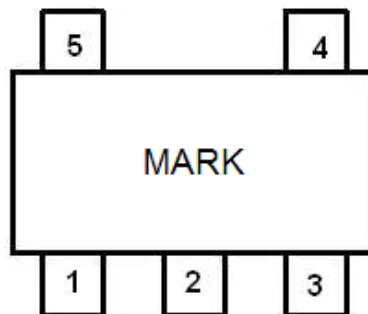
Fig.2  $V_{OUT} = 1.25 \times \left( 1 + \frac{R_1}{R_2} \right)$

## Selection Guide



product series	product description
ME6221CM5G	$V_{FB} = 1.25V$ , the output voltage is adjustable

## Pin Configuration

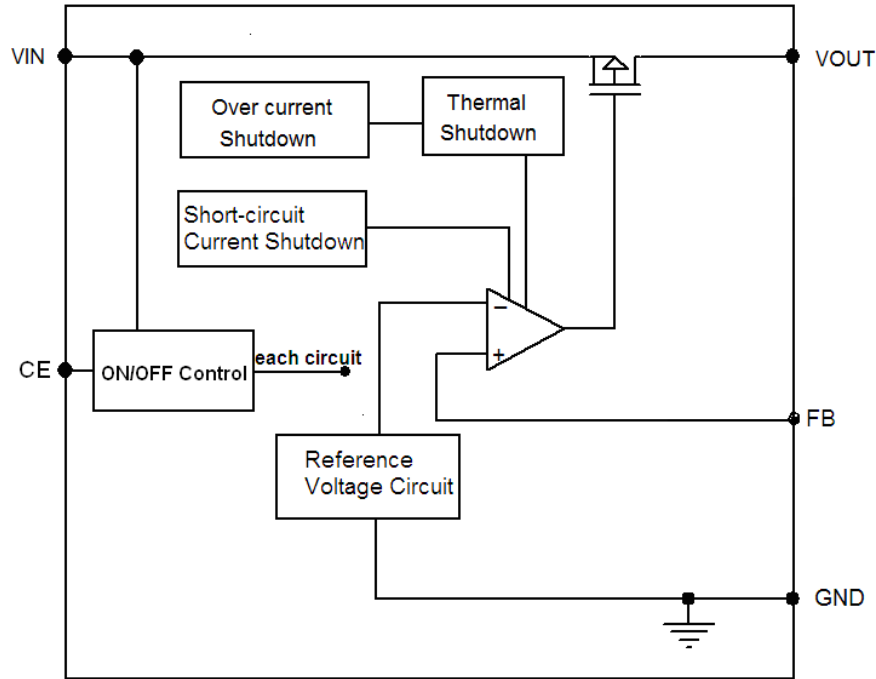


SOT23-5

## Pin Assignment

Pin Number	Pin Name	Functions
SOT23-5		
1	$V_{IN}$	Power Input Voltage
2	$V_{SS}$	Ground
3	CE	ON / OFF Control
4	FB	Feedback Voltage
5	$V_{OUT}$	Output Voltage

## Block Diagram



## Absolute Maximum Ratings

Parameter	Symbol	Ratings	Units
Input Voltage	$V_{IN}$	18	V
Output Current	$I_{OUT}$	500	mA
Output Voltage	$V_{OUT}$	$V_{SS}-0.3\sim 8.0$	V
CE Pin Voltage	$V_{CE}$	$V_{SS}-0.3\sim V_{IN}+0.3$	V
FB Pin Voltage	$V_{FB}$	$V_{SS}-0.3\sim V_{IN}+0.3$	V
Power Dissipation	SOT23-5	$P_D$	300
Operating Temperature Range	$T_{OPR}$	$-40\sim +150$	$^{\circ}C$
Storage Temperature Range	$T_{STG}$	$-55\sim +150$	$^{\circ}C$
Lead Temperature		$260^{\circ}C, 4sec$	

## Electrical Characteristics

( $V_{IN}=V_{OUT}+1$ ,  $V_{CE}=V_{IN}$ ,  $V_{OUT}=V_{FB}$ ,  $C_{IN}=C_{OUT}=1\mu F$ ,  $T_a=25^{\circ}C$ , unless otherwise noted)

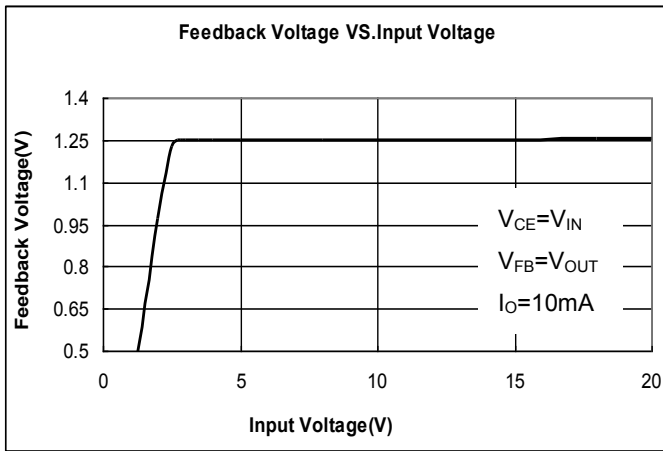
Parameter	Symbol	Conditions	Min.	Typ.	Max.	Units
Output Voltage	$V_{OUT(E)}$ (Note 2)	$I_{OUT}=30mA$ ,	X 0.98	$V_{OUT(T)}$ (Note 1)	X 1.02	V
Output Voltage Range	$V_{ROUT}$	$V_{IN}=V_{OUT(T)}+1V$ , $V_{CE}=V_{IN}$ Using test circuit 2	1.25		5.0	V
Maximum Output Current	$I_{OUTMAX}$	$V_{IN}=V_{OUT}+1V$ (Note1)		400	550	mA
Load Regulation	$\Delta V_{OUT}$	$1mA \leq I_{OUT} \leq 100mA$		4	10	mV
Dropout Voltage (Note 3)	$V_{DIF1}$	$I_{OUT}=100mA$		125	140	mV
	$V_{DIF2}$	$I_{OUT}=200mA$		250	270	mV
Supply Current	$I_{SS}$	$V_{IN}=3V$ , $V_{CE}=V_{IN}$		45	60	$\mu A$
Stand-by Current	$I_{CEL}$	$V_{IN}=3V$ , $V_{CE}=0V$		0	1	$\mu A$
Line Regulation (Note 1)	$\Delta V_{OUT}$	$I_{OUT}=30mA$ $V_{OUT}+1V \leq V_{IN} \leq 18V$		4	15	mV
CE "High" Voltage	$V_{CEH}$	$RL=1.0K\Omega$	1.3		18	V
CE "Low" Voltage	$V_{CEL}$	$RL=1.0K\Omega$	0		0.7	V
CE "High" Current	$I_{SH}$	$V_{CE}=7V$	-0.1		0.1	$\mu A$
CE "Low" Current	$I_{SL}$	$V_{CE}=0V$	-0.1		0.1	$\mu A$
Short-circuit Current	$I_{SHORT}$	$V_{OUT}=0V$		70		mA
Thermal Shutdown Protection	$T_{sd}$	$I_{OUT}=1mA$ ,		165		$^{\circ}C$
Over Current Protection	$I_{limit}$			600		mA

### Note :

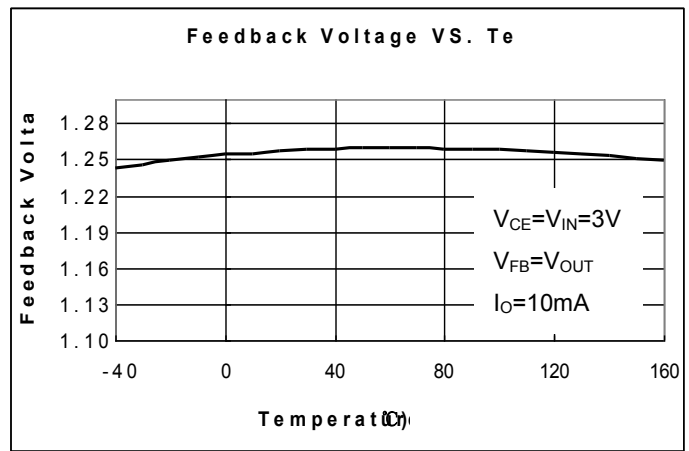
- $V_{OUT(T)}$  : Output Voltage less than 1.25V, the input Voltage should be 2.8V at least, and the others fulfil the rule of  $V_{in}=V_{out}+1$ .
- $V_{OUT(E)}$  : Effective Output Voltage ( i.e. The output voltage when " $V_{OUT(T)}+1.0V$ " is provided at the  $V_{in}$  pin while maintaining a certain  $I_{OUT}$  value.)
- $V_{DIF}$ :  $V_{IN1}-V_{OUT(E)}$   
 $V_{IN1}$  : The input voltage when  $V_{OUT(E)}$  appears as input voltage is gradually decreased.  
 $V_{OUT(E)}$ '=A voltage equal to 98% of the output voltage whenever an amply stabilized  $I_{OUT} \{V_{OUT(T)}+1.0V\}$  is input.

## Type Characteristics

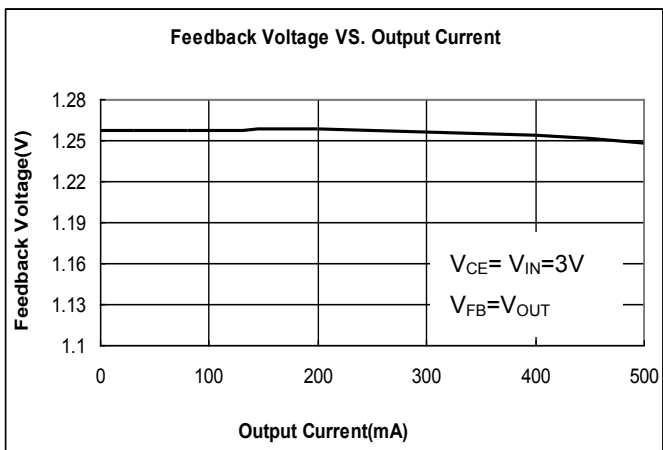
(1) Feedback Voltage VS. Input Voltage



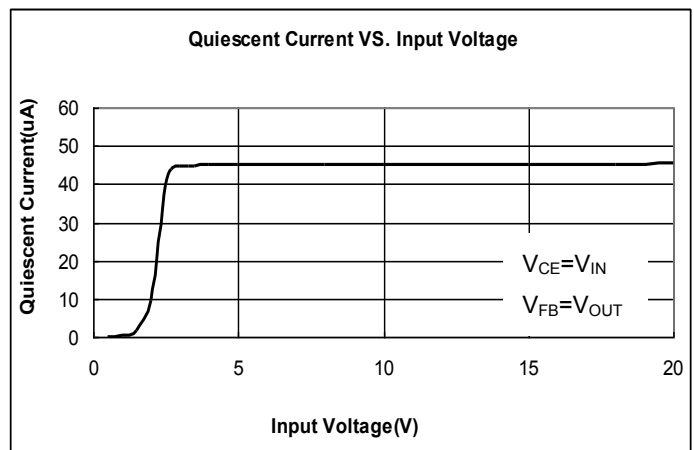
(2) Feedback Voltage VS. Temperature



(3) Feedback Voltage VS. Output Current

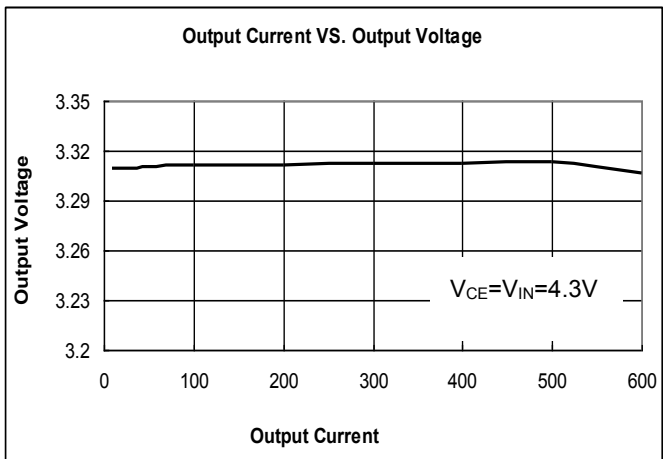


(4) Quiescent Current VS. Input Voltage



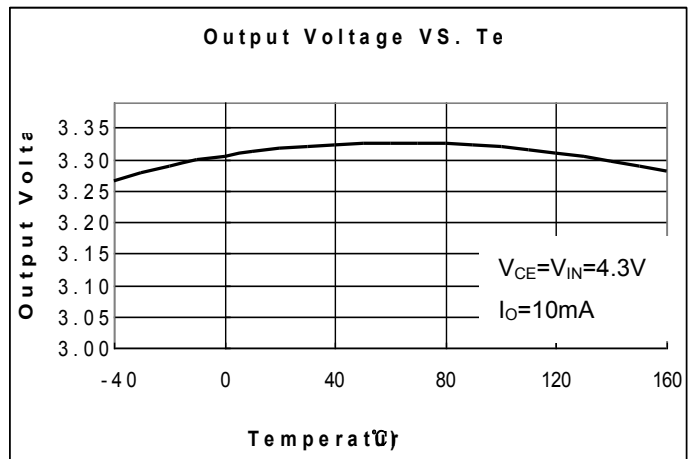
(5) Output Voltage VS. Output Current

( $V_{IN}=V_{OUT}+1V$ ,  $V_{OUT}=3.3V$ )

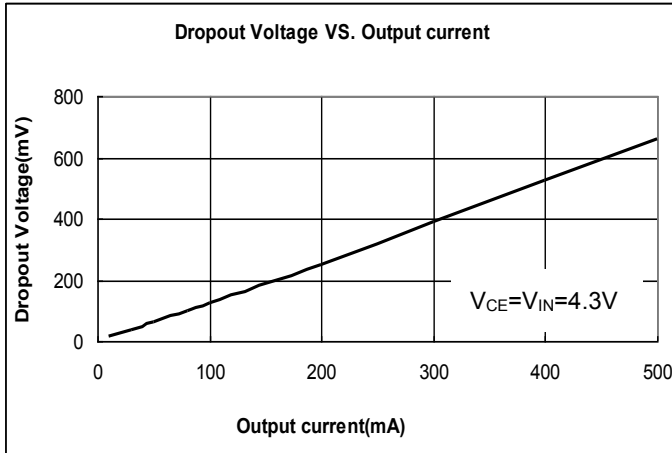


(6) Output Voltage VS. Temperature

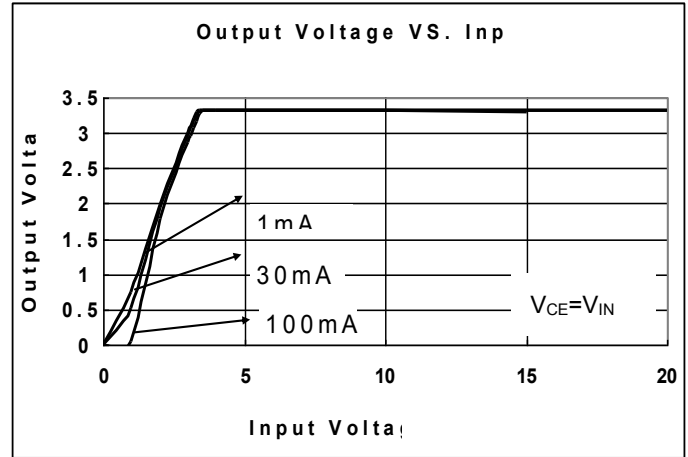
( $V_{IN}=V_{OUT}+1V$ ,  $V_{OUT}=3.3V$ ,  $I_{OUT}=10mA$ )



(7) Dropout Voltage VS. Output Current  
( $V_{IN}=V_{OUT}+1V, V_{OUT}=3.3V$ )



(8) Output Voltage VS. Input Voltage  
( $V_{OUT}=3.3V$ )



## Applications Information

### 1. Setting the Output Voltage

ME6221 series output voltage can be set via a external resistor. AS the internal reference is 1.25V (Typical), the external voltage can optionally set between 1.25V and 5.0V by connecting a extra resistor between the Vout and  $V_{FB}$  pins and a resistor between the  $V_{FB}$  and  $V_{SS}$  pins.

The output voltage is calculated as below:

$$V_{OUT} = 1.25 \times \left( 1 + \frac{R_1}{R_2} \right)$$

**Table 1:** Resistor selection for output voltage setting (e.g.)

$V_o$ (V)	R1 (K $\Omega$ )	R2 (K $\Omega$ )
1.8	53	120
2.5	120	120
3.0	168	120
3.3	197	120
3.6	225	120
5.0	360	120

**Caution:** The value of R2 is more than 100K in the best.

## 2. Input Bypass Capacitor

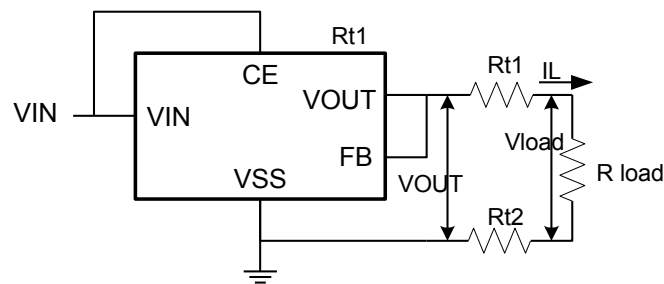
An input capacitor is recommended. A 1uF or more tantalum on the input is a suitable input bypassing for almost all applications.

## 3. Output Capacitor

The output capacitor is critical in maintaining regulator stability, and must meet the required conditions for both minimum amount of capacitance and ESR (Equivalent Series Resistance). The output capacitance required by the ME6221 is 2.2μF or more, if a tantalum capacitor is used. Any increase of the output capacitance will merely improve the loop stability and transient response. The ESR of the output capacitor should be less than 1Ω.

## 4. Load Regulation

The ME6221 regulates the voltage that appears between its output and adjust pins. In some cases, line resistances can introduce errors to the voltage across the load. To obtain the best load regulation, a few precautions are needed. Figure 1, shows a typical application. The  $R_{t1}$  and  $R_{t2}$  are the line resistances. It is obvious that the  $V_{LOAD}$  is less than the  $V_{OUT}$  by the sum of the voltage drops along the line resistances. In this case, the load regulation seen at the  $R_{LOAD}$  would be degraded from the datasheet specification. To improve this, the load should be tied directly to the output terminal on the positive side and directly tied to the ground terminal on the negative side.



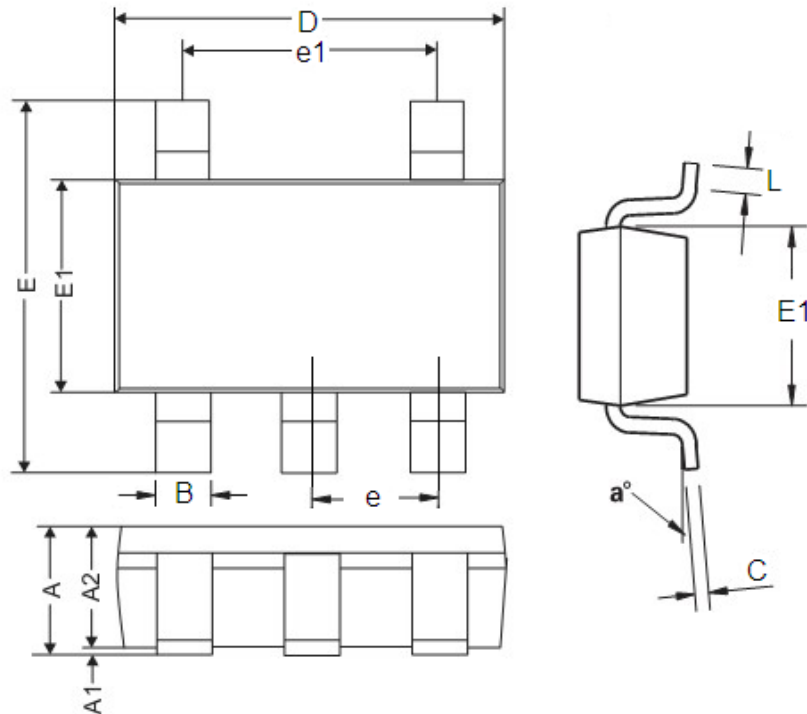
$$V_{load} = V_{OUT} - I_L(R_{t1} + R_{t2})$$

**Fig.1** Typical Application



## Packaging Information

- Packaging Type: SOT23-5



DIM	Millimeters		Inches	
	Min	Max	Min	Max
A	0.9	1.45	0.0354	0.0570
A1	0	0.15	0	0.0059
A2	0.9	1.3	0.0354	0.0511
B	0.2	0.5	0.0078	0.0196
C	0.09	0.26	0.0035	0.0102
D	2.7	3.1	0.1062	0.1220
E	2.6	3.1	0.0866	0.1181
E1	1.50	1.80	0.0511	0.0708
e	0.95REF		0.0374REF	
e1	1.90REF		0.0748REF	
L	0.10	0.60	0.0039	0.0236
a°	0°	30°	0°	30°

- The information described herein is subject to change without notice.
- Nanjing Micro One Electronics Inc is not responsible for any problems caused by circuits or diagrams described herein whose related industrial properties, patents, or other rights belong to third parties. The application circuit examples explain typical applications of the products, and do not guarantee the success of any specific mass-production design.
- Use of the information described herein for other purposes and/or reproduction or copying without the express permission of Nanjing Micro One Electronics Inc is strictly prohibited.
- The products described herein cannot be used as part of any device or equipment affecting the human body, such as exercise equipment, medical equipment, security systems, gas equipment, or any apparatus installed in airplanes and other vehicles, without prior written permission of Nanjing Micro One Electronics Inc.
- Although Nanjing Micro One Electronics Inc exerts the greatest possible effort to ensure high quality and reliability, the failure or malfunction of semiconductor products may occur. The user of these products should therefore give thorough consideration to safety design, including redundancy, fire-prevention measures, and malfunction prevention, to prevent any accidents, fires, or community damage that may ensue.