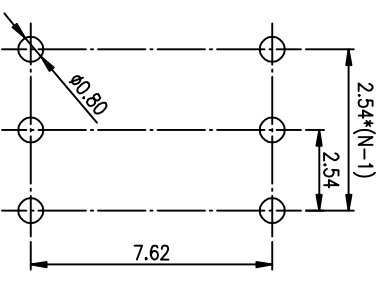
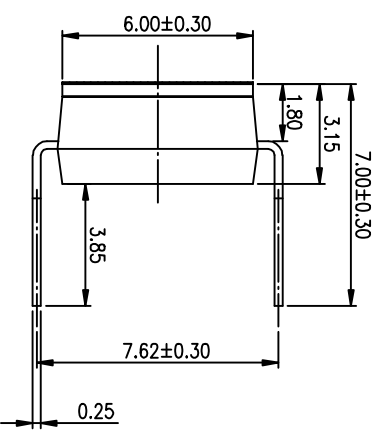
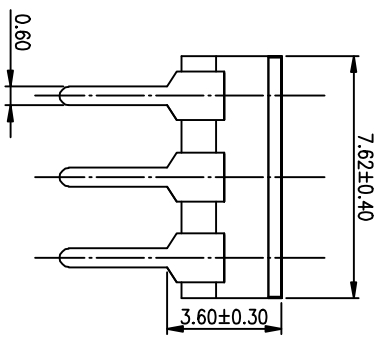
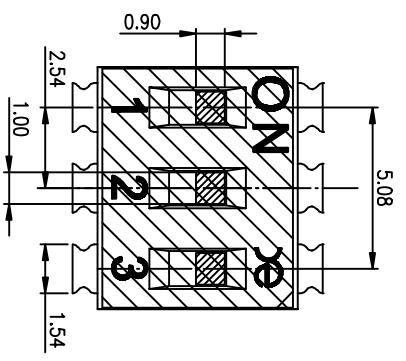
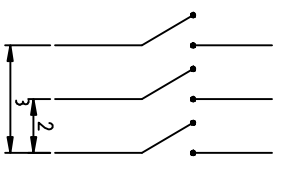


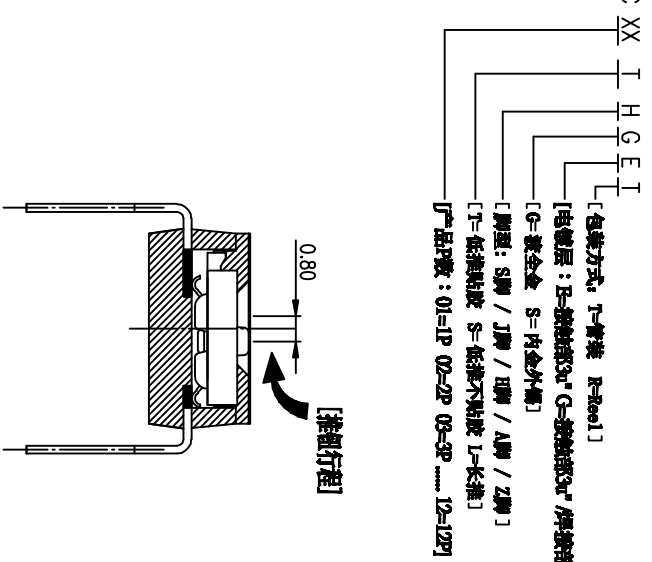
PRODUCT NO.	DISCO3THGET
ROHS COMPLIANT	



RECOMMENDED P.C.B. LAYOUT (TOP VIEW)



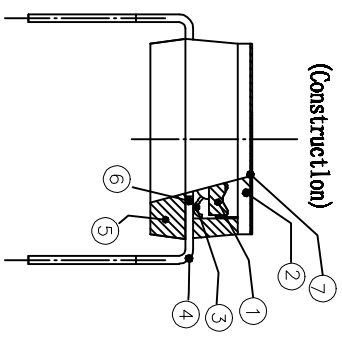
[Schematic]



3. PART NUMBER DESCRIPTION

DISC XX T H G E T

- NOTES :
1. Specification:
- 1> Operating force: 1000gf Max
 - 2> Operating Temperature: -40° to +85°
 - 3> Storage Temperature: -40° to +85°
 - 4> Mechanical Life: 3000cycles minimum
 - 5> Electrical Life: 2000cycles 25mA 24VDC
2. PLATING:
- GOLD FLASH 1u"(min.) SOLDER TAIL,
3u" GOLD PLATING ON THE CONTACT AREA,
WITH 50u" NICKEL UNDERPLATING OVERALL.



(Construction)

Number	Part Name	Material	Finished
①	Actuator	UL94 V0	White
②	Cover	UL94 V0	Black
③	Movable	Copper Alloy	3u"Gold
④	Terminal	Brass	1u"Gold
⑤	Base	UL94 V0	Black
⑥	Terminal Contact	Brass	3u"Gold
⑦	Mylar	UL94 V0	0.05mm

TOLERANCE UNLESS OTHERWISE SPECIFIED		INSPECTION COPY	
LINER	ANGLES	PROJECTION	COPY
0 ± 0.25	0 ± 2'		
.00 ± 0.15	.0 ± 1'		
.000± 0.10	.00± 0.5'	DESIGN	2012/04/12
DRAWING		PRAT NO.	DISCO3THGET
CHECK		FILE NO.	DISCO3THGET-A
APPRO.		SIZE	UNIT SCALE SHEET REV.
		A4	mm 2 : 1 1OF 1 A

KE 东莞市 睿家实业有限公司
Dongguan Kingtek Industrial Co., Ltd.

TITLE
BY DISC SERIES PITCH 2.54mm

PRODUCT FAMILY DISC SERIES