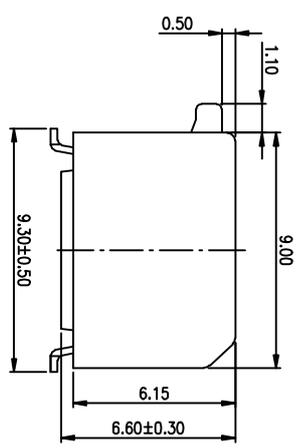
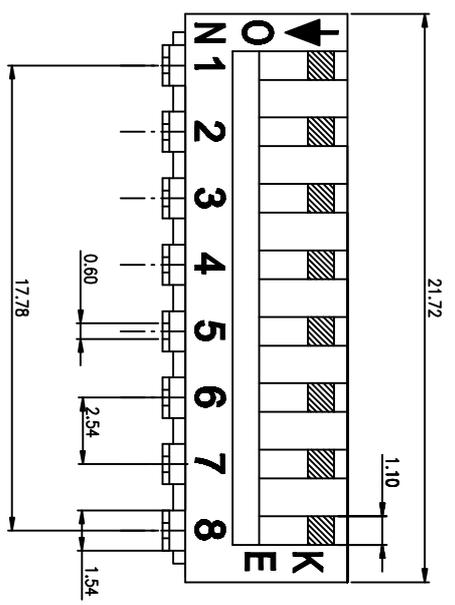


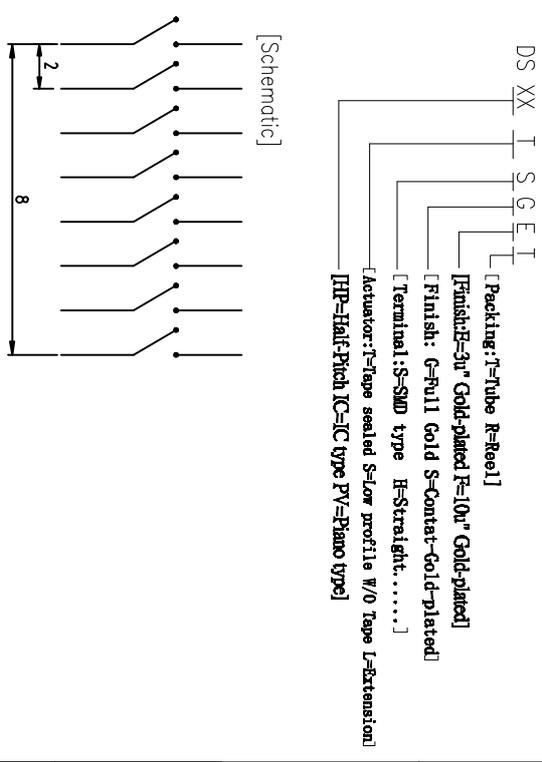
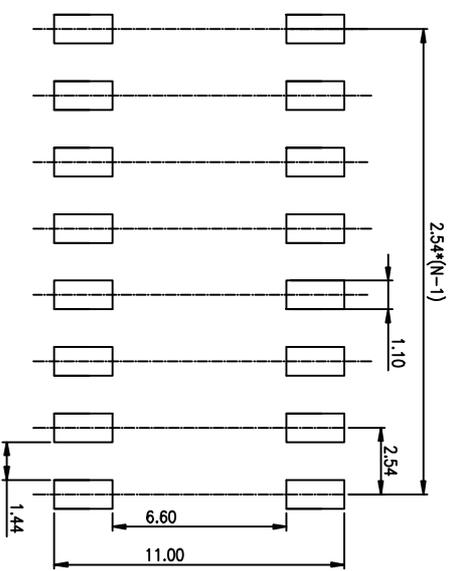
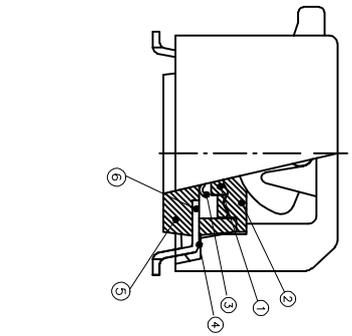
PRODUCT NO.	DSPV08LSCGT
RoHS compliant	

NOTES : 1 Specification:
 1>.Operating force:10000gf Max
 2>.Operating Temperature: -40° to+85°
 3>.Storage Temperature: -40° to+85°
 4>.Mechanical Life:3000cycles minimum
 5>Electrical Life:2000cycles minimum

REV.	ECN NO.	DR	DATE



- CONTACT RATING:
 1. SWITCHING: 25mA at 24VDC
 2. NON-SWITCHING: 100mA at 50VDC
 WITH 50u" NICKEL UNDERPLATINGOVERALL.
- PART NUMBER DESCRIPTION :



Number	Part Name	Material	Finished
①	Actuator	UL94 V0	White
②	Cover	UL94 V0	Black
③	Movable	Copper Alloy	3u" Gold
④	Terminal	Brass	1u" Gold
⑤	Base	UL94 V0	Black
⑥	Terminal Contact	Brass	3u" Gold

TOLERANCE UNLESS OTHERWISE SPECIFIED		INSPECTION COPY	
LINER	ANGLES	PROJECTION	COPY
0 ± 0.25	0 ± 2'		BY DSPV SERIES PITCH 2.54mm
.00 ± 0.15	.0 ± 1'		
.000 ± 0.10	.00 ± 0.5'		

DESIGN	kathy	03/20/12'
DRAWING		
CHECK		
APPRO.		

FILE NO.	DSPV08LSCGT-A
SIZE	A4
UNIT	mm
SCALE	1:1
SHEET	1 OF 1
REV.	A



东莞市广睿实业有限公司
 Dongguan Kingtek Industrial Co., Ltd.

PRODUCT FAMILY DSPV SERIES
 PRAT NO. DSPV08LSCGT

BY DSPV SERIES PITCH 2.54mm

FILE NO. DSPV08LSCGT-A
 SIZE A4
 UNIT mm
 SCALE 1:1
 SHEET 1 OF 1
 REV. A