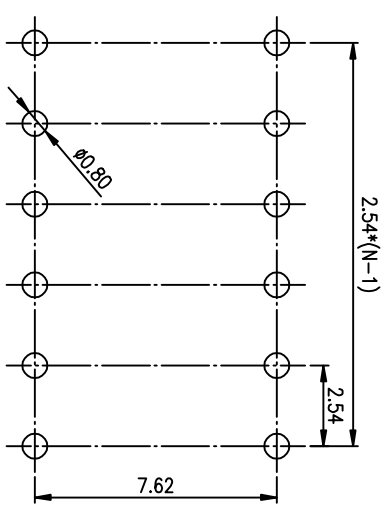
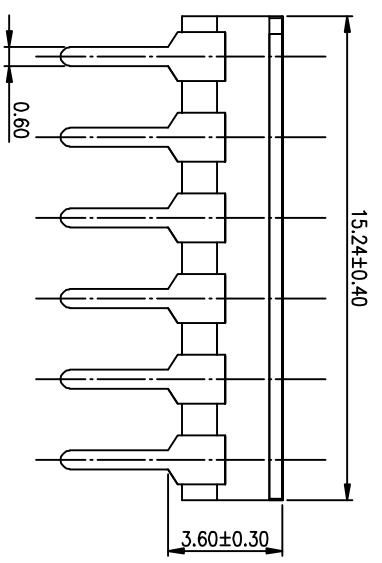
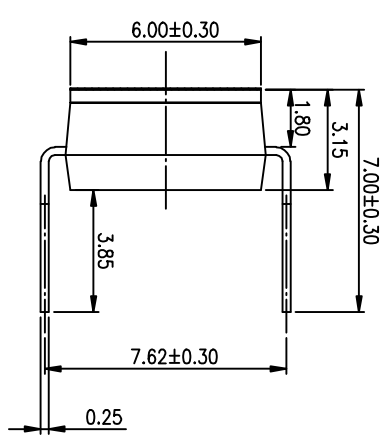
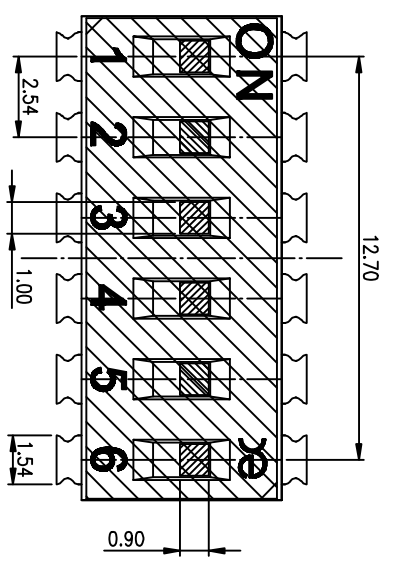
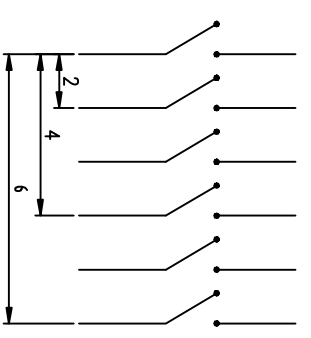


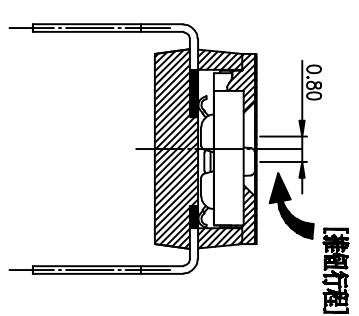
<b>PRODUCT NO.</b> DISC06THGET	<b>NO.</b> 1	<b>RoHS compliant</b>
-----------------------------------	-----------------	-----------------------



**RECOMMENDED P.C.B. LAYOUT (TOP VIEW)**



[Schematic]

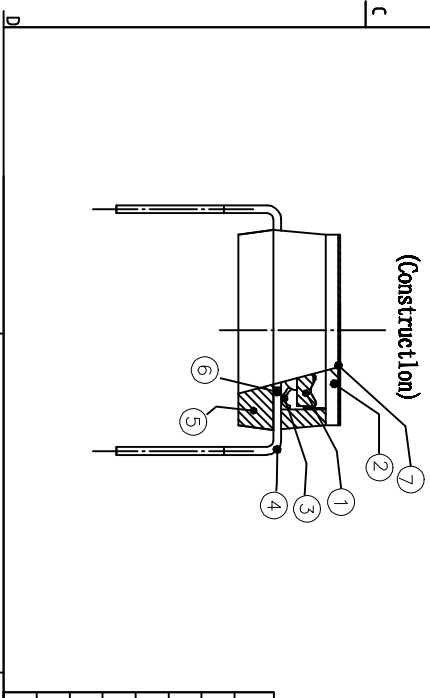


[推板行程]

- NOTES :
1. Specification:
- 1> Operating force: 1000gf Max
  - 2> Operating Temperature: -40° to +85°
  - 3> Storage Temperature: -40° to +85°
  - 4> Mechanical Life: 3000cycles minimum
  - 5> Electrical Life: 2000cycles 25mA 24VDC
2. PLATING:
- GOLD FLASH 1u"(min.) SOLDER TAIL,
  - 3u" GOLD PLATING ON THE CONTACT AREA,
  - WITH 50u" NICKEL UNDERPLATING OVERALL.

3. PART NUMBER DESCRIPTION

- DISC XX T H G E T
- [包装方式: T=管装 R=盒装]
  - [电镀层: B=镀锡3u" G=镀镍3u" / 厚镀层: 2u"]
  - [G=鍍金 S=內金外鍍]
  - [脚型: S脚 / J脚 / 球脚 / A脚 / Z脚]
  - [T=低接触度 S=低接触度 L=长推]
  - [产品规格: 01=1P 02=2P 03=3P ..... 12=12P]



Number	Part Name	Material	Finished
①	Actuator	UL94 VO	White
②	Cover	UL94 VO	Black
③	Movable	Copper Alloy	3u"Gold
④	Terminal	Brass	1u"Gold
⑤	Base	UL94 VO	Black
⑥	Terminal Contact	Brass	3u"Gold
⑦	Mylar	UL94 VO	0.05mm

TOLERANCE UNLESS OTHERWISE SPECIFIED		INSPECTION	
LINER	ANGLES	COPY	PROJECTION
0 ± 0.25	0 ± 2°		
.00 ± 0.15	.0 ± 1°		
.000 ± 0.10	.00 ± 0.5°		
DESIGN		2012/04/12	
DRAWING			
CHECK			
APPRO.			

<b>东莞市金捷实业有限公司</b> Dongguan Kingtek Industrial Co., Ltd.			
TITLE			
BY DISC SERIES PITCH 2.54mm			
PRODUCT FAMILY DISC SERIES			
PRAT NO.	DISC06THGET		
FILE NO.	DISC06THGET-A		
SIZE	UNIT	SCALE	SHEET REV.
A4	mm	2 : 1	1 OF 1 A