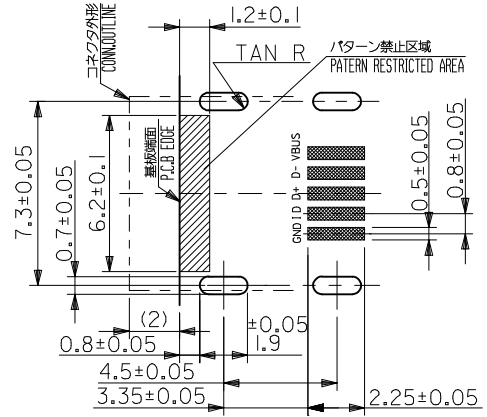
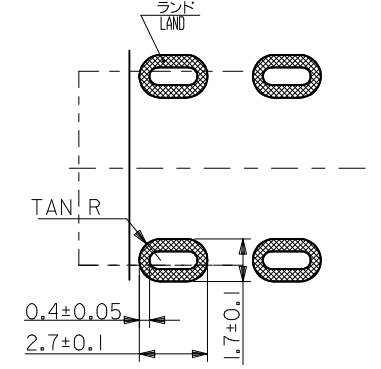


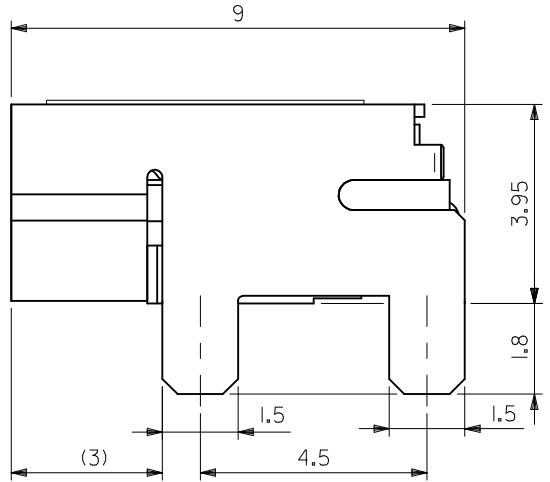
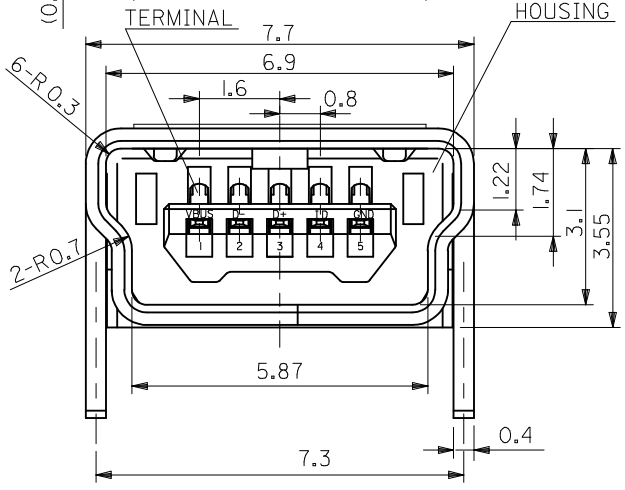
コネクタ実装側 (CONNECTOR MOUNT SIDE)



逆側 (REVERSE SIDE)



推奨基板寸法
RECOMMENDED P.C.B. PATTERN LAYOUT



注記 1. 材質
NOTES MATERIAL

- ハウジング: ポリアミド, ガラス充填, 黒色, UL94V-0
- HOUSING: PA, GLASS FILLED, BLACK, UL94V-0
- ターミナル: 銅合金 (t=0.2)
- TERMINAL: COPPER ALLOY (t=0.2)
- シールド ケース: 銅合金 (t=0.4)
- SHIELD CASE: COPPER ALLOY (t=0.4)
- カバー テープ: ポリイミド (t=0.08)
- COVER TAPE: POLYIMIDE (t=0.08)

2. メッキ仕様
PLATING

- ターミナル
- TERMINAL
- 接点部: 金メッキ 0.75 MICROMETER MIN.
- CONTACT AREA: GOLD 0.75 MICROMETER MIN.
- 半田付け部: 錫メッキ 1.0 MICROMETER MIN.
- SOLDER TAIL AREA: TIN 1.0 MICROMETER MIN.
- 下地部: ニッケルメッキ 1.25 MICROMETER MIN.
- UNDER PLATING: NICKEL 1.25 MICROMETER MIN.
- シールド ケース
- SHIELD CASE
- : 錫メッキ 1.0 MICROMETER MIN.
- : TIN 1.0 MICROMETER MIN.
- 下地部: ニッケルメッキ 1 MICROMETER MIN.
- UNDER PLATING: NICKEL 1 MICROMETER MIN.

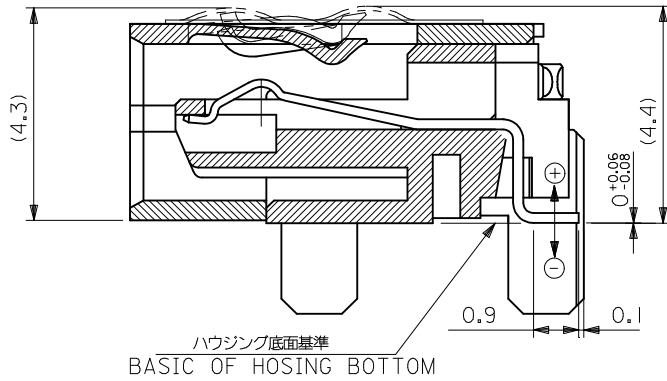
3. テールの平坦度は 0.1mm MAX.
TAIL COPLANARITY 0.1mm MAX.

4. 本製品は 54819-0581 の鉛フリー品である。

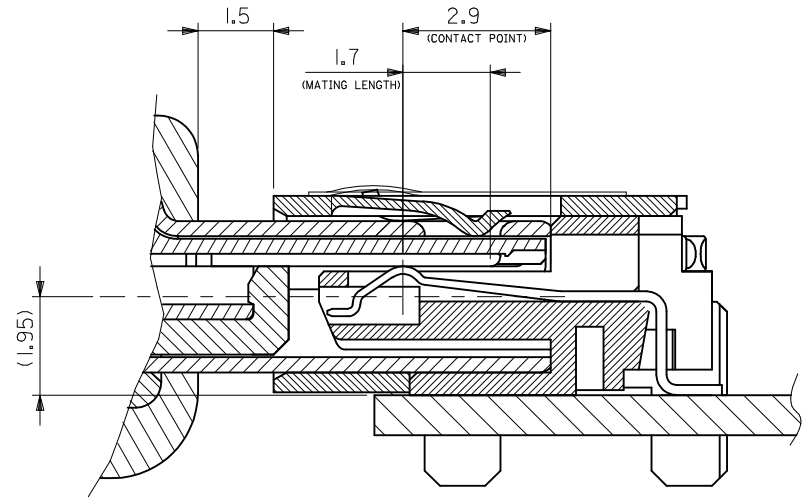
THIS PRODUCT IS LEAD FREE OF 54819-0581.

54819-0589	54819-0582
EMBOSSED TAPE	MATERIAL No.
ORDER No.	
MODEL No.54819-***82	

REVISED EC NO: J2009-1533 DRW: NESATO 2009/06/25 CHKD: MATSUMOTO 2009/06/25 APPR: NUKITA 2009/06/25	DESCRIPTION REV	GENERAL TOLERANCES (UNLESS SPECIFIED)		DIMENSION STYLE	SCALE	DESIGN UNITS	THIRD ANGLE PROJECTION
				MM ONLY	10:1	METRIC	
		10 UNDER	±0.2	DRAWN BY	DATE	TITLE	
		10 OVER 30 UNDER	±0.25	M. NABE I	'04/10/21	USB SERIES MINI-B (DIP2) RECEPTACLE ASS'Y -LEAD FREE-	
		30 OVER	±0.3	CHECKED BY	DATE		
		ANGULAR ±3 °		APPROVED BY	DATE		
		DRAFT WHERE APPLICABLE MUST REMAIN WITHIN DIMENSIONS		N. UKITA	'04/10/21		
				MATERIAL NO.		DOCUMENT NO.	SHEET NO.
				SEE TABLE		SD-54819-030	1 OF 2
				SIZE	THIS DRAWING CONTAINS INFORMATION THAT IS PROPRIETARY TO MOLEX INCORPORATED AND SHOULD NOT BE USED WITHOUT WRITTEN PERMISSION		
				A3			



SECTION

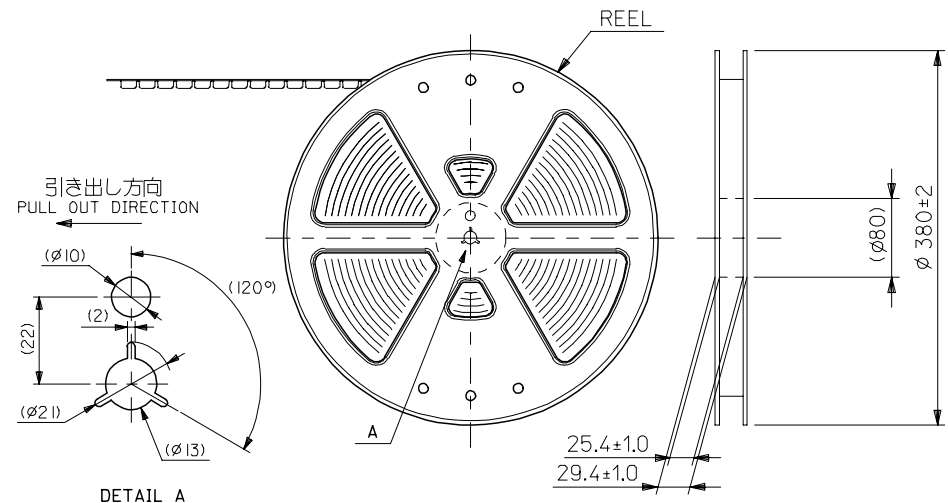


MATING

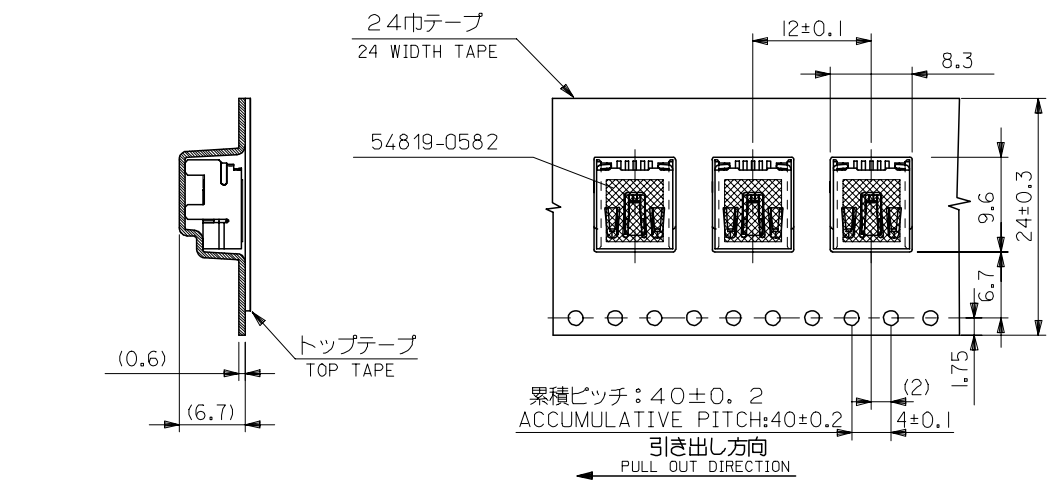
MODEL No.54819-***82

REVISED EC NO: J2009-1533 DRW:ESATO 2009/06/25 CHK'D:MATSUMOTO 2009/06/25 APPR:NUKITA 2009/06/25	GENERAL TOLERANCES (UNLESS SPECIFIED)		DIMENSION STYLE MM ONLY	SCALE 10:1	DESIGN UNITS METRIC	THIRD ANGLE PROJECTION	
	10 UNDER	±0.2	DRAWN BY M. NABEI	DATE '04/10/21	TITLE USB SERIES MINI-B (DIP2) RECEPTACLE ASS'Y -LEAD FREE-		
	10 OVER 30 UNDER	±0.25	CHECKED BY K. TOJO	DATE '04/10/21			
	30 OVER	±0.3	APPROVED BY N. UKITA	DATE '04/10/21	MOLEX INCORPORATED DOCUMENT NO. SD-54819-030 SHEET NO. 2 OF 2		
ANGULAR ±3 °		MATERIAL NO. SEE SHEET 1					
DRAFT WHERE APPLICABLE MUST REMAIN WITHIN DIMENSIONS		THIS DRAWING CONTAINS INFORMATION THAT IS PROPRIETARY TO MOLEX INCORPORATED AND SHOULD NOT BE USED WITHOUT WRITTEN PERMISSION					

10 9 8 7 6 5 4 3 2 1



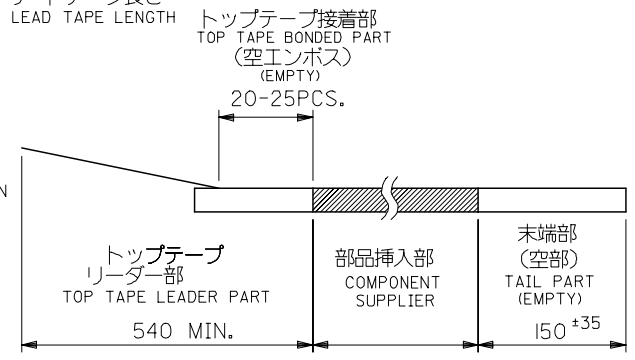
DETAIL A



累積ピッチ: 40 ± 0.2
 ACCUMULATIVE PITCH: 40 ± 0.2
 エンボステープ内の製品の向き
 DIRECTION OF CONNECTOR IN EMBOSSED TAPE

NOTES

- 54819-0582 の詳細は SD-54819-030 参照
 IN THE PACKAGE PART NO.54819-0582 DETAILED, SEE SD-54819-030.
- 梱包数量: 900 個/リール
 NUMBER OF CONNECTORS: 900 PCS/REEL
- リードテープ長さ
 LEAD TAPE LENGTH



- トップテープの剥離強度: $0.1 \sim 1.3N$ (10-130gf)
 (剥離方向は下図参照) キャリアテープ幅: 2.4mm
 CARRIER TAPE WIDTH
 PEEL-OFF FORCE OF TOP TAPE: $0.1 \sim 1.3N$ (10-130gf)
 (PEELING DIRECTION AS SHOWN IN FOLLOWING FIG.)
 尚、本規格値は、出荷時に適用。
 THIS REQUIREMENT SHOULD BE APPLIED AT SHIPMENT
 (但し、輸送時に剥離が発生しない事。)
 (PEEL OFF SHOULD NOT BE ALLOWED, DURING TRANSPORTATION)

- 材料
 MATERIAL
 キャリアテープ: ポリプロピレン
 CARRIER TAPE: POLYPROPYLENE
 トップテープ: ポリエステル, ポリエチレン
 TOP TAPE: POLYESTER, POLYETHYLENE
 リール: ポリスチレン
 REEL: POLYSTYRENE

- 本製品は 54819-0588 の鉛フリー品である。
 THIS PRODUCT IS LEAD FREE OF 54819-0588.

RELEASED EC NO: J2005-1196 DRAWN: MNABE1 CHKD: KTOJO APPR: NUKITA 2004/10/26 2004/10/26 2004/10/28	GENERAL TOLERANCES (UNLESS SPECIFIED)		DIMENSION STYLE MM ONLY		SCALE 2:1	DESIGN UNITS METRIC	THIRD ANGLE PROJECTION
	10 UNDER	±0.2	DRAWN BY MNABE1	DATE '04/10/21	TITLE USB SERIES MINI-B (DIP2) REC. HS'G EMBOSSED ASS'Y -LEAD FREE-		
	10 OVER 30 UNDER	±0.25	CHECKED BY KTOJO	DATE '04/10/21			
	30 OVER	±0.3	APPROVED BY NUKITA	DATE '04/10/21	MOLEX INCORPORATED		
	ANGULAR	±3 °	MATERIAL NO. 54819-0589	DOCUMENT NO. SD-54819-031			
0	DRAFT WHERE APPLICABLE MUST REMAIN WITHIN DIMENSIONS		SIZE A3		THIS DRAWING CONTAINS INFORMATION THAT IS PROPRIETARY TO MOLEX INCORPORATED AND SHOULD NOT BE USED WITHOUT WRITTEN PERMISSION		

Mouser Electronics

Authorized Distributor

Click to View Pricing, Inventory, Delivery & Lifecycle Information:

[Molex:](#)

[54819-0589](#)