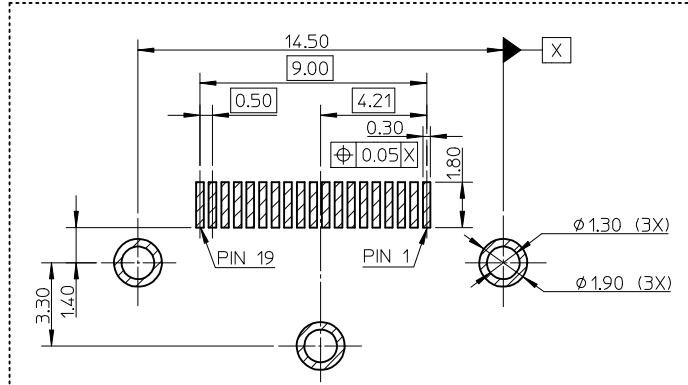
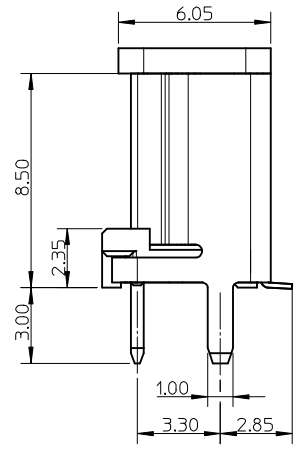
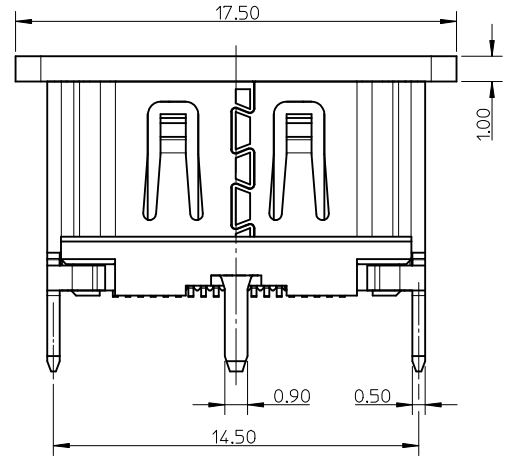
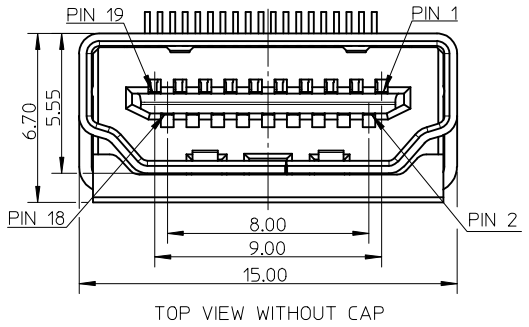
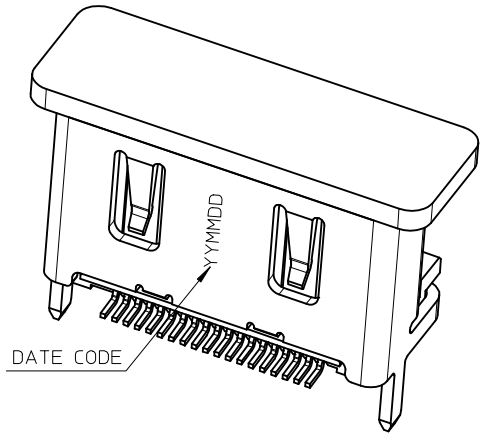
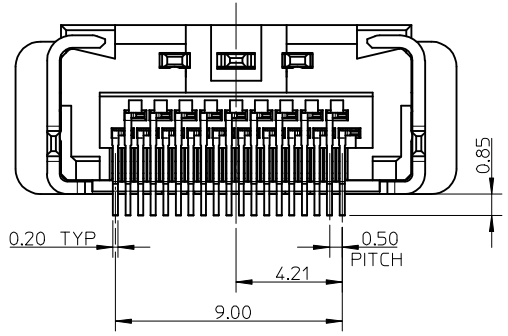


NOTES:

1. MATERIAL:
  - HOUSING: HIGH TEMPERATURE THERMAL PLASTIC, COLOR: BLACK;
  - SHELL: COPPER ALLOY;
  - TERMINAL: COPPER ALLOY.
2. PLATING:
  - TERMINAL:
    - CONTACT AREA: SEE TABLE;
    - SOLDER AREA: 1 MICROMETER MIN. TIN-BISMUTH ALLOY PLATED;
    - UNDER PLATE: 1.27 MICROMETER MIN. NICKEL.
  - SHELL: 1 MICROMETER MIN. SOLDERABLE NICKEL PLATING OVERALL.
3. COPLANARITY: 0.10mm MAX.
4. PRODUCT SPECIFICATION REFER TO PS-47152-001; TBA FOR PD/NI OPTION.
5. PACKAGE SPECIFICATION REFER TO PK-47659-001.
6. PRODUCT COMPLIANT TO RoHS DIRECTIVE 2011/65/EU AND ELV DIRECTIVE 2000/53/EC.



47659-1003	0.05 MICROMETER MIN. GOLD PLATING OVER 0.70 MICROMETER MIN. PD/NI PLATING
47659-1002	GOLD FLASH
47659-1001	0.38 MICROMETER MIN GOLD PLATING
47659-1000	0.76 MICROMETER MIN GOLD PLATING
P/N	CONTACT AREA PLATING

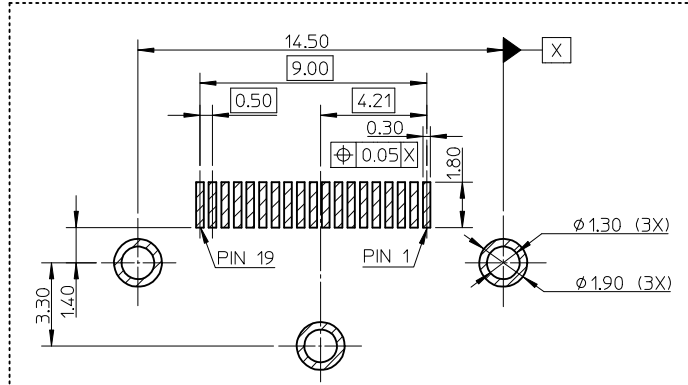
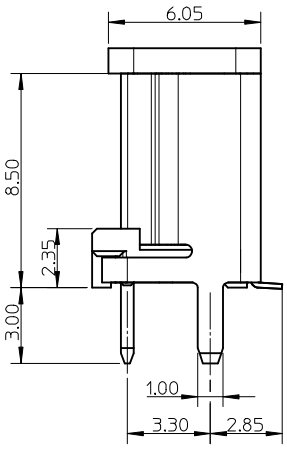
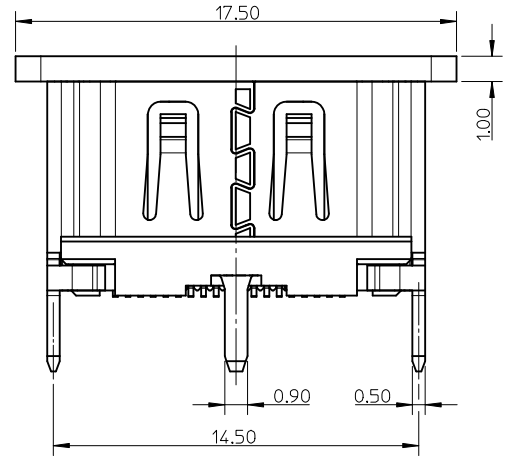
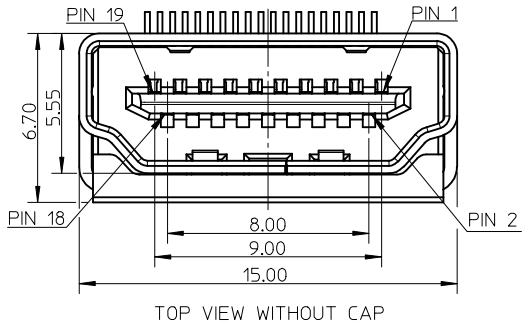
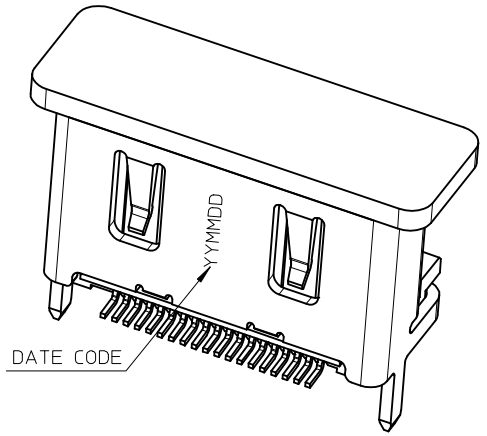


RECOMMENDED PCB LAYOUT  
CONNECTOR SIDE  
THICKNESS=1.60mm  
(GENERAL TOLERANCE: ±0.05)

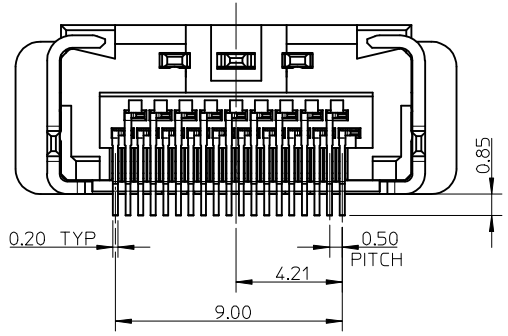
ADD NEW P/N EC NO: S2014-0433 DRW:HLWANG06 CHKD:ZENG APPR:KHLIM 2013/07/26 2014/01/21 2014/01/21	QUALITY SYMBOLS ▽=0 ◻=0	GENERAL TOLERANCES (UNLESS SPECIFIED)		DIMENSION STYLE MM ONLY		SCALE 5:1		DESIGN UNITS METRIC		THIRD ANGLE PROJECTION			
A2	DESCRIPTION	4 PLACES ± --- ± --- 3 PLACES ± --- ± --- 2 PLACES ± 0.20 ± --- 1 PLACE ± 0.30 ± --- ANGULAR ± 1/2°		DRAWN BY CWTANG		DATE 2008/09/03		TITLE SALED DRAWING FOR HDMI RECEPTACLE VERTICAL SMT TYPE WITH HEIGHT 8.5					
		DRAFT WHERE APPLICABLE MUST REMAIN WITHIN DIMENSIONS		CHECKED BY XJSONG		DATE 2008/09/03		MOLEX INCORPORATED					
				APPROVED BY HARVEY		DATE 2008/09/03		MATERIAL NO. SEE TABLE		DOCUMENT NO. SD-47659-100		SHEET NO. 1 OF 1	
THIS DRAWING CONTAINS INFORMATION THAT IS PROPRIETARY TO MOLEX INCORPORATED AND SHOULD NOT BE USED WITHOUT WRITTEN PERMISSION													

NOTES:

1. MATERIAL:
  - HOUSING: HIGH TEMPERATURE THERMAL PLASTIC, COLOR: BLACK;
  - SHELL: COPPER ALLOY;
  - TERMINAL: COPPER ALLOY.
2. PLATING:
  - TERMINAL:
    - CONTACT AREA: SEE TABLE;
    - SOLDER AREA: 1 MICROMETER MIN. TIN-BISMUTH ALLOY PLATED;
    - UNDER PLATE: 1.27 MICROMETER MIN. NICKEL.
  - SHELL: 1 MICROMETER MIN. SOLDERABLE NICKEL PLATING OVERALL.
3. COPLANARITY: 0.10mm MAX.
4. PRODUCT SPECIFICATION REFER TO PS-47152-001; TBA FOR PD/NI OPTION.
5. PACKAGE SPECIFICATION REFER TO PK-47659-001.
6. PRODUCT COMPLIANT TO RoHS DIRECTIVE 2011/65/EU AND ELV DIRECTIVE 2000/53/EC.



47659-1003	0.05 MICROMETER MIN. GOLD PLATING OVER 0.70 MICROMETER MIN. PD/NI PLATING
47659-1002	GOLD FLASH
47659-1001	0.38 MICROMETER MIN GOLD PLATING
47659-1000	0.76 MICROMETER MIN GOLD PLATING
P/N	CONTACT AREA PLATING



ADD NEW P/N EC NO: S2014-0433 DRW:HLWANG06 CHKD:ZENG APPR:KLLIM	2013/07/26 2014/01/21 2014/01/21	QUALITY SYMBOLS ▽=0 ◻=0	GENERAL TOLERANCES (UNLESS SPECIFIED)		DIMENSION STYLE MM ONLY		SCALE 5:1		DESIGN UNITS METRIC		THIRD ANGLE PROJECTION		
				mm	INCH	DRAWN BY	DATE	TITLE					
			4 PLACES	± ---	± ---	CWTANG	2008/09/03	SALED DRAWING FOR HDMI RECEPTACLE VERTICAL SMT TYPE WITH HEIGHT 8.5 MOLEX INCORPORATED					
			3 PLACES	± ---	± ---	CHECKED BY	DATE						
2 PLACES	± 0.20	± ---	XJSONG	2008/09/03	APPROVED BY HARVEY 2008/09/03								
1 PLACE	± 0.30	± ---	ANGULAR ± 1/2°		MATERIAL NO. SEE TABLE		DOCUMENT NO. SD-47659-100		SHEET NO. 1 OF 1				
DRAFT WHERE APPLICABLE MUST REMAIN WITHIN DIMENSIONS			SIZE A3		THIS DRAWING CONTAINS INFORMATION THAT IS PROPRIETARY TO MOLEX INCORPORATED AND SHOULD NOT BE USED WITHOUT WRITTEN PERMISSION								