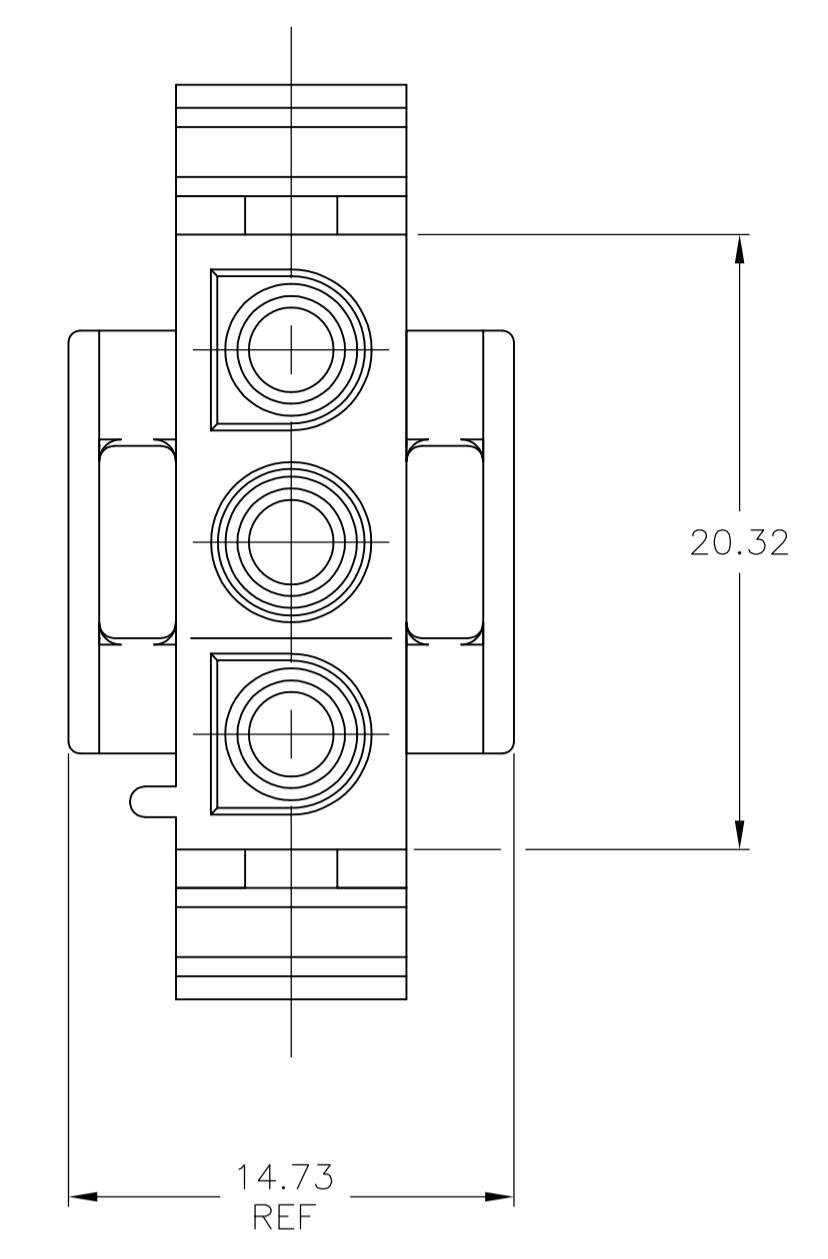
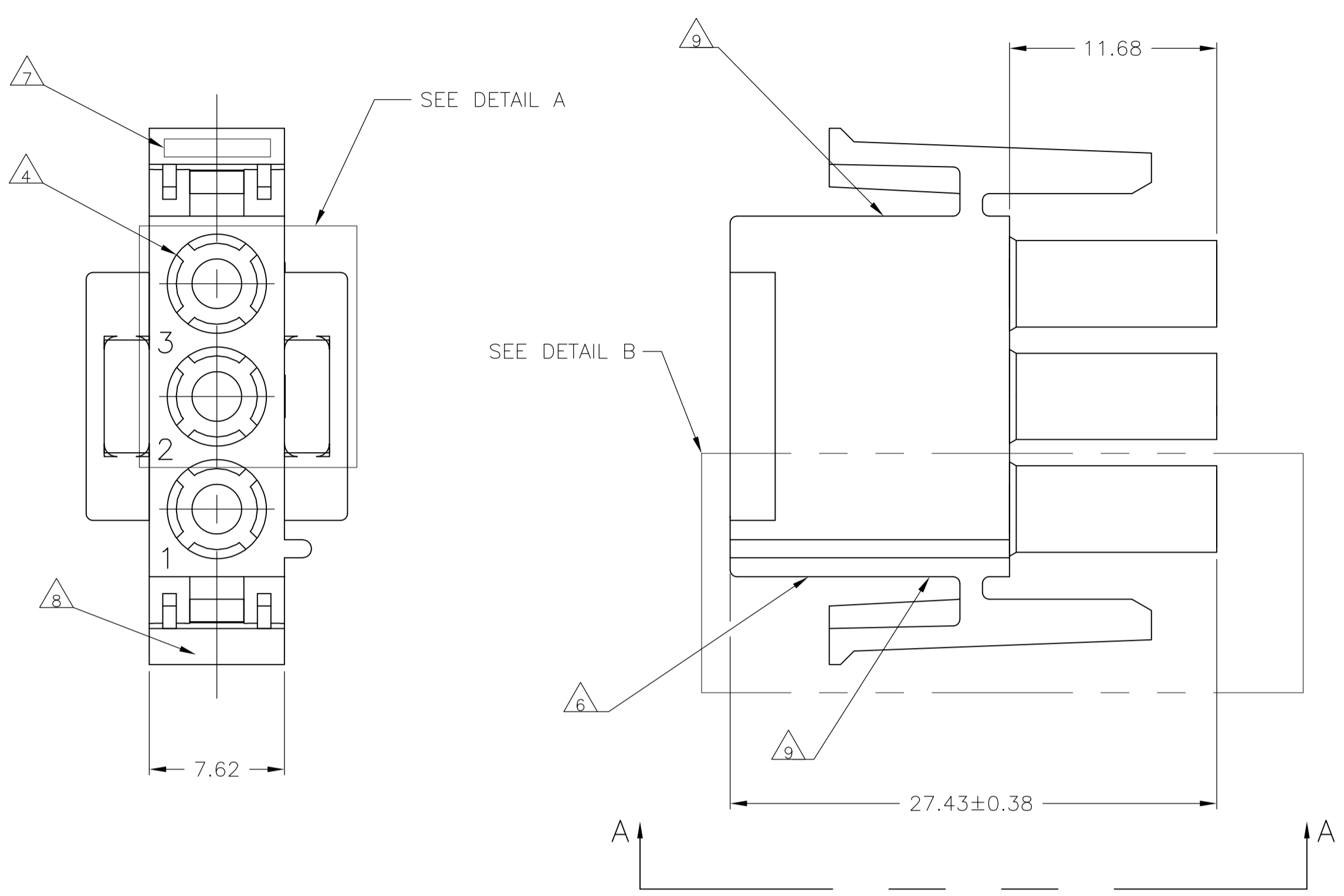
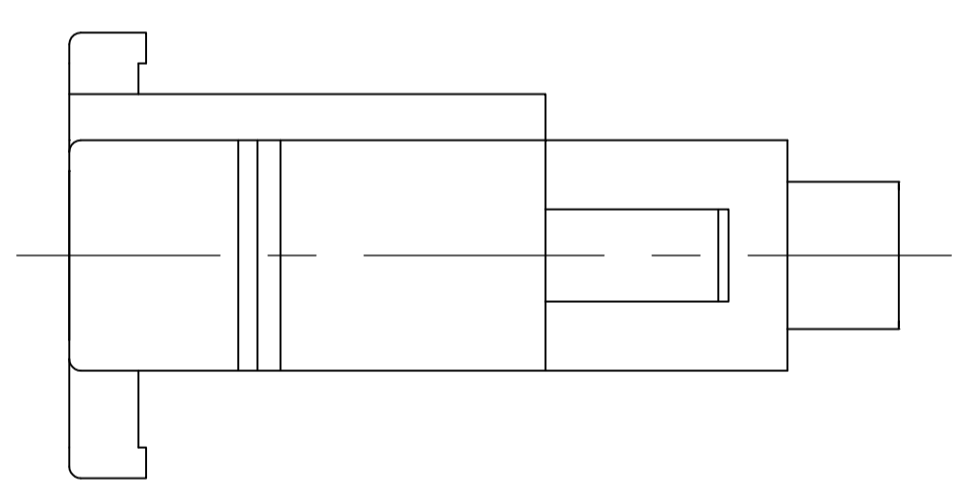


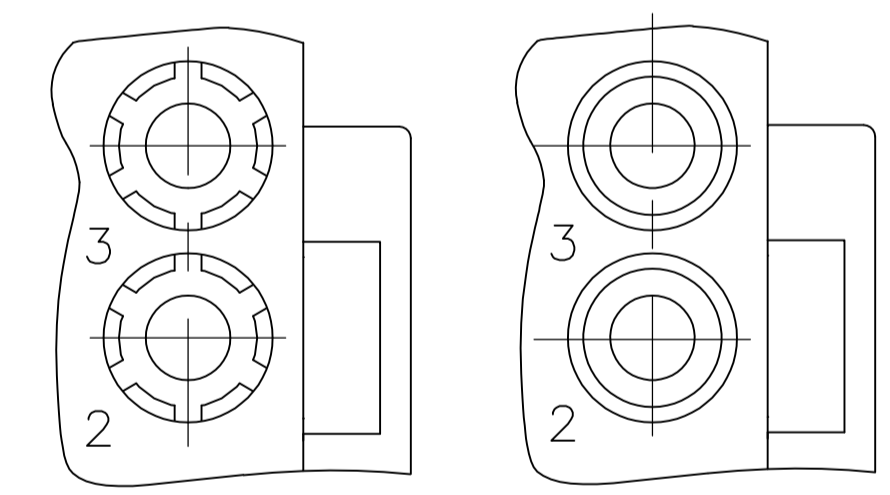
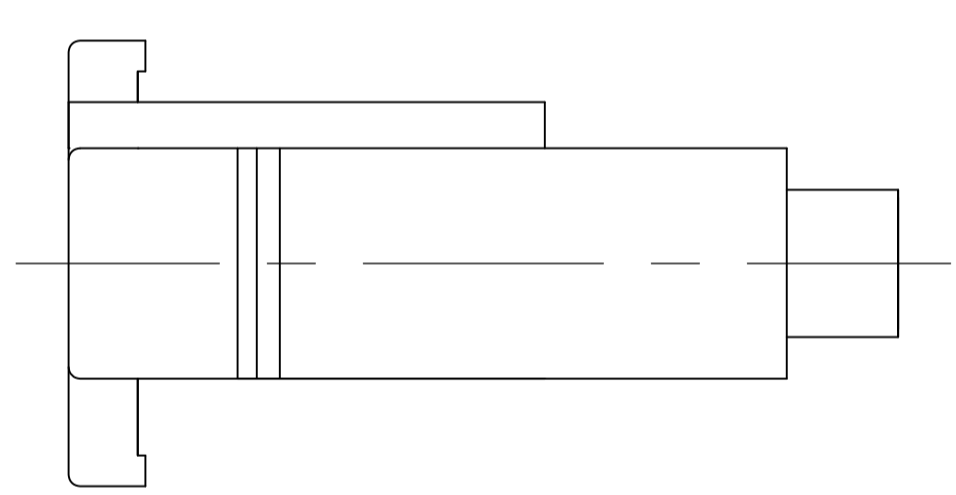
REVISIONS					
P	LTR	DESCRIPTION	DATE	DWN	APVD
Y5	REVISED PER	ECR-17-006277	24MAY2017	BW	KR



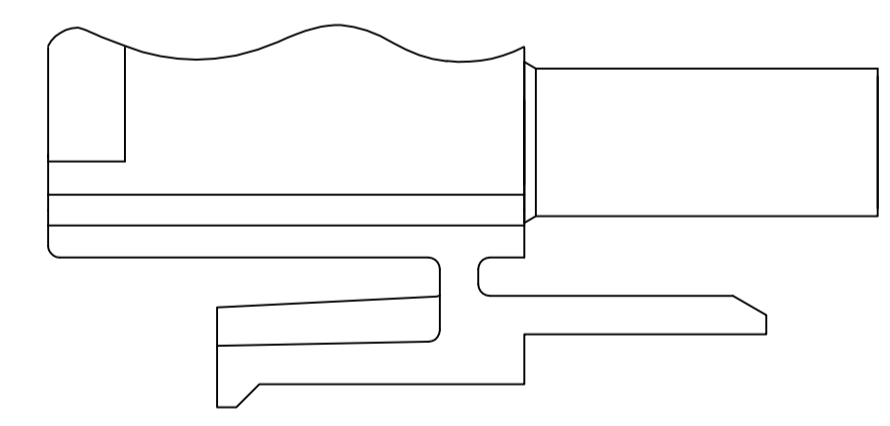
- MATES WITH APPROPRIATE UNIVERSAL MATE-N-LOK™ CAP OR HEADER.
 - SMALL NICKS ARE PERMITTED ON THE CIRCUIT TOWERS WHICH COULD INCREASE THE INITIAL HOUSING MATING FORCE BY UP TO 4.4 NEWTONS [1.0 LBS]. NO INDIVIDUAL NICKED TOWER SHALL INCREASE THIS FORCE BY OVER 2.2 NEWTONS [.5 LBS].
 - DIMENSIONS SHOWN REPRESENT PRODUCT IN DRY, AS MOLDED, CONDITION. ADDITIONAL 2% GROWTH DUE TO SUBSEQUENT MOISTURE ABSORPTION MAY OCCUR AND SHOULD BE ACCOUNTED FOR.
- △4 FOUR RIBS EQUALLY SPACED, NO SPECIFIC ORIENTATION. NO RIBS OR SIX RIBS EQUALLY SPACED, NO SPECIFIC ORIENTATION, OPTIONAL.
 - △5 NOT MANUFACTURED IN U.S.
 - △6 UNDERWRITERS RECOGNIZED COMPONENT LOGO AND CSA CERTIFICATION LOGO TO BE LOCATED ONCE EACH ON SIDE OF HOUSING.
 - △7 TRADEMARK LOCATION (AMP OR TE CONNECTIVITY).
 - △8 MANUFACTURING LOCATION ID (OPTIONAL).
 - △9 PRESENCE OF MOLD RELEASE RIBS IS OPTIONAL. RIBS DO NOT AFFECT FIT OR FUNCTION OF PRODUCT. SEE DETAIL C FOR CONSTRUCTION OPTIONS WITH 1, 2, OR 3 RIBS



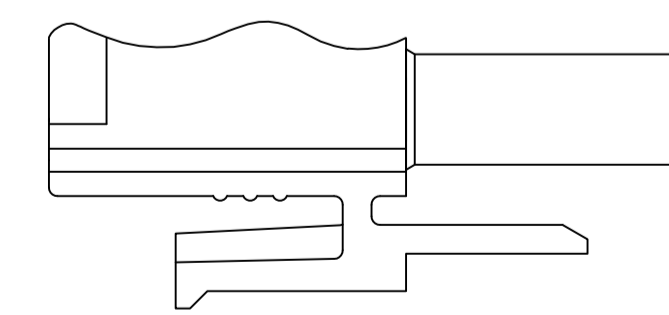
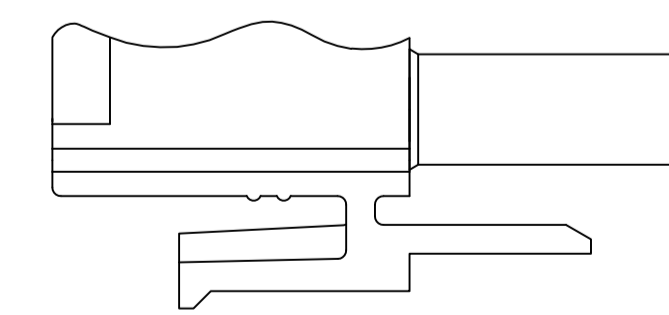
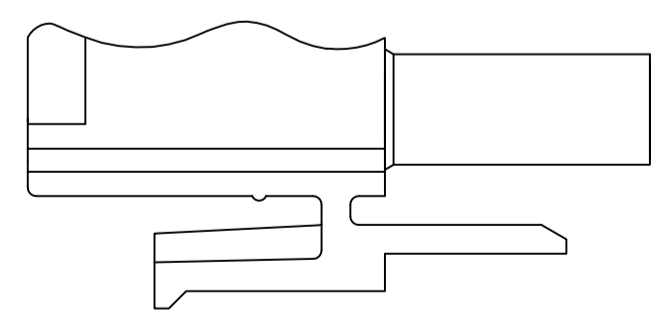
VIEW A-A
350766-4 ONLY



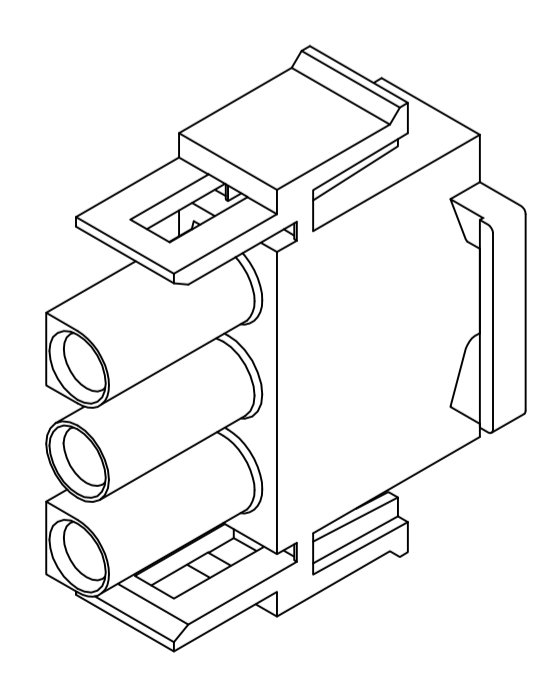
DETAIL A
OPTIONAL CONSTRUCTION



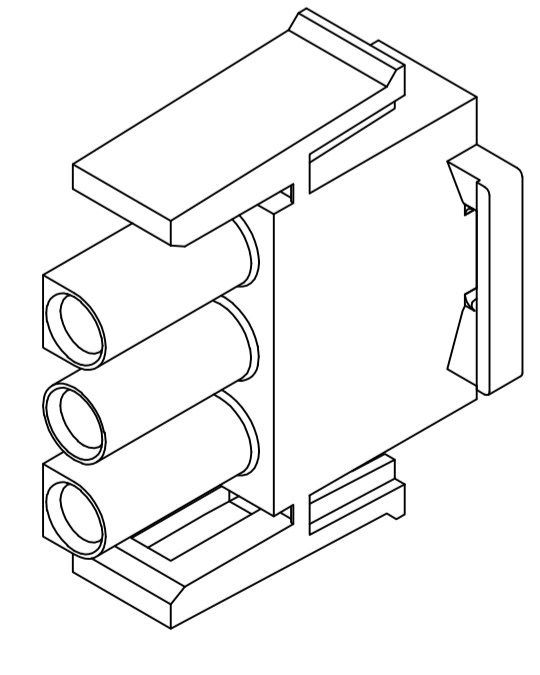
DETAIL B
350766-4 ONLY



DETAIL C
OPTIONAL CONSTRUCTIONS WITH MOLD PULL RIBS



350766-4 3-DIMENSIONAL MODEL
NTS



3-DIMENSIONAL MODEL
NTS

BLACK	1-350766-9
GRAY	1-350766-8
BLUE	1-350766-6
GREEN	1-350766-5
YELLOW	1-350766-4
ORANGE	1-350766-3
RED	1-350766-2
BROWN	1-350766-1
△5	350766-4
△5	350766-2
NATURAL	350766-1
COLOR	PART NUMBER

MM	IN
27.43	1.080
20.32	.800
14.73	.580
11.68	.460
7.62	.300
0.38	.015
0.13	.005
MM	IN

CONVERSION TABLE

THIS DRAWING IS A CONTROLLED DOCUMENT.

DIMENSIONS:	TOLERANCES UNLESS OTHERWISE SPECIFIED:	DWN	K. WHITAKER	07OCT05	
mm	0. PLC ± -	CHK	S. RIDGILL	07OCT05	
	1. PLC ± -	APVD	S. RIDGILL	07OCT05	
	2. PLC ± 0.13 [.005]	NAME	PLUG, 3 CIRCUIT, UNIVERSAL MATE-N-LOK(TM)		
	3. PLC ± -	PRODUCT SPEC	-		
	4. PLC ± -	APPLICATION SPEC	-		
	ANGLES ± 0°30'	SIZE	A1	00779	
MATERIAL	NYLON, UL 94V-0	FINISH	-	WEIGHT	0.000000
CUSTOMER DRAWING		SCALE	4:1	SHEET	1 of 1
REV		Y5	RESTRICTED TO		

STE TE Connectivity