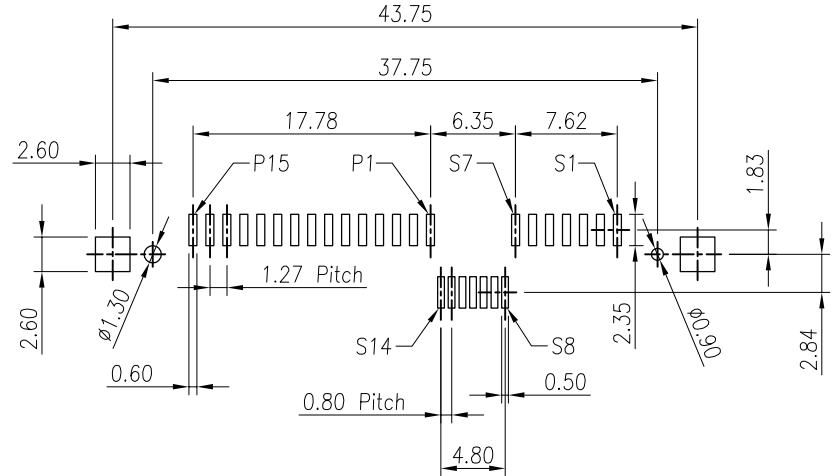
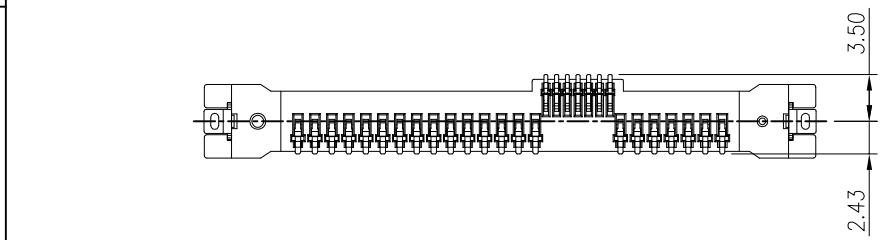
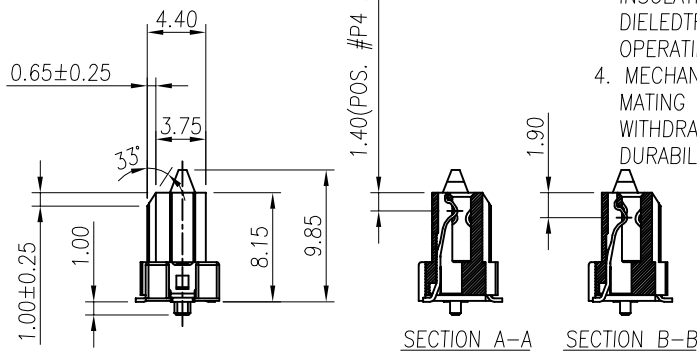
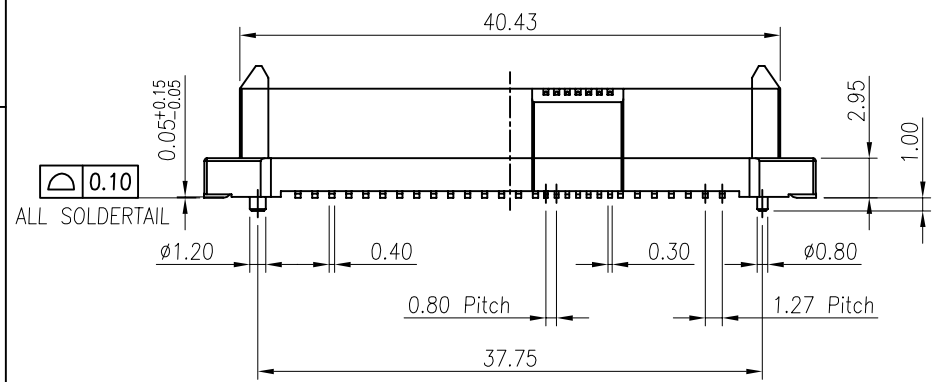


- NOTE:
- MATERIAL :  
HOUSING: HIGH TEMPERATURE, THERMOPLASTIC, UL94 V-0, COLOR: BLACK.  
TERMINAL(max): COPPER ALLOY  
TERMINAL(min): COPPER ALLOY  
FORKLOCK: COPPER ALLOY
  - FINISH :  
CONTACT: 15u" GOLD OVER 50u" MIN NICKEL UNDERPLATE  
SOLDERING TAIL: 100u" MIN TIN 50u" MIN NICKEL UNDERPLATE
  - ELECTRONICAL SPECIFICATION:  
CURRENT RATING: 1.5 AMPERE PER CONTACT  
CONTACT RESISTANCE: 30 MILLIOHMS MAX.  
INSULATION RESISTANCE: 1000 MEGOHMS MIN.  
DIELEDTRIC WITHSTANDING VOLTAGE: 500 VAC.  
OPERATING TEMPERATURE: -25°C~+85°C
  - MECHANICAL SPECIFICATION:  
MATING FORCE : 25N MAX.  
WITHDRAW FORCE : 5N MIN.  
DURABILITY : 500 CYCLES



RECOMMENDED PCB LAYOUT (Tolerance:±0.05)

REV	ECN NO.	NAME	DATE	TOLERANCE		UMax conn DONGGUAN UMAXCONN ENTERPRISE LIMITED	TITLE: SAS CONNECTOR, 29 PIN, RECEPTACLE, VERTICAL, SMT				
				LINEAR	ANGLES		PART NO.				
2	---	Lucy	Aug,3,2015	X.±0.30	X'±	APPD: Jason	MAT'L:	PART NO.	91903-291511		
1	---	Lucy	Jul,21,2015	.X±0.20	.X'±	CHKD: Schumi	FINISH:	DWG NO.	91903170307		
0	---	Lucy	Aug,15,2014	.XX±0.15	.XX'±	DRWN: Lucy	Q'TY:	UNITS	SCALE	SHEET	REV
				.XXX±	.XXX'±			MM	1 : 1	1 OF 1	2