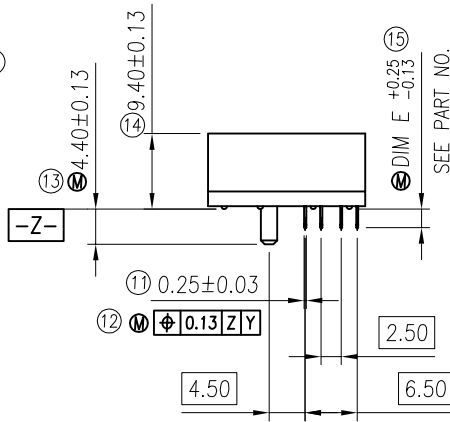
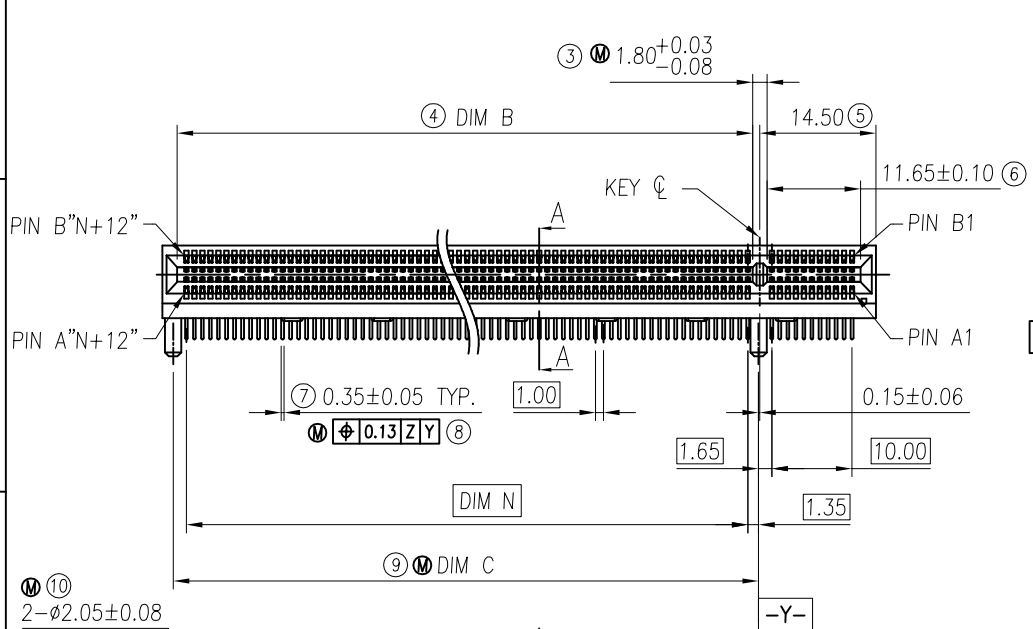
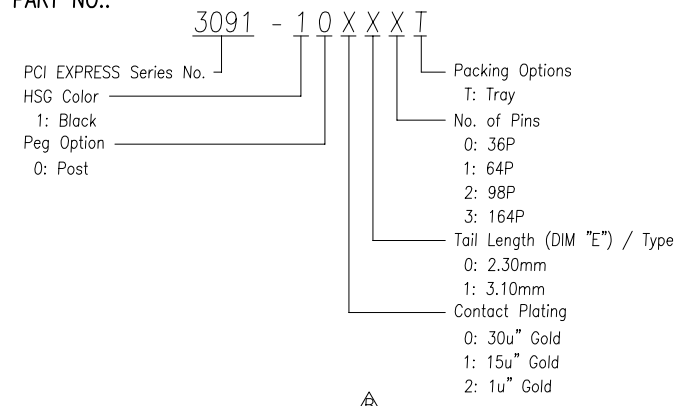


A-A
SCALE 2:1

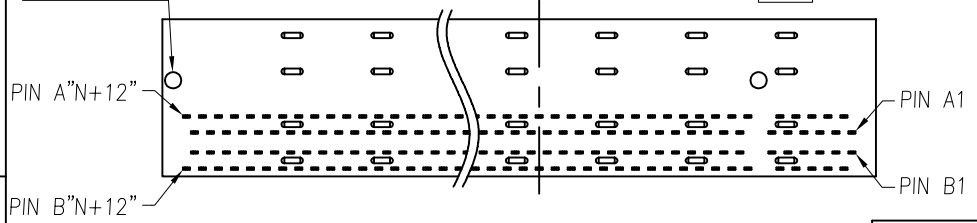
NOTES:

- MATERIAL:
 - 1.1 INSULATION: PA9T (KUARYRY GN2330) WITH 30% GF, UL94V-0, COLOR: SEE PART No..
 - TINE PLATE: LCP (ZENITE 5145L OR E471i) WITH 30% GF, UL94V-0, COLOR: SEE PART No..
 - 1.2 CONTACTS: PHOSPHOR BRONZE, C5191R-H, T=0.25mm
- FINISH:
 - 2.1 CONTACT: SELECTIVE GOLD PLATING ON CONTACT AREA, 100u" MIN. MATTE TIN PLATING ON SOLDER TAILS, 50u" MIN. NICKEL UNDERPLATING OVERALL.
- "M" IS MAJOR DIMENSION FOR QC.
- "X" SHOWS FAI MEASUREMENT POINT.
- PRODUCT SPEC: PS-3GI0-01
- PACKAGING SPEC: 309104001

PART NO.:



DIMENSIONS				
POSITION	N	B ±0.15	C ±0.15	D ±0.23
36	6	7.65	9.15	25.00
64	20	21.65	23.15	39.00
98	37	38.65	40.15	56.00
164	70	71.65	73.15	89.00



REV	ECN NO.	NAME	DATE	TOLERANCE	
				LINEAR	ANGLES
B	14026	Terry	Nov,13,2014	.X±0.25	.X'±
A	12035	Terry	Jul,05,2012	.XX±0.15	.XX'±
				.XXX±0.10	.XXX'±

UMax conn 东莞市友贸实业有限公司
DONGGUAN UMAXCONN ENTERPRISE LIMITED

APPD: Jason MAT'L:
CHKD: Schumi FINISH:
DRWN: Terry Q'TY:

TITLE: PCI EXPRESS CARD EDGE, 1.0mm PITCH, R/A TYPE			
PART NO. 3091-10XXXXT		DWG NO. 309105001	
UNITS	SCALE	SHEET	REV
MM	1 : 1	1 OF 1	B