



给您一颗快乐的“芯”！

YSX2012SK



Features

- External dimensions: 2.00 x 1.20 x 0.60 mm.
- Standard Frequency: 32.768KHz.
- Applications in mobile phone, Notebook and DSC.

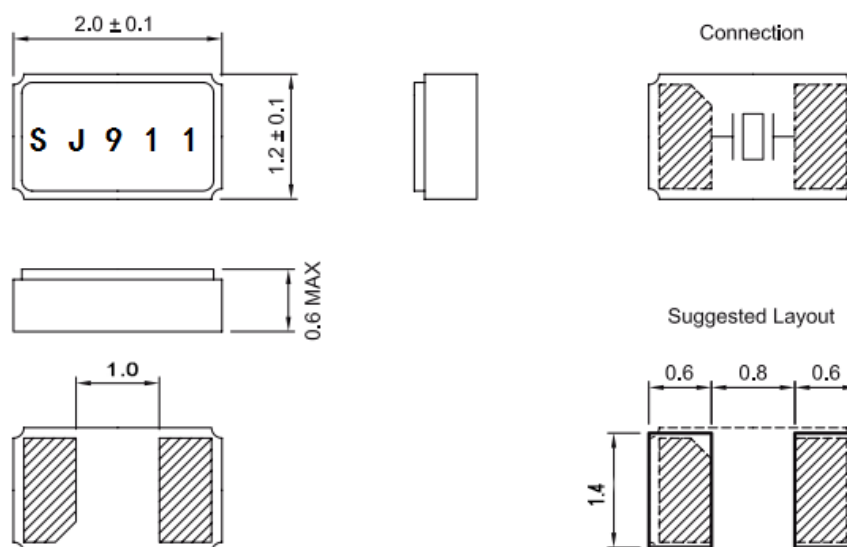
Electrical Specifications

Item / Type	YSX2012SK
Standard Frequency	32.768KHz
Tolerance(at 25 °C)	± 20 ppm , or specify
Load Capacitance (CL)	12.5 pF, or specify
Parabolic Coefficient (B)	$(- 0.03 \pm 0.01) * 10^{-6} / ^2$
Turnover Temperature (Ti)	25 ± 5
Operation Temperature Range	-40~+85
Shunt Capacitance (C0)	1.3pF typical
Motional Capacitance (C1)	7.0fF typical
Level Of Drive	0.1 μW
Frequency Aging (at 25 °C)	± 3 ppm / year Max.
Storage Temperature	-55 ~ +125 °C

Equivalent Series Resistance(ESR)

YSX2012SK
90KΩMax.

Dimensions



Units: mm



给您一颗快乐的“芯”！

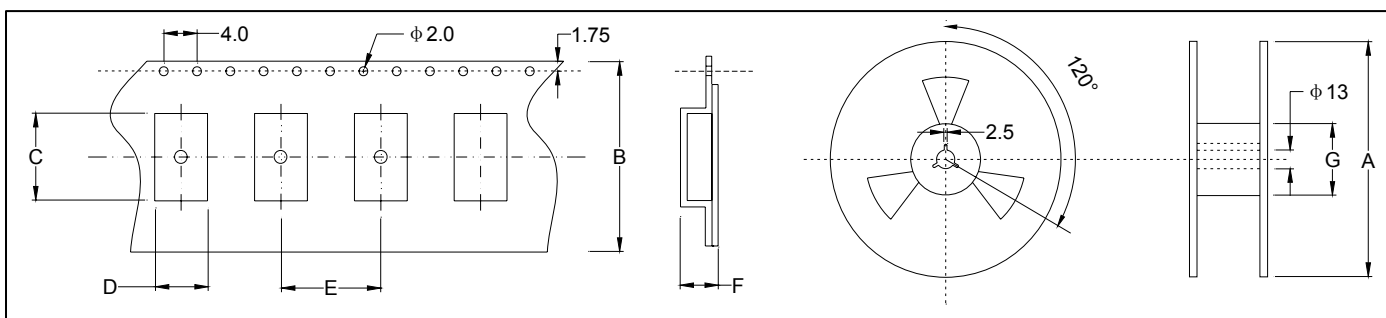
YSX2012SK



★ PART NUMBER GUIDE 部件号示例 e.g. X201232768KGB2SI YSX2012SK=2.00×1.20 SMD SEAM TYPE

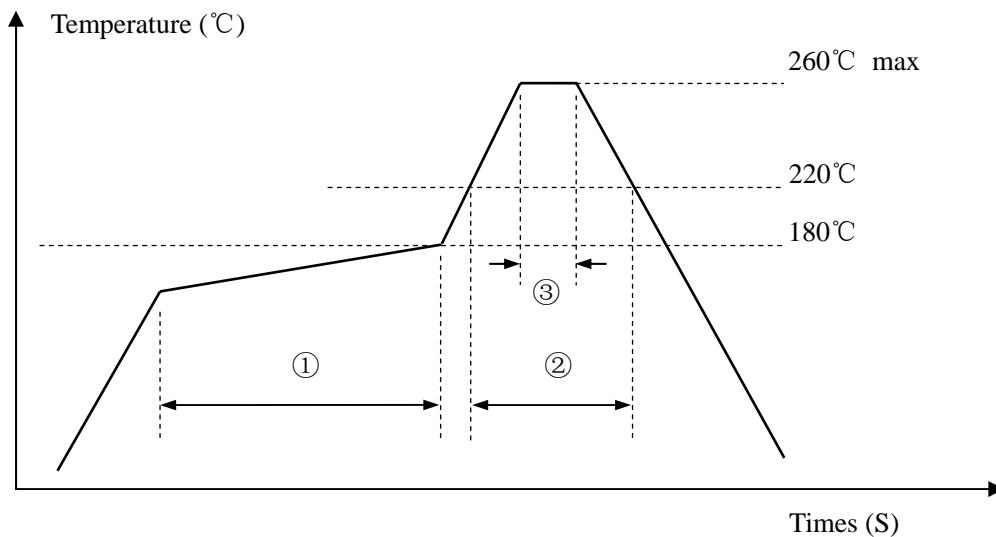
Quartz Crystal Resonator	Dimensions	Frequency (Hz)	Load Capacitance (Pf)	Frequency Stability Overall (ppm)	Pin	Material	Operating Temp. Range
X	2012	32.768K	G	B	2	S	I

★ TAPING SPECIFICATION (Unit: mm) 编带规格



	A	B	C	D	E	F	G
SMD2012	178.0	8.0 ± 0.2	2.30 ± 0.01	1.90 ± 0.01	4.0 ± 0.1	0.90 ± 0.01	60.0 ± 1.0
5000 pcs per reel							

★ REFLOW SOLDERING PROFILE 回流焊特性



Pb free reflow A	①	Preheat	170~180°C	120sec. max
	②	Primary heat	220°C	60sec. max
	③	Peak	260°C	10sec. max.