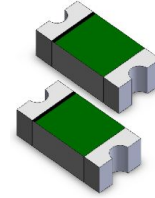
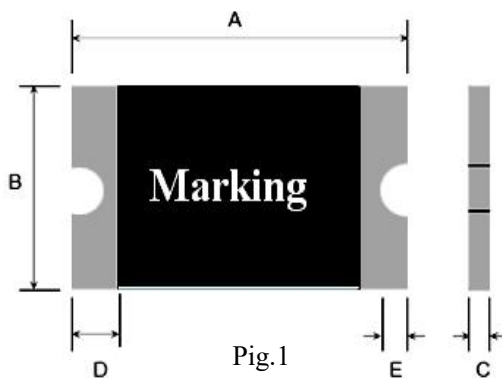


**Features:**

- ✧ RoHS Compliant & Halogen Free
- ✧ faster tripping, 2920 Dimension, Surface mountable, Solid state
- ✧ Operation Current: 0.30A~3.00A
- ✧ Maximum Voltage: 6V~60Vdc
- ✧ Operating Temperature: -40°C TO 85°C


**Product Dimensions**


Terminal pad materials :Tin-Plated Nickle-copper  
 Terminal pad solderability : Meets EIA specification  
 RS 186-9E and ANSI/J-STD-002 Category 3.

Unit : mm

Model	Marking	A		B		C		D	E
		Min	Max	Min	Max	Min	Max	Min	Min
SMD2920P030TF	Y030	6.73	7.98	4.80	5.44	0.60	1.15	0.30	0.15
SMD2920P050TF	Y050	6.73	7.98	4.80	5.44	0.60	1.15	0.30	0.15
SMD2920P075TF/60	Y075	6.73	7.98	4.80	5.44	0.60	1.15	0.30	0.15
SMD2920P100TF	Y100	6.73	7.98	4.80	5.44	0.60	1.00	0.30	0.15
SMD2920P125TF	Y125	6.73	7.98	4.80	5.44	0.60	1.00	0.30	0.15
SMD2920P150TF	Y150	6.73	7.98	4.80	5.44	0.60	1.20	0.30	0.15
SMD2920P185TF	Y185	6.73	7.98	4.80	5.44	0.60	1.20	0.30	0.15
SMD2920P200TF	Y200	6.73	7.98	4.80	5.44	0.40	0.80	0.30	0.15
SMD2920P200TF/24	Y200	6.73	7.98	4.80	5.44	0.60	1.00	0.30	0.15
SMD2920P250TF	Y250	6.73	7.98	4.80	5.44	0.40	0.80	0.30	0.15
SMD2920P260TF/24	Y260	6.73	7.98	4.80	5.44	0.40	0.80	0.30	0.15
SMD2920P300TF	Y300	6.73	7.98	4.80	5.44	0.40	0.80	0.30	0.15
SMD2920P300TF/15	Y300	6.73	7.98	4.80	5.44	0.60	1.20	0.30	0.15

**Thermal Derating Chart-IH (A)**

Model	Maximum ambient operating temperatures (°C)								
	-40	-20	0	25	40	50	60	70	85
SMD2920P030TF	0.44	0.37	0.35	0.30	0.28	0.23	0.20	0.18	0.14
SMD2920P050TF	0.73	0.62	0.59	0.50	0.47	0.38	0.34	0.30	0.24
SMD2920P075TF/60	1.09	0.92	0.88	0.75	0.70	0.56	0.50	0.45	0.36
SMD2920P100TF	1.45	1.23	1.17	1.10	0.93	0.75	0.67	0.60	0.48
SMD2920P125TF	1.81	1.54	1.46	1.25	1.16	0.94	0.84	0.75	0.60
SMD2920P150TF	2.18	1.85	1.76	1.50	1.40	1.13	1.01	0.90	0.72
SMD2920P185TF	2.68	2.28	2.16	1.85	1.72	1.39	1.24	1.11	0.89
SMD2920P200TF	2.90	2.46	2.34	2.00	1.86	1.50	1.34	1.20	0.96
SMD2920P200TF/24	2.90	2.46	2.34	2.00	1.86	1.50	1.34	1.20	0.96
SMD2920P250TF	3.63	3.08	2.93	2.50	2.33	1.88	1.68	1.50	1.20
SMD2920P260TF/24	3.77	3.20	3.04	2.60	2.42	1.95	1.74	1.56	1.25
SMD2920P300TF	4.35	3.69	3.51	3.00	2.79	2.25	2.01	1.80	1.44
SMD2920P300TF/15	4.35	3.69	3.51	3.00	2.79	2.25	2.01	1.80	1.44

**Electrical Characteristic**

Model	V <sub>max</sub>	I <sub>max</sub>	I <sub>hold</sub>	I <sub>trip</sub>	P <sub>d</sub>	Maximum time to trip		Resistance	
	(Vdc)	(A)	(A)	(A)	Max. (W)	Current	Time	R <sub>i_min</sub>	R <sub>l_max</sub>
						(A)	(Sec)	(Ω)	(Ω)
SMD2920P030TF	60	100	0.30	0.60	1.5	1.5	3.0	0.60	4.80
SMD2920P050TF	60	100	0.50	1.00	1.5	2.5	4.0	0.18	1.40
SMD2920P075TF/60	60	100	0.75	1.50	1.5	8.0	0.3	0.30	1.00
SMD2920P100TF	33	100	1.10	2.20	1.5	8.0	0.5	0.065	0.41
SMD2920P125TF	15	100	1.25	2.50	1.5	8.0	2.0	0.05	0.25
SMD2920P150TF	33	100	1.50	3.00	1.5	8.0	2.0	0.035	0.23
SMD2920P185TF	33	100	1.85	3.70	1.5	8.0	2.5	0.030	0.15
SMD2920P200TF	16	100	2.00	4.00	1.5	8.0	4.5	0.020	0.12
SMD2920P200TF/24	24	100	2.00	4.00	1.5	8.0	4.5	0.020	0.12
SMD2920P250TF	16	100	2.50	5.00	1.5	8.0	16.0	0.020	0.085
SMD2920P260TF/24	24	100	2.60	5.20	1.5	8.0	5.0	0.025	0.075
SMD2920P300TF	6	100	3.00	6.00	1.5	8.0	20.0	0.012	0.048
SMD2920P300TF/15	15	100	3.00	6.00	1.5	8.0	20.0	0.015	0.048

**Test Procedures And Requirements**

Test	Test Conditions	Accept/Reject Criteria
Resistance	In still air @ 25°C	$R_{min} \leq R \leq R_{max}$
Time to Trip	Specified current, $V_{max}$ , 25°C	Tmaximum Time to Trip
Hold Current	30min, at $I_H$	No trip
Trip Cycle Life	$V_{max}$ , $I_{max}$ , 100cycles	No arcing or burning
Trip Endurance	$V_{max}$ , 1 hours	No arcing or burning

**Physical Characteristics and Environmental Specifications**
**Physical Characteristics**

Terminal materials :	Tin-Plated Nickle-copper
Soldering zone	Meets EIA specification RS 186-9E and ANSI/J-STD-002 Category 3.

**Environmental Specifications**

Test	Conditions	Resistance Change
Passive aging	85°C,1000hours	±10%
Humidity aging	85°C/85%RH.1000 hours	±5%
Thermal shock	MIL-STD-202,Method 107G+85°C/-40°C,20times	-30% typical resistance change
Solvent Resistance	MIL-STD-202,Method 215	no change
Vibration	ML-STD-883C,Test Condition A	No chage

**Electrical Specifications:**

$I_{hold}$  = Hold Current. Maximum current device will not trip in 25°C still air.

$I_{trip}$  = Trip Current. Minimum current at which the device will always trip in 25°C still air.

$V_{max}$  = Maximum operating voltage device can withstand without damage at rated current ( $I_{max}$ ).

$I_{max}$  = Maximum fault current device can withstand without damage at rated voltage ( $V_{max}$ ).

$P_d$  = Maximum power dissipation when device is in the tripped state in 25°C still air environment at rated voltage.

$R_{i_{min/max}}$  = Minimum/Maximum device resistance prior to tripping at 25°C.

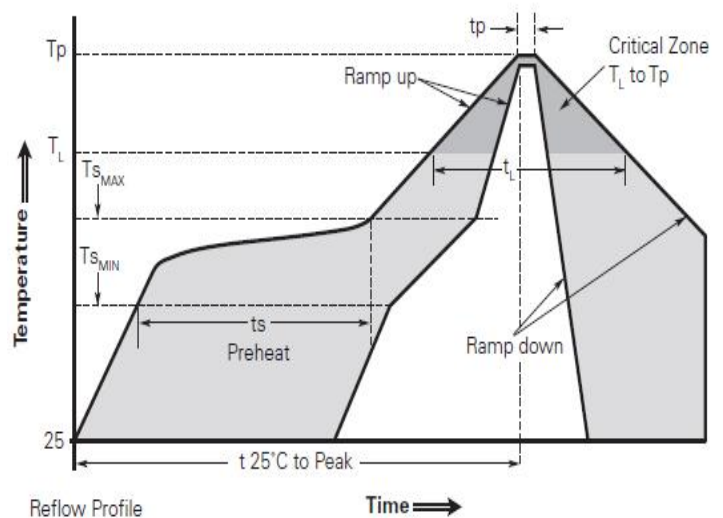
$R_{l_{max}}$  = Maximum device resistance is measured one hour post reflow.

**Recommended pad layout (mm)**

**Solder reflow conditions**

Profile Feature	Pb-Free Assembly
Average ramp up rate ( $T_{s_{MAX}}$ to $T_p$ )	3°C/second max.
<b>Preheat</b>	
• Temperature min. ( $T_{s_{MIN}}$ )	150°C
• Temperature max. ( $T_{s_{MAX}}$ )	200°C
• Time ( $t_{s_{MIN}}$ to $t_{s_{MAX}}$ )	60-120 seconds
<b>Time maintained above:</b>	
• Temperature ( $T_L$ )	217°C
• Time ( $t_L$ )	60-150 seconds
<b>Peak/Classification temperature (<math>T_p</math>)</b>	260°C
<b>Time within 5°C of actual peak temperature</b>	
Time ( $t_p$ )	30 seconds max.
<b>Ramp down rate</b>	3°C/second max.
<b>Time 25°C to peak temperature</b>	8 minutes max.

**Note:** All temperatures refer to topside of the package, measured on the package body surface.



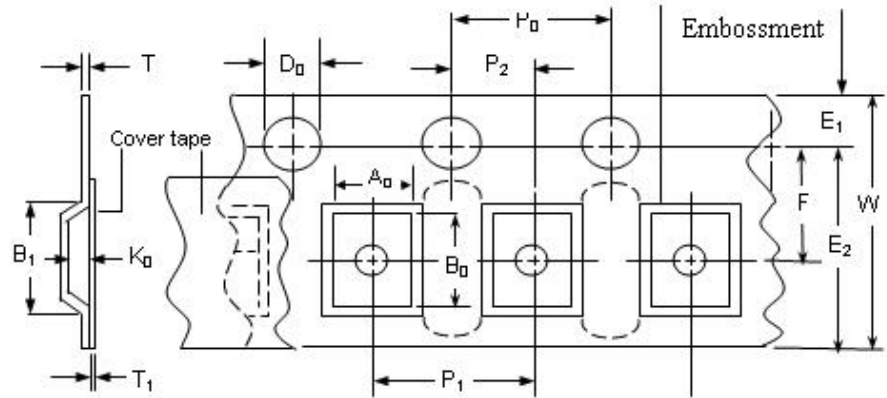
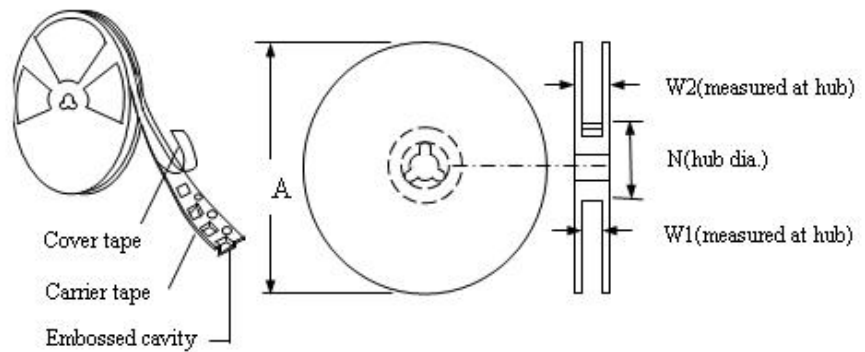
- Recommended reflow methods: IR, vapor phase oven, hot air oven, N2 environment for lead-free.
- Devices are not designed to be wave soldered to the bottom side of the board.
- Recommended maximum paste thickness is 0.25mm (0.010inch).
- Devices can be cleaned using standard industry methods and solvents.

- Soldering temperature profile meets RoHs leadfree process.

Notes: If reflow temperatures exceed the recommended profile, devices may not meet the performance requirements

**Tape Specification And Reel Dimensions**

Covering Specifications EIA 481-1(Unit:mm)	
W	16± 0.3
P <sub>0</sub>	4.0 ± 0.10
P <sub>1</sub>	8.0 ± 0.10
P <sub>2</sub>	2.0 ± 0.10
A <sub>0</sub>	5.74 ± 0.10
B <sub>0</sub>	8.02 ± 0.10
D <sub>0</sub>	1.55 ± 0.05
F	7.5± 0.10
E <sub>1</sub>	1.75 ± 0.10
T	0.20± 0.10
Leader min.	390
Trailer min.	160
Reel Dimensions	
A	178± 1
N	58± 1
W <sub>1</sub>	16.9± 0.80
W <sub>2</sub>	19.3± 0.1

**EIA Tape Component Dimintions**

**EIA Reel Dimintions**

**Packaging Quantity**

Model	Quantity	Model	Quantity
SMD2920P030TF	1500	SMD2920P200TF	1500
SMD2920P050TF	1500	SMD2920P200TF/24	1500
SMD2920P075TF/60	1500	SMD2920P250TF	1500
SMD2920P100TF	1500	SMD2920P260TF/24	1500
SMD2920P125TF	1500	SMD2920P300TF	1500
SMD2920P150TF	1500	SMD2920P300TF/15	1500
SMD2920P185TF	1500		

### Storage

The maximum ambient temperature shall not exceed 38°C. Storage temperatures higher than 38°C could result in the deformation of packaging materials. The maximum relative humidity recommended for storage is 60%. High humidity with high temperature can accelerate the oxidation of the solder plating on the termination and reduce the solderability of the components. Sealed plastic bags with desiccant shall be used to reduce the oxidation of the termination and shall only be opened prior to use. The products shall not be stored in areas where harmful gases containing sulfur or chlorine are present

### WARNING

- Use PPTC beyond the maximum ratings or improper use may result in device damage and possible electrical arcing and flame.
- PPTC are intended for protection against occasional over current or over temperature fault conditions and should not be used when repeated fault conditions or prolonged trip events are anticipated.
- Device performance can be impacted negatively if devices are handled in a manner inconsistent with recommended electronic, thermal, and mechanical procedures for electronic components.
- Use PPTC with a large inductance in circuit will generate a circuit voltage ( $L di/dt$ ) above the rated voltage of the PPTC.
- Avoid impact PPTC device its thermal expansion like placed under pressure or installed in limited space.
- Contamination of the PPTC material with certain silicon based oils or some aggressive solvents can adversely impact the performance of the devices. PPTC SMD can be cleaned by standard methods.
- Requests that customers comply with our recommended solder pad layouts and recommended reflow profile. Improper board layouts or reflow profile could negatively impact solderability performance of our devices.