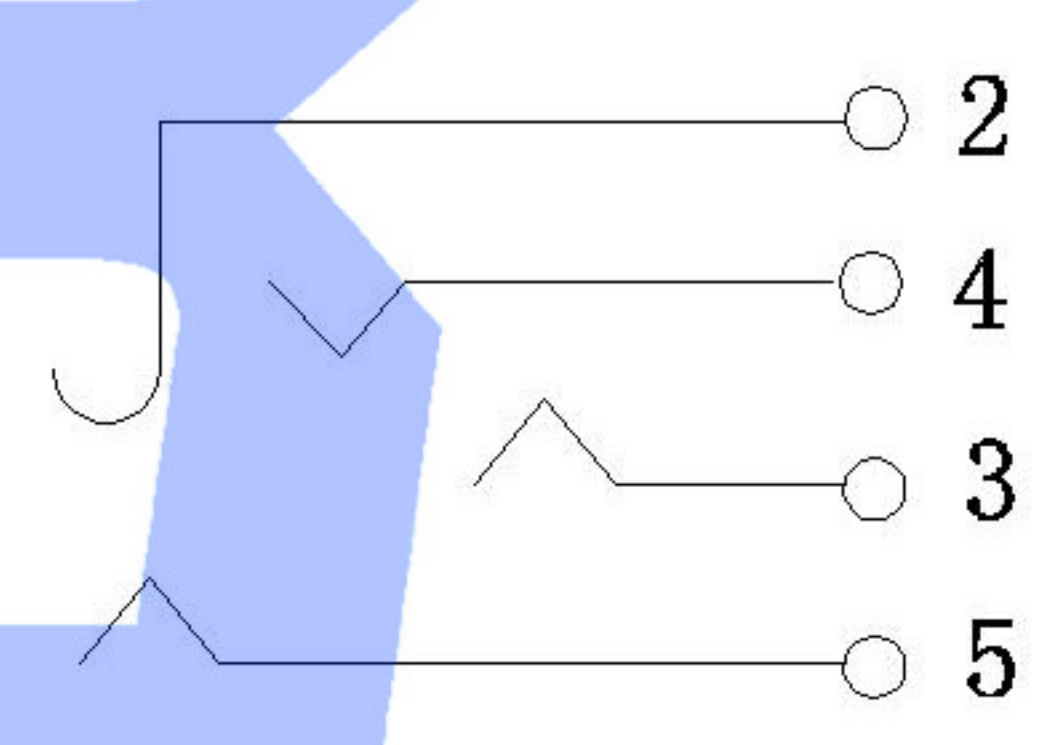
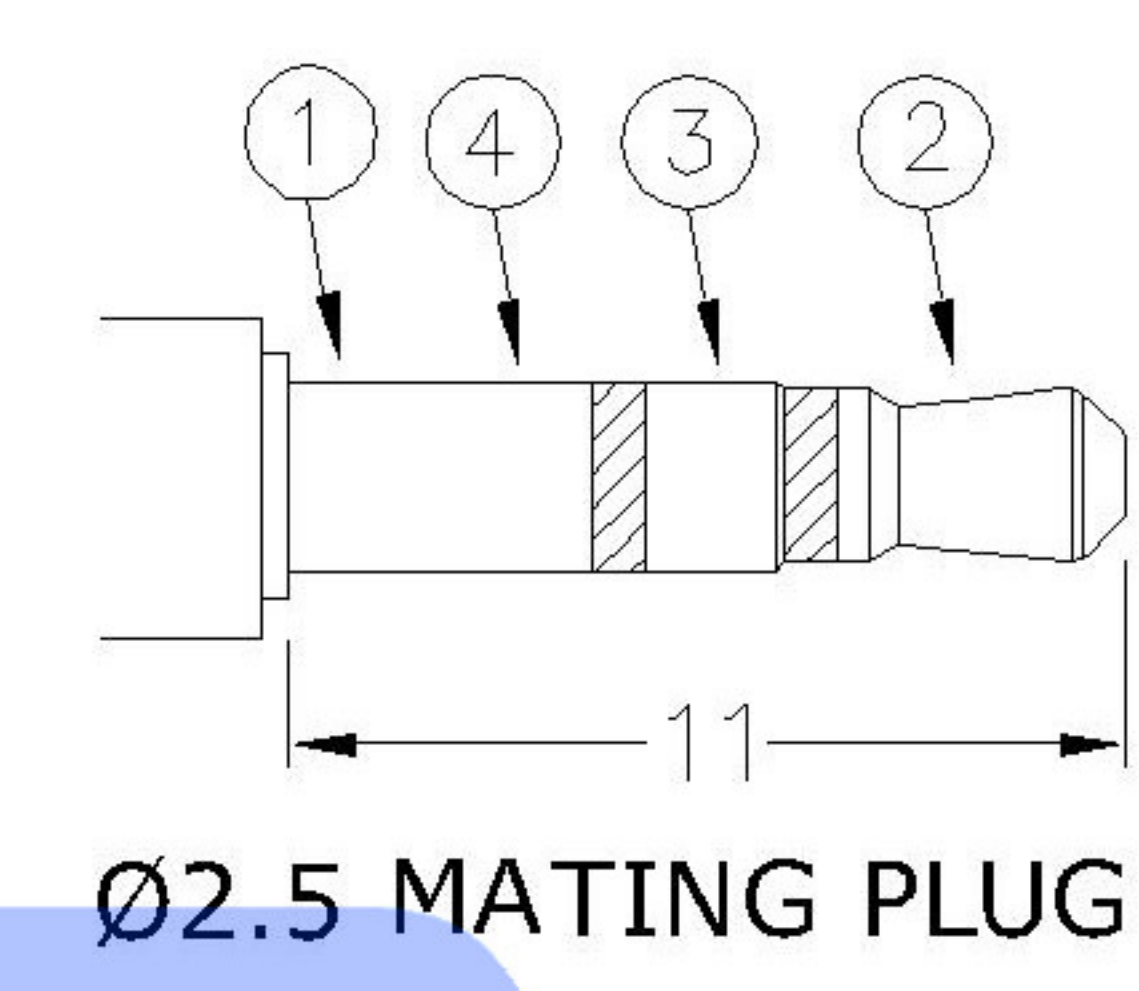


SWITCH CONNECTOR



	MATERIAL	PLATING
terminal 1	copper all oy	silver
terminal 2	copper all oy	silver
terminal 3	copper all oy	silver
terminal 4	copper all oy	silver
plastic	PA10T	

						ANGLAR	±5°	DSND		DATE		SCALE: N/A	MODEL TYPE: 2.5 PHONE JACK
△X						L ≤ 4	±0.2	DWN		DATE		VIEW:	PART NO.:
△X						4 < L ≤ 16	±0.3	CHKD		DATE		UNIT: mm	DWG NO.:
△X						16 < L ≤ 63	±0.4	APPD		DATE		SIZE: A4	PJ-2342-SMT
MARK	DESCRIPTION	DATE	REVISED	APPROVED		L > 63	±0.5	XKB INDUSTRIAL PRECISION CO., LIMITED			WEIGHT	SHEET	REVISION
						UNSPECIFIED TOLERANCES					1.0g	1/1	A0
www.xk-dg.cn www.helloxkb.com www.helloxkb.cn													