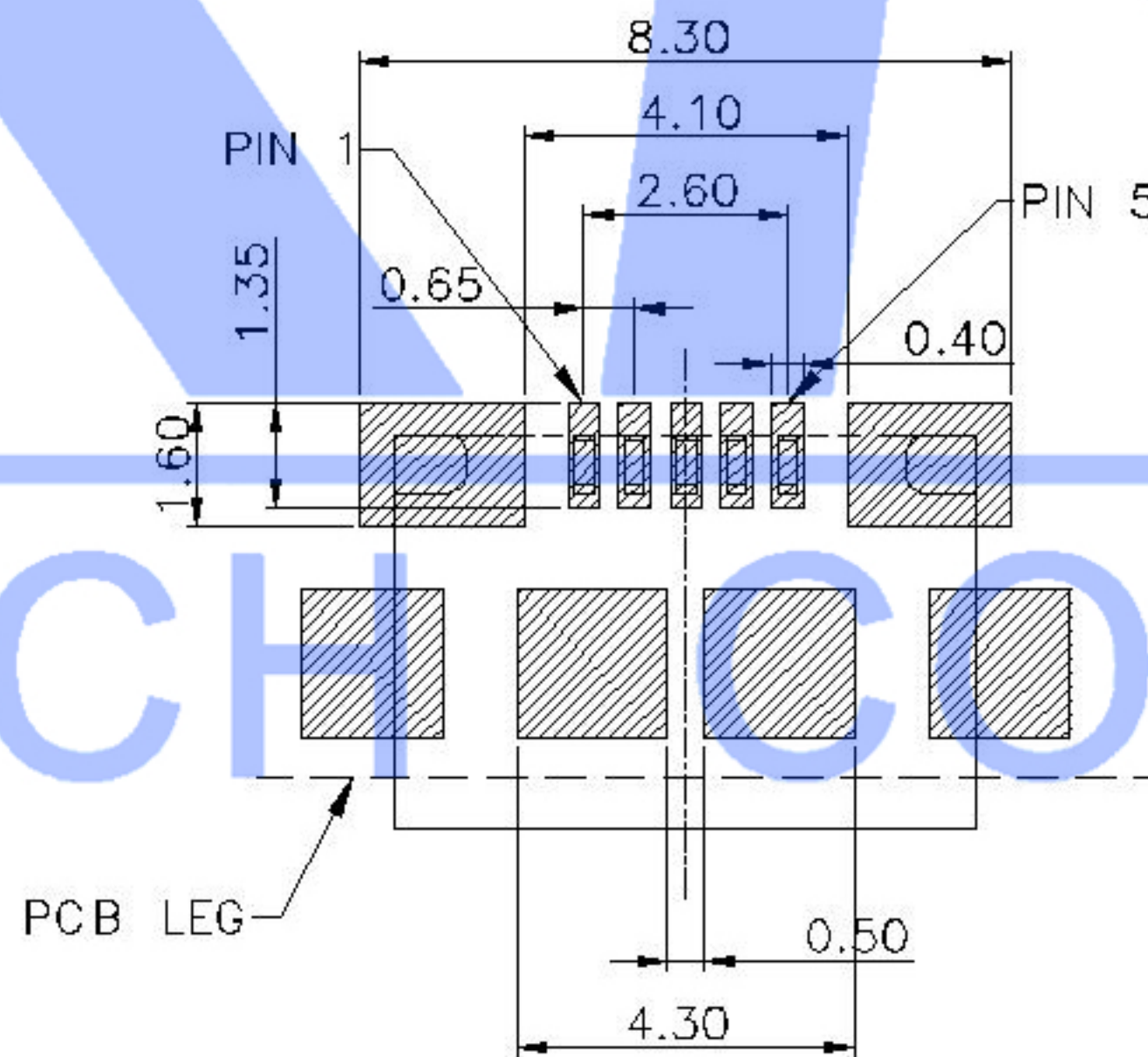
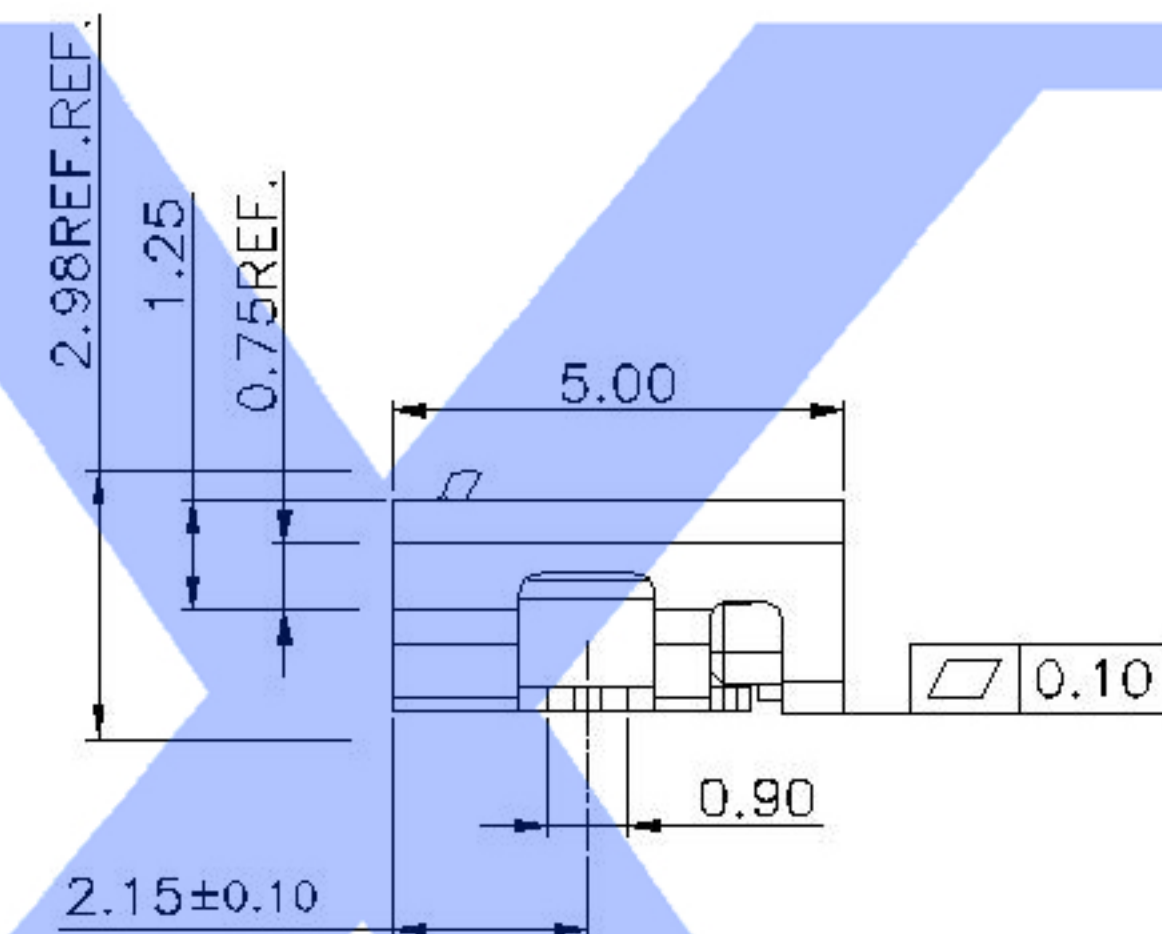
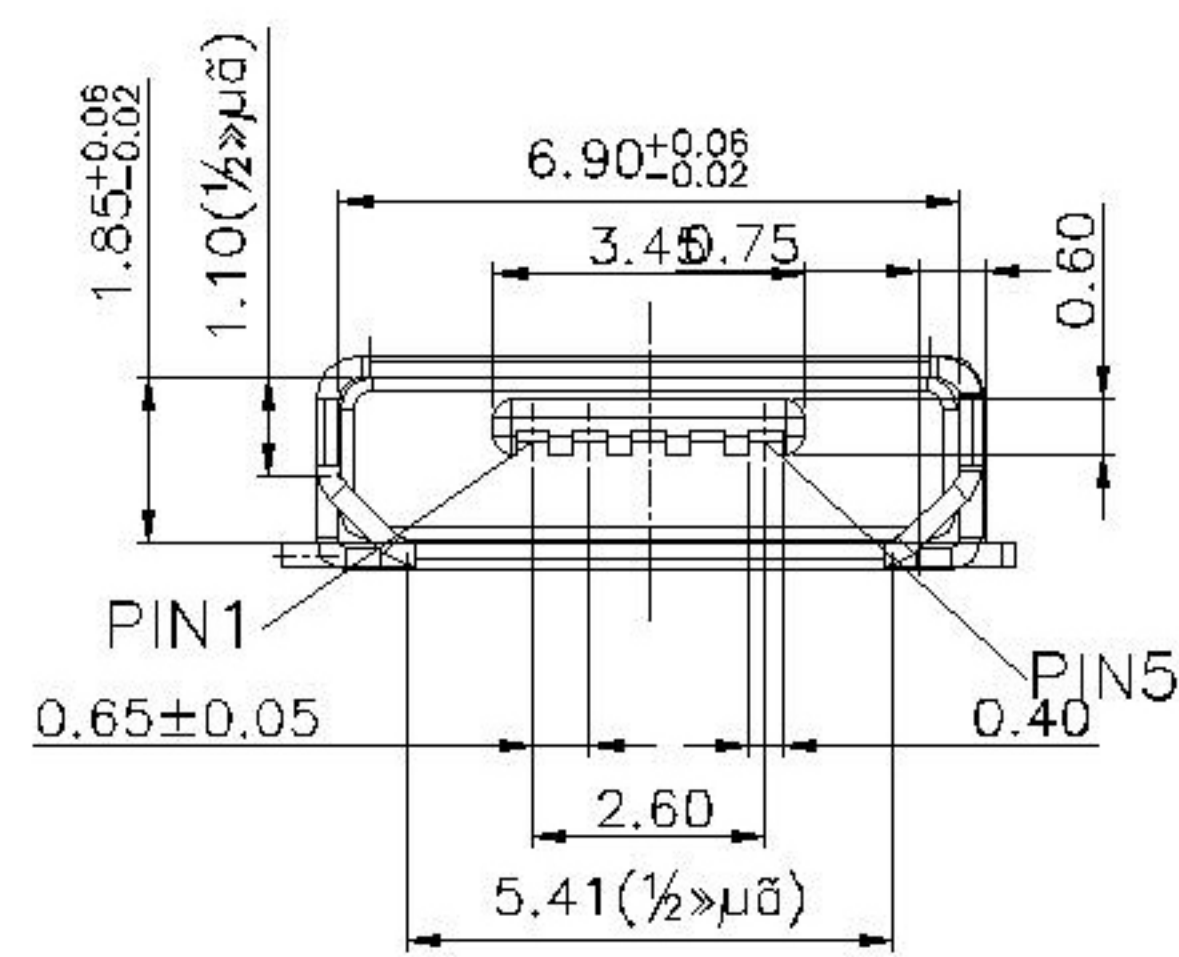


Scrolls (S)

Flat (F)



RECOMMENDED P.C.B. LAYOUT  
TOP VIEW (TOLRANCE: ±0.05)

NOTES:

1. ELECTRICAL:

- 1) VOLTAGE CURRENT RATING: 1.0AMP,30V AC;
- 2) INSULATION RESISTANCE: 100MΩ MIN;
- 3) CONTACT RESISTANCE: 50mΩ MAX;
- 4) WITHSTANDING VOLTAGE: 300V AC;
- 5) OPERATING TEMPERATURE:-55°C TO +85°C.

2. Mechanical:

- 1) Mating Force: 30N MAX
- 2) Unmating Force: 7N MIN.

3. DIMENSIONS MARKED "▼" TO BE CHECKED BY Q.C & IPQC.

4. PART NO.

U253-05XX-4BH89-X-X-X

1: Au 1U"  
6: Au 30U"  
T: TIN  
N: NICKEL

B: Brass S: Sus  
1: With 2: Without  
S: Scrolls F: Flat

1: PBT  
2: PA6T  
3: PA9T  
4: LCP

1: With 2: Without

SWITCH CONNECTOR

					ANGLAR	±5°	DSND		DATE		SCALE: N/A	MODEL TYPE:		
					L ≤ 4	±0.2	DWN		DATE		VIEW:	MICRO USB		
					4 < L ≤ 16	±0.3	CHKD		DATE		UNIT: mm	PART NO.:		
					16 < L ≤ 63	±0.4	APPD		DATE		SIZE: A4	U253-05XX-4BH89		
					L > 63	±0.5						DWG NO.:		
					UNSPECIFIED TOLERANCES							U253-05XX-4BH89-XXX		
												WEIGHT	SHEET	REVISION
												1.0g	1/1	A0
												XKB INDUSTRIAL PRECISION CO., LIMITED		
												www.xk-dg.cn www.helloxkb.com www.helloxkb.cn		