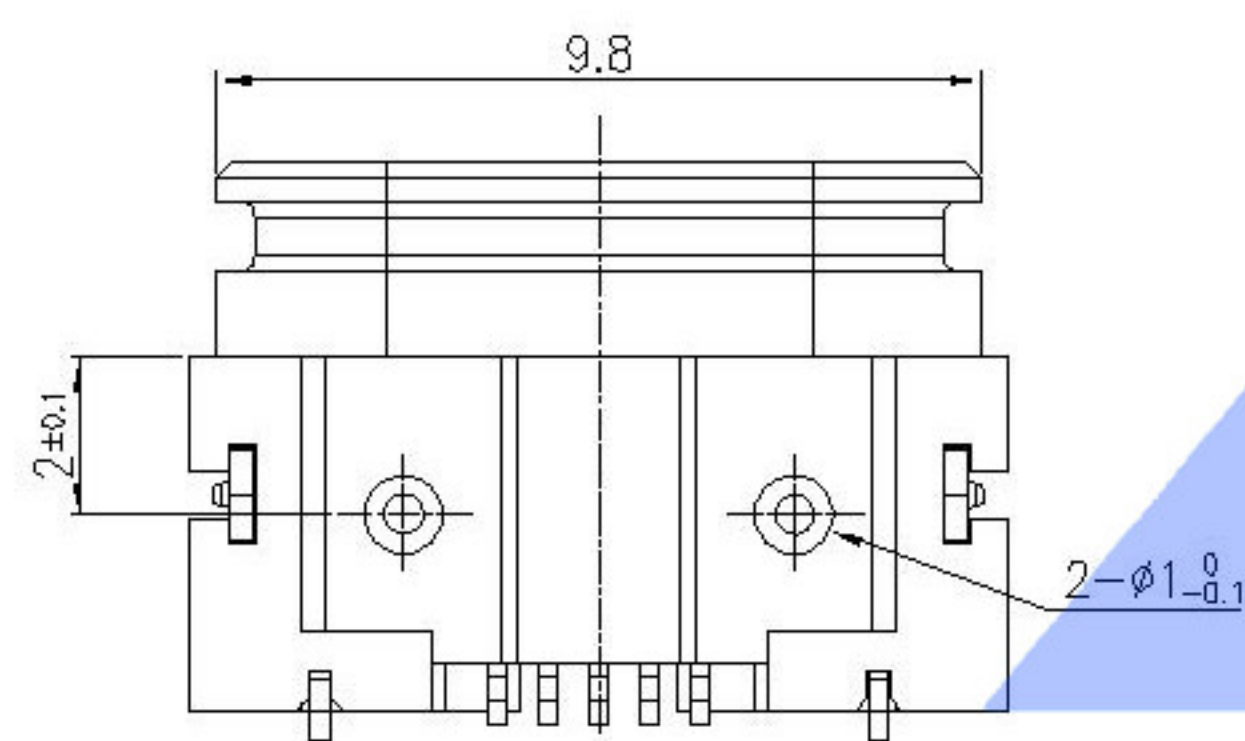
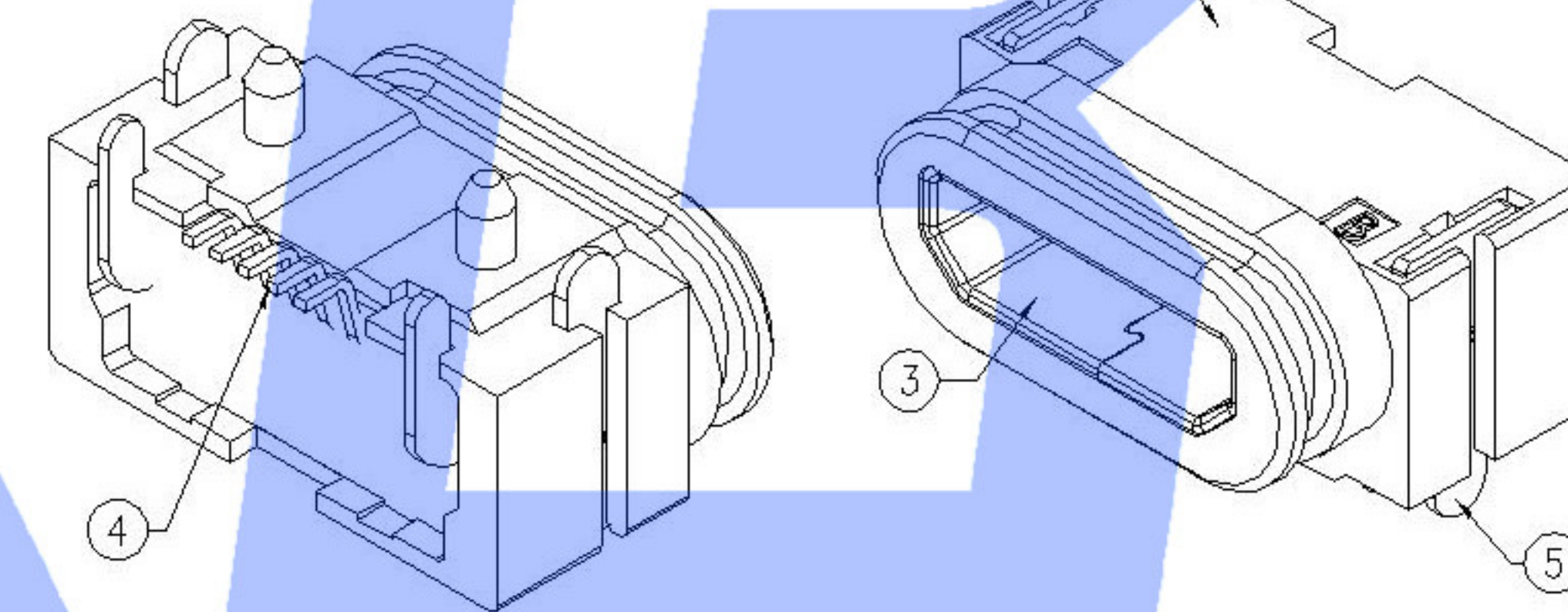
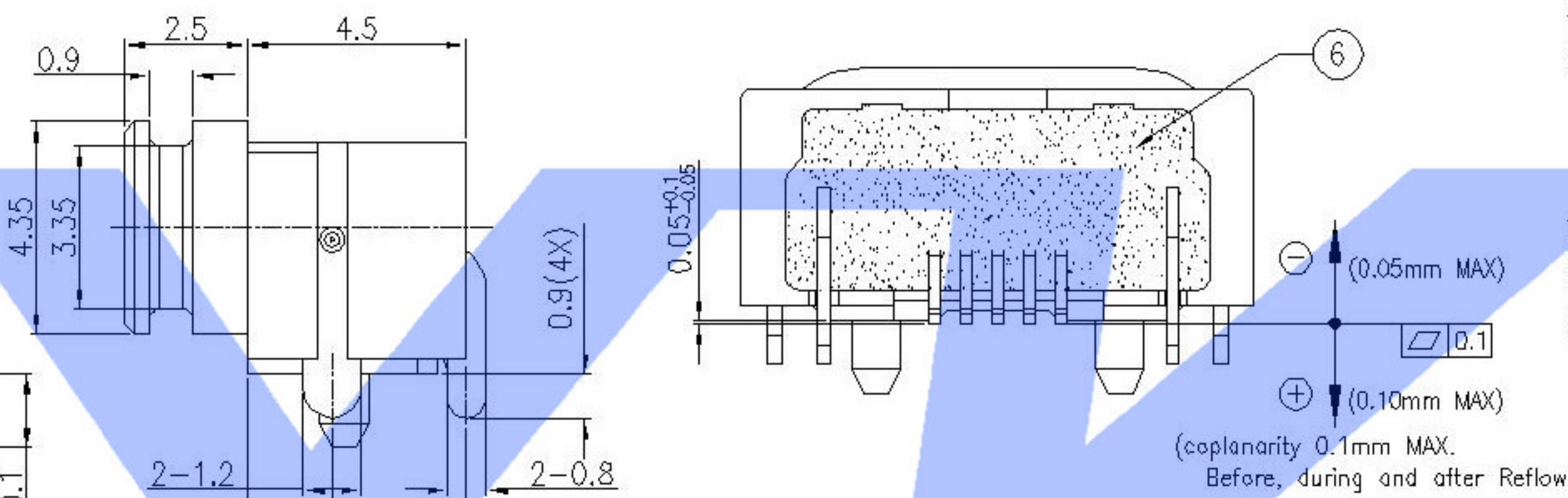
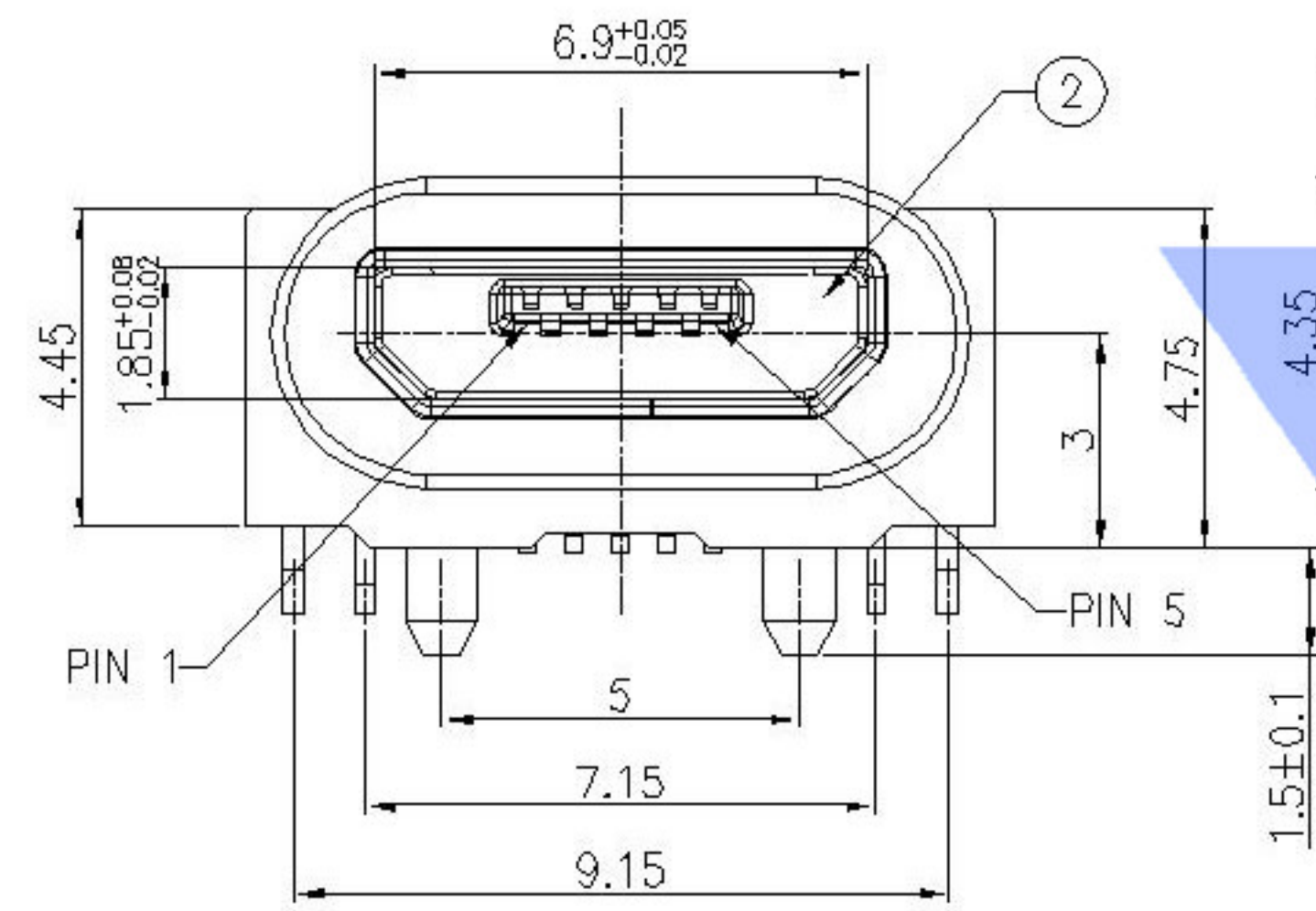
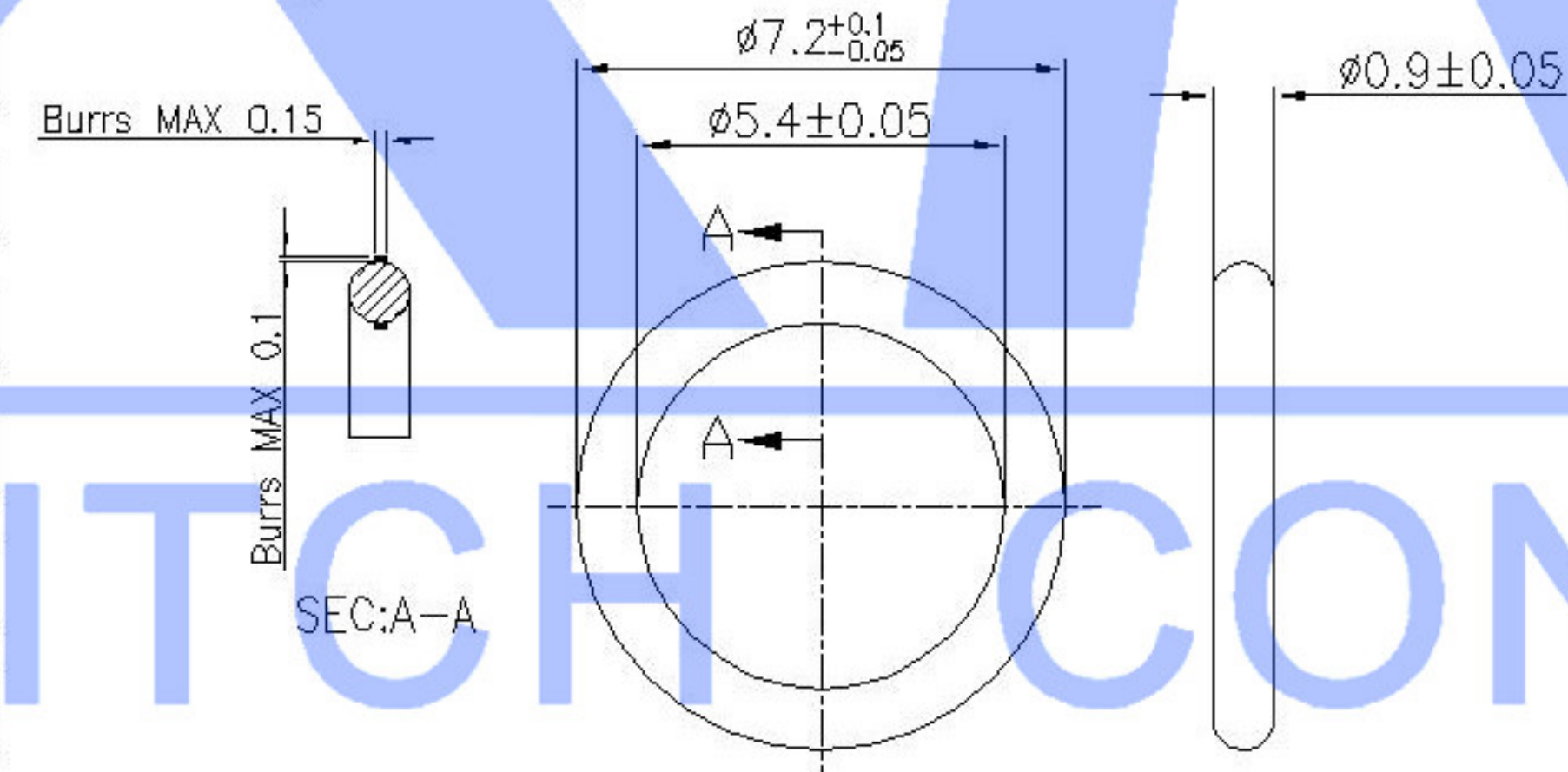


SPECIFICATIONS:

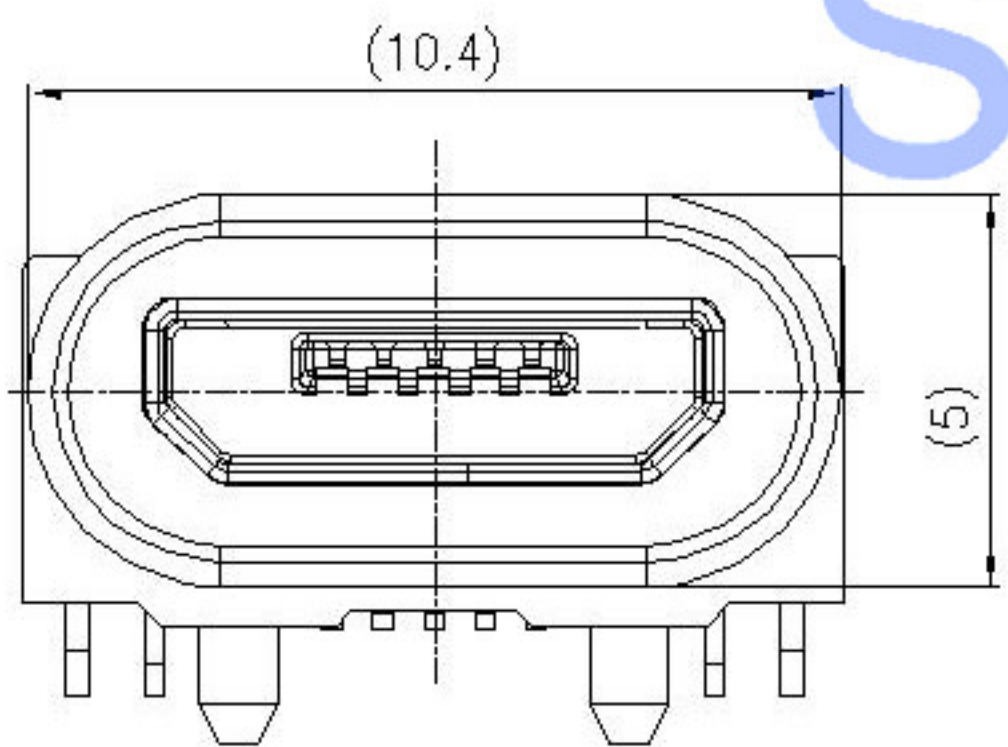
- ELECTRICAL CHARACTERISTICS:
 - RATING: 1.8A (PIN1/5), 0.5A (PIN2/3/4)
 - CONTACT RESISTANCE: 30mΩ MAX.(INITIAL)
 - DIELECTRIC WITHSTANDING VOLTAGE: 300V AC FOR ONE MINUTE.
 - INSULATION RESISTANCE: 100MΩ MIN. MEASURED BY 500 VDC
- MECHANICAL CHARACTERISTICS:
 - INSERTION FORCE : 3.6 KGF (MAX)
 - WITHDRAWAL FORCE : 0.8 KGF(Reference)
- DURABILITY: 10,000 CYCLES .
- WATER PROOFNESS:THIS PRODUCT IS BASED ON IPX7(1m,30min)
- PLUG INTERFACE DIMENSIONS COMFORM TO USB2.0 SPEC.
- OVAL RING
 - The amount of low molecular siloxanes(D3~D10)is less than 200ppm
 - Hardness of silicone rubber:70°
 - Horizontal flash 0.1max;Longitudinal flash 0.10max
- BODY WITH O-RING'S SEAL AREA BURRS IS 0.05mm Max.
- FOR REFLOW SOLDERING LEAD-FREE PROCESS.
- PACKAGING: TAPE & REEL.



Oval ring drawing:



Oval Ring assembly state:



注:防水圈不用组装在产品上,要与产品配套单独出货。
Note:Waterproof ring need not assembled on the product, to form a complete set of product shipped separately.

ITEM	PART NAME	TERMINAL	QTY	MATERIAL	REMARK
④	BOND		1		
⑤	TERMINAL		2	C2680 T=0.3	1St: Ni(MIN 40u" or more) 2nd:Sn(MIN 80u" or more)
④	CONTACT	No.1 - No.5	5	C18140H T=0.20	Gold flash plating Matte Tin 40u"min on solder tail Nickel 40u"min plating all over.
④	SHELL		1	SUS 304 T=0.25	Nickel 40u"min plating all over
④	INSERT MOLDING		1	LCP(E130I,BLACK)	UL94 V-0
④	HOUSING		1	PA9T(GP2450,BLACK)	UL94 V-0

UNLESS OTHERWISE SPECIFIED, TOLERANCE ON DECIMAL:±0.3

MARK	DESCRIPTION	DATE	REVISED	APPROVED	UNSPECIFIED TOLERANCES	DSND	DATE	SCALE: N/A	MODEL TYPE: MICRO USB
△ X					ANGLAR ±5°	DWN	DATE	VIEW:	PART NO.:
△ X					L ≤ 4 ±0.2	CHKD	DATE	UNIT: mm	DWG NO.:
△ X					4 < L ≤ 16 ±0.3	APPD	DATE	SIZE: A4	U-E-M7SS-Y-0
					16 < L ≤ 63 ±0.4				WEIGHT
					L > 63 ±0.5				1.0g
									SHEET
									1/1
									REVISION
									A0