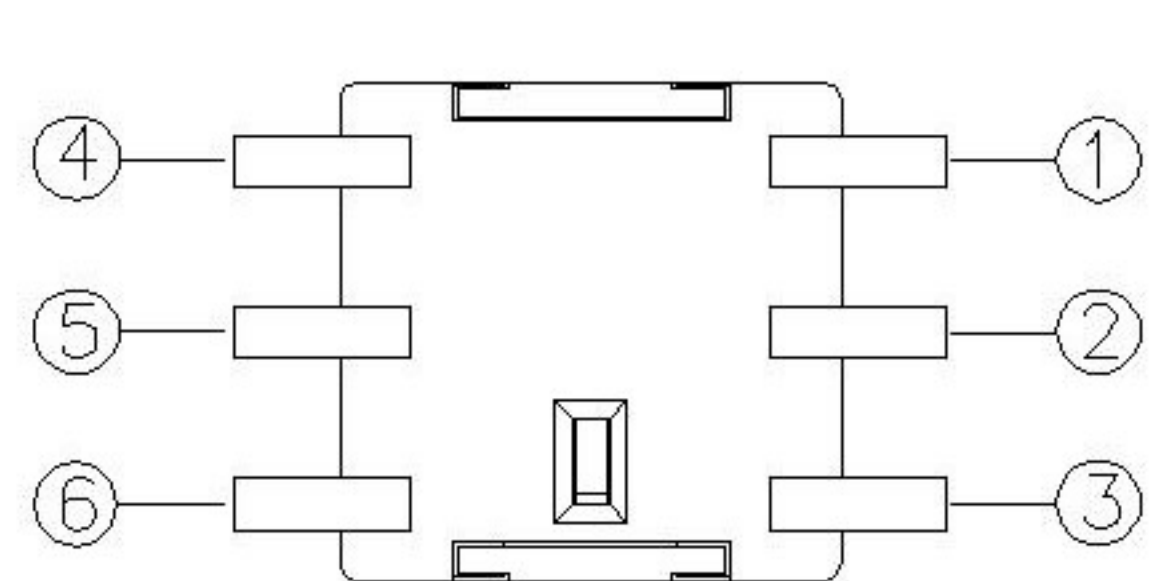
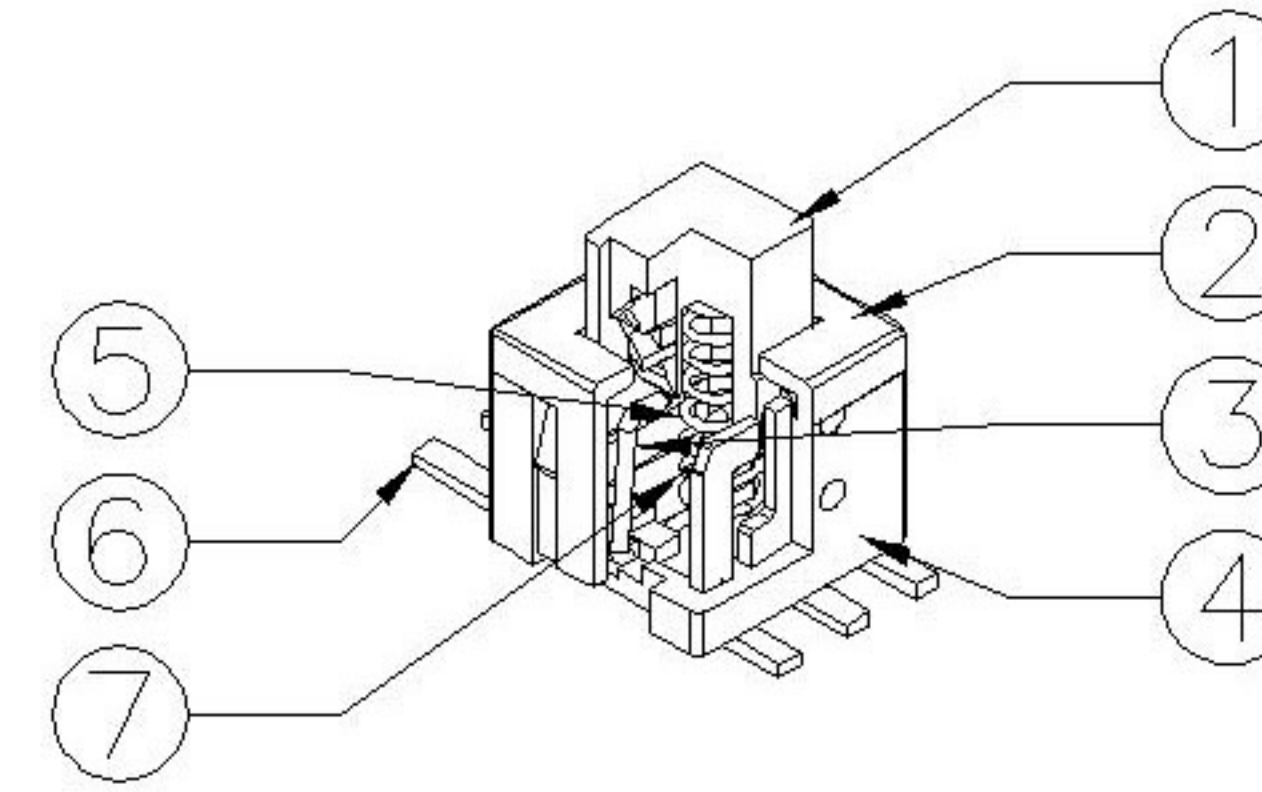
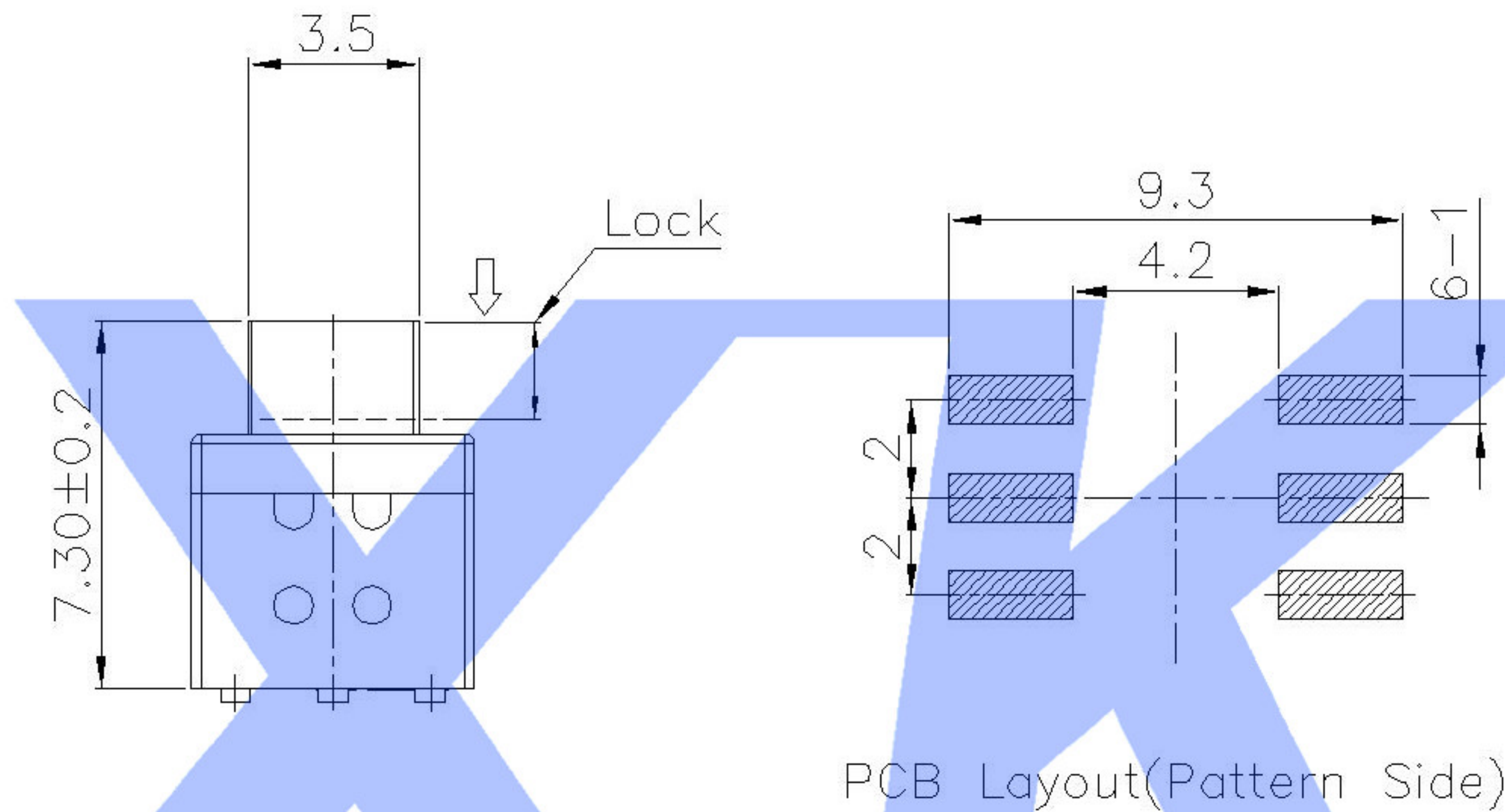
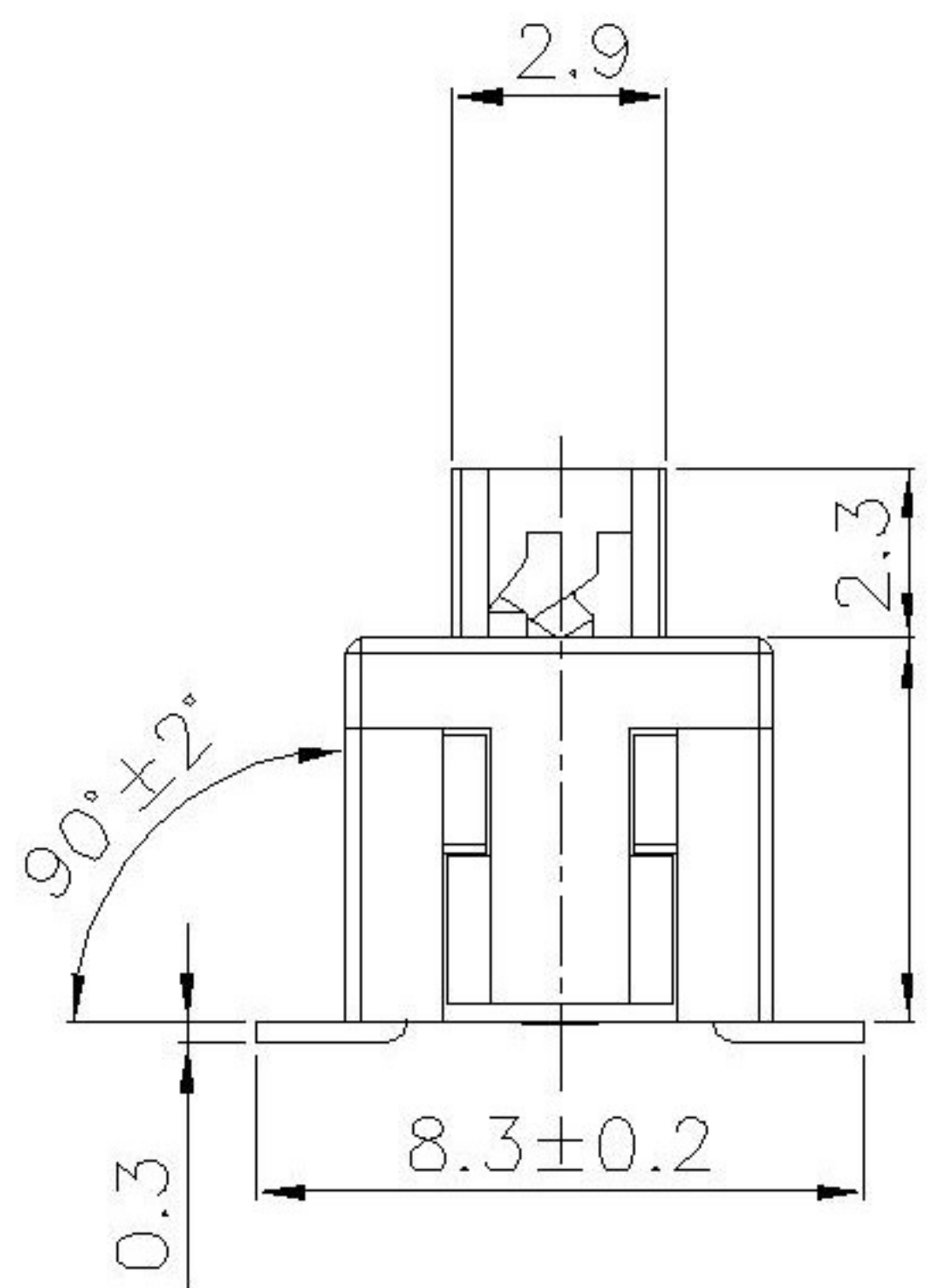


NOTE:
1. Operating Force: 180gf±50gf



SWITCH CONNECTOR

Circuit Diagram

FEATURES

- Light operating force.
- Long term low contact resistance.
- Momentary or latching operation.
- Short stroke 1.5mm to latch.
- Compact spacing on PCB of 5.8mm.

SPECIFICATIONS

1.ELECTRICAL

● Contact rating	0.1A, 30VDC
● Contact resistance	50mWMax.
● Insulation resistance	100MΩMin. at 250VDC
● Dielectric strength	250VAC Min. for 60 sec.

2.MECHANICAL AND ENVIRONMENTAL

● Temperature rating	Operating: -15°C to +55°C Storage: -25°C to +65°C
● Operation force	160±80gf
● Stroke	Lock Stroke: 1.1±0.2mm Full Stroke: 1.9±0.2mm
● Operating life	full load: 1x10 ⁴ cycles no load: 1x10 ⁵ cycles
● Contact form	DPDT

⑦	Contact	2	Phosphor bronze	ag Plated	---	
⑥	Terminal	6	Brass strip	ag Plated	---	
⑤	spring	1	SUS	Natural	---	
④	Base	1	Nylon		---	
③	Crochet Needle	1	SUS	Natural	---	
②	Cover	1	Nylon		---	
①	Keystake	1	Nylon		---	
ITEM	PAPT NAMF	TER,NO	QTY	MATERIAL	FINISHING	REMARK

PAPT NO XKB5858-X-TP-75

OPERATION W:NO LOCK Z:LOCK

DSND	DATE	SCALE: N/A	MODEL TYPE: PUSH SWITCH
DWN	DATE	VIEW:	PART NO.: XKB5858
CHKD	DATE	UNIT: mm	DWG NO.: XKB5858-X-TP-75
APPD	DATE	SIZE: A4	WEIGHT SHEET REVISION 1.0g 1/1 A0
XKB INDUSTRIAL PRECISION CO.,LIMITED			

MARK	DESCRIPTION	DATE	REVISED	APPROVED	UNSPECIFIED TOLERANCES
△X					ANGLAR ±5°
△X					L ≤ 4 ±0.2
△X					4 < L ≤ 16 ±0.3
					16 < L ≤ 63 ±0.4
					L > 63 ±0.5