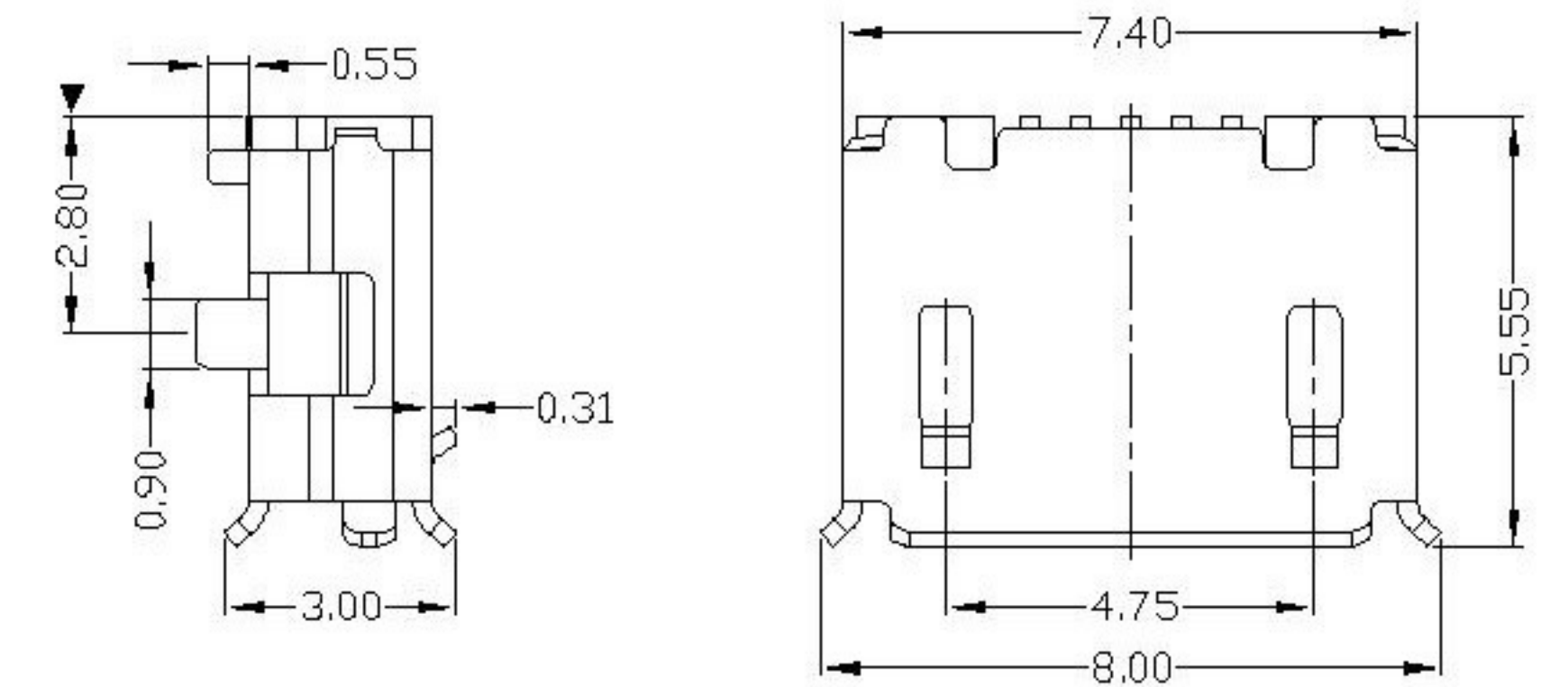
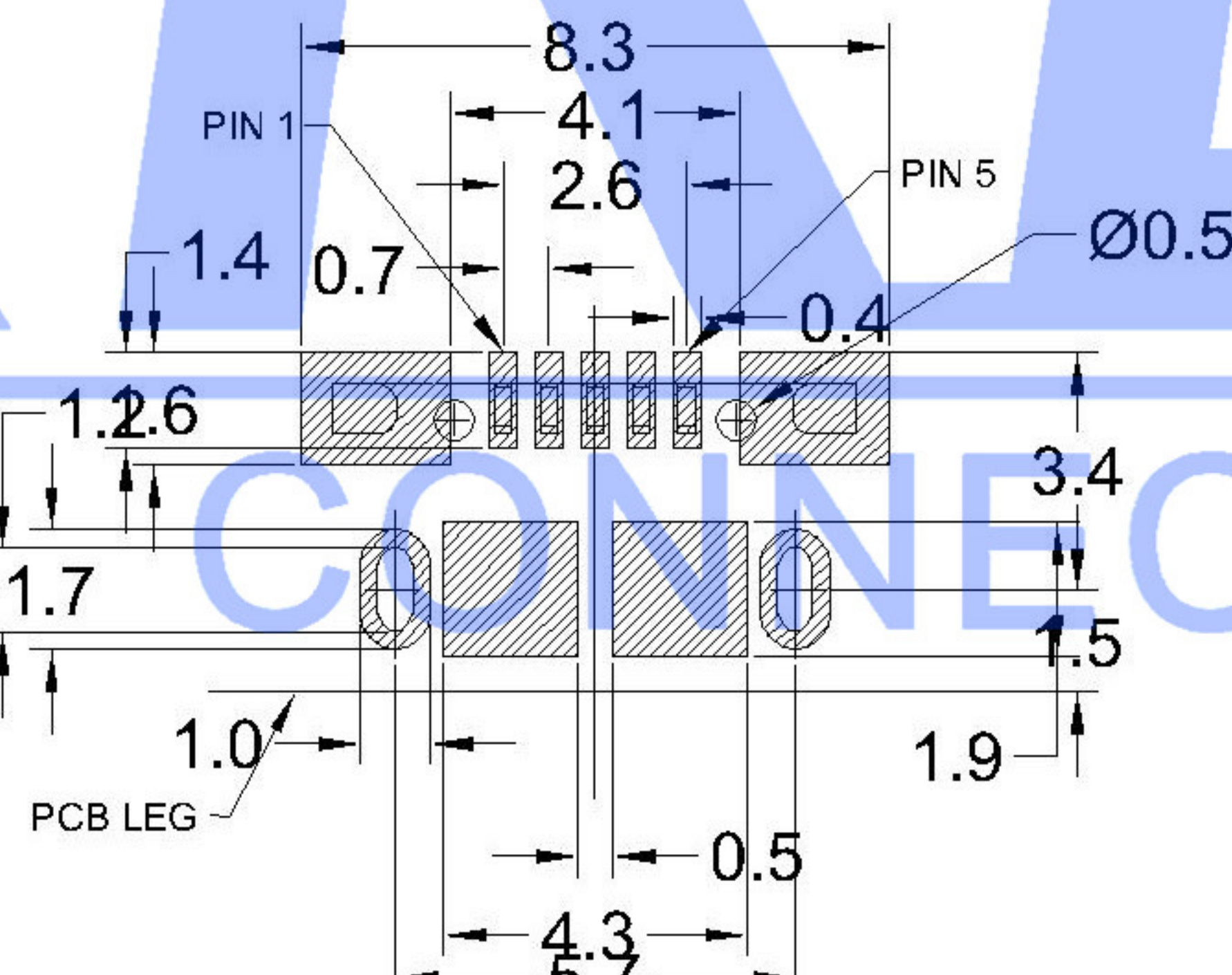
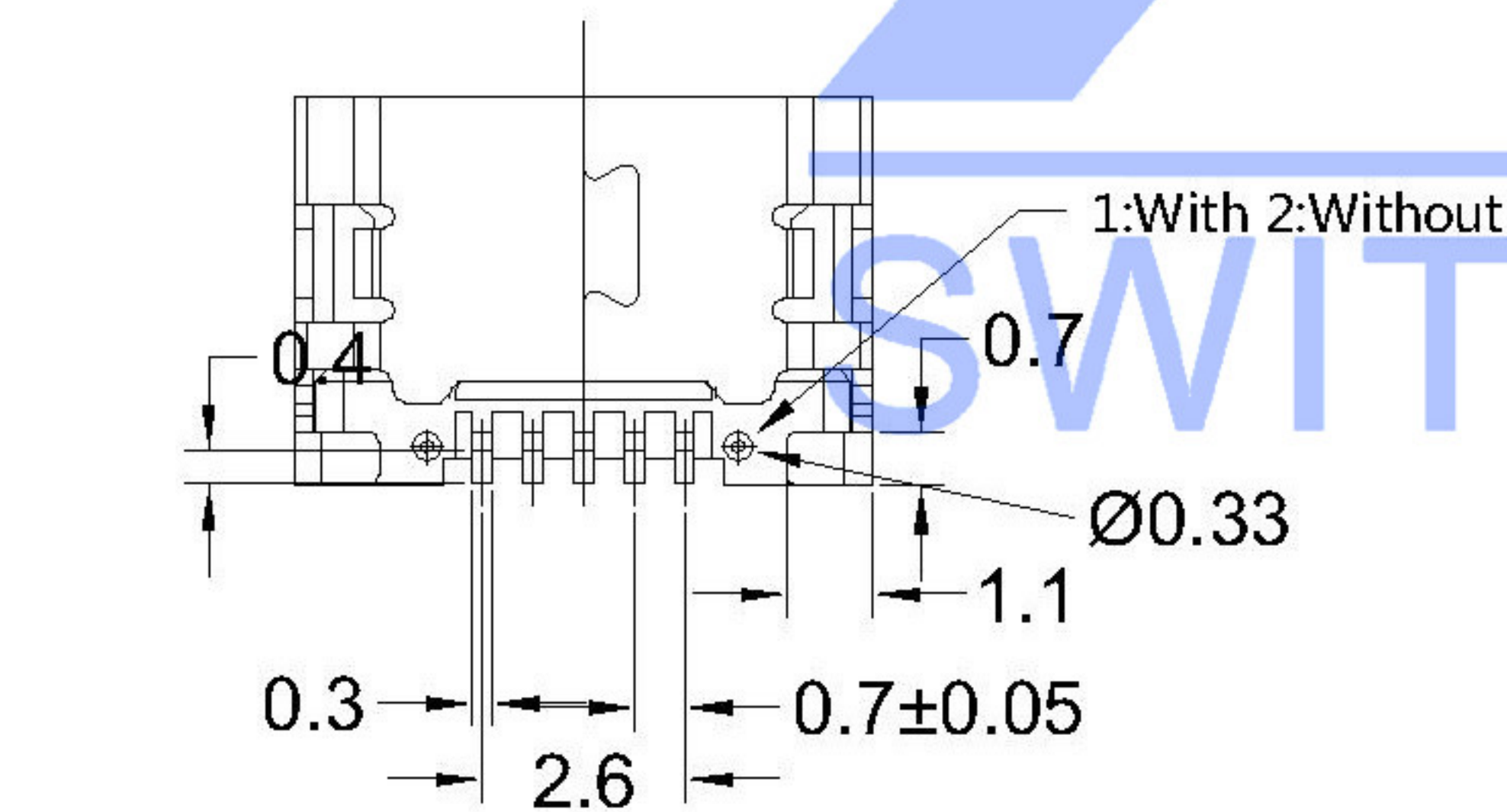
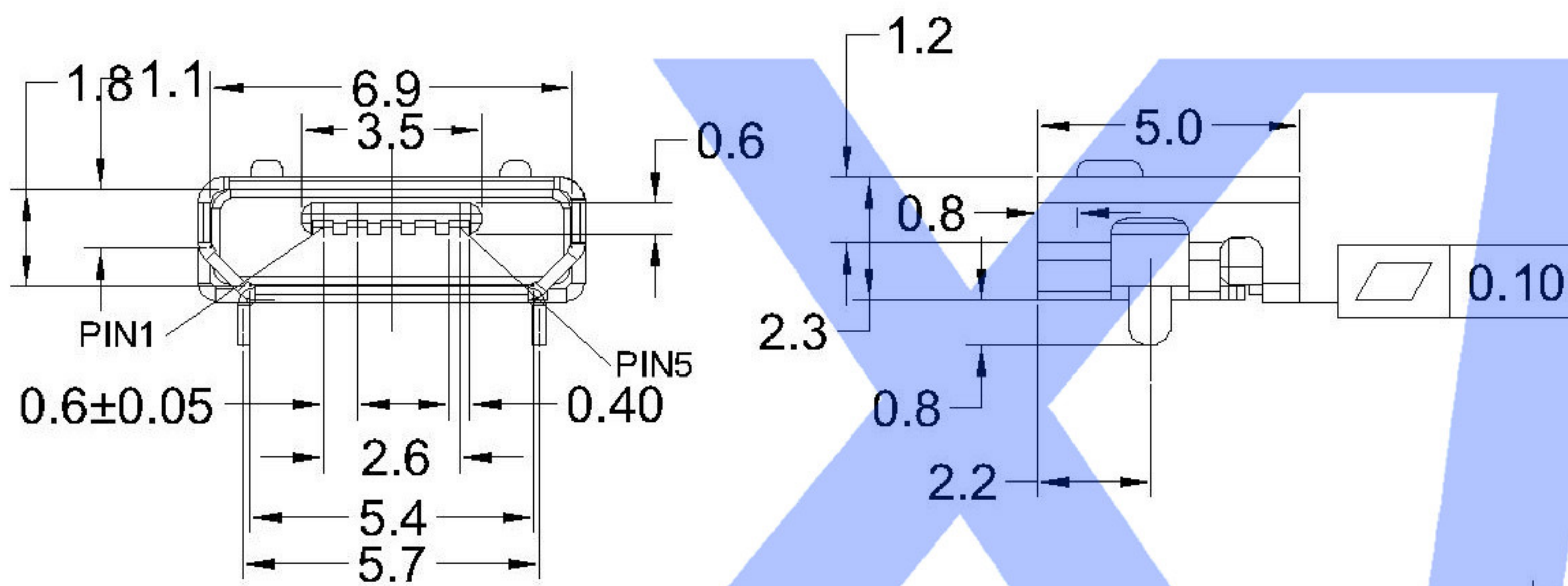


Flat(F)



Scrolls (S)



RECOMMENDED P.C.B. LAYOUT
TOP VIEW (TOLRANCE: ±0.05)

- NOTES:
- MATERIAL:
INSULATOR: HI-TEMP PLASTIC UL 94V-O; BLACK.
CONTACT: COPPER ALLOY(T=0.15MM).
 - FINISH:
CONTACT: Au PLATED ALL OVER NICKEL
SHELL: MATTE Sn PLATED OVER NICKEL
 - ELECTRICAL CHARACTERISTICS:
CURRENT RATING: 1.0 A
VOLTAGE RATING: 30 V
DIELECTRIC WITHSTANDING VOLTAGE: AC500V R.M.S.
INSULATION RESISTANCE: 100 MΩ MINIMUM.
CONTACT RESISTANCE: 30 mΩ MAXIMUM.
 - ENVIRONMENTAL:
OPERATING TEMPERATURE:-20°C~+85°C.

U254-05XX-4BH83-X-X-X

1:Au 1U"
6:Au 30U"
T:TIN
N:NICKEL

B:Brass S:Sus
1:With 2:Without
S:Scrolls F:Flat

B:BLACK W:WHITE

1:PBT
2:PA6T
3:PA9T
4:LCP

MARK	DESCRIPTION	DATE	REVISED	APPROVED	UNSPECIFIED TOLERANCES	DSND	DATE	SCALE: N/A	MODEL TYPE: MICRO USB
ΔX					ANGLAR ±5°	DWN	DATE <td>VIEW: </td> <td>PART NO.: U254-05XX-4BH83</td>	VIEW:	PART NO.: U254-05XX-4BH83
ΔX					L ≤ 4 ±0.2	CHKD	DATE <td>UNIT: mm</td> <td>DWG NO.: U254-05XX-4BH83-XXX</td>	UNIT: mm	DWG NO.: U254-05XX-4BH83-XXX
ΔX					4 < L ≤ 16 ±0.3	APPD	DATE <td>SIZE: A4</td> <td>WEIGHT 1.0g</td>	SIZE: A4	WEIGHT 1.0g
ΔX					16 < L ≤ 63 ±0.4	XKB INDUSTRIAL PRECISION CO., LIMITED			SHEET 1/1
ΔX					L > 63 ±0.5				REVISION A0