

FEATURES

- Light operating force.
- Long term low contact resistance.
- Momentary or latching operation.
- Short stroke 1.5mm to latch.
- Compact spacing on PCB of 7.0mm.

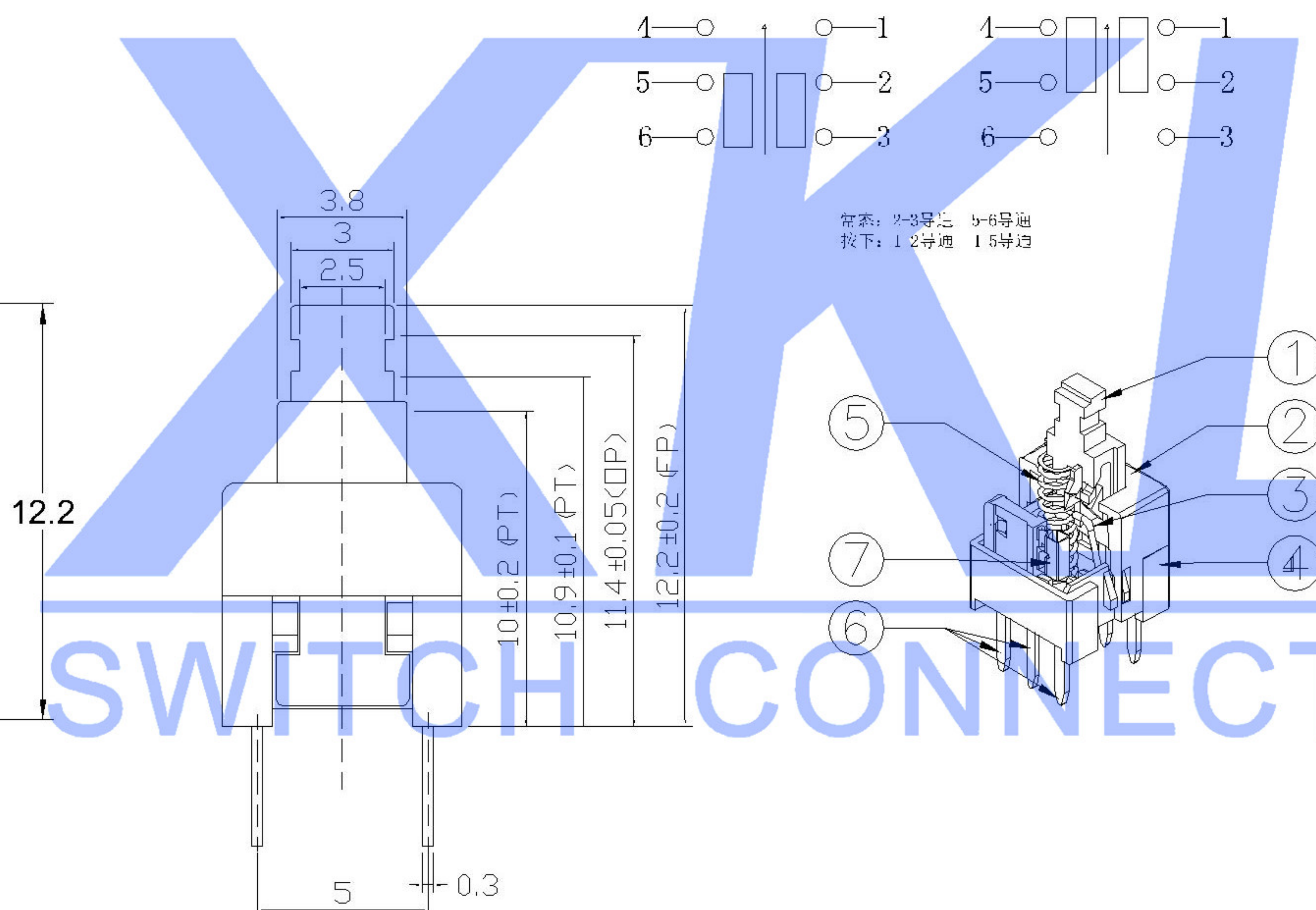
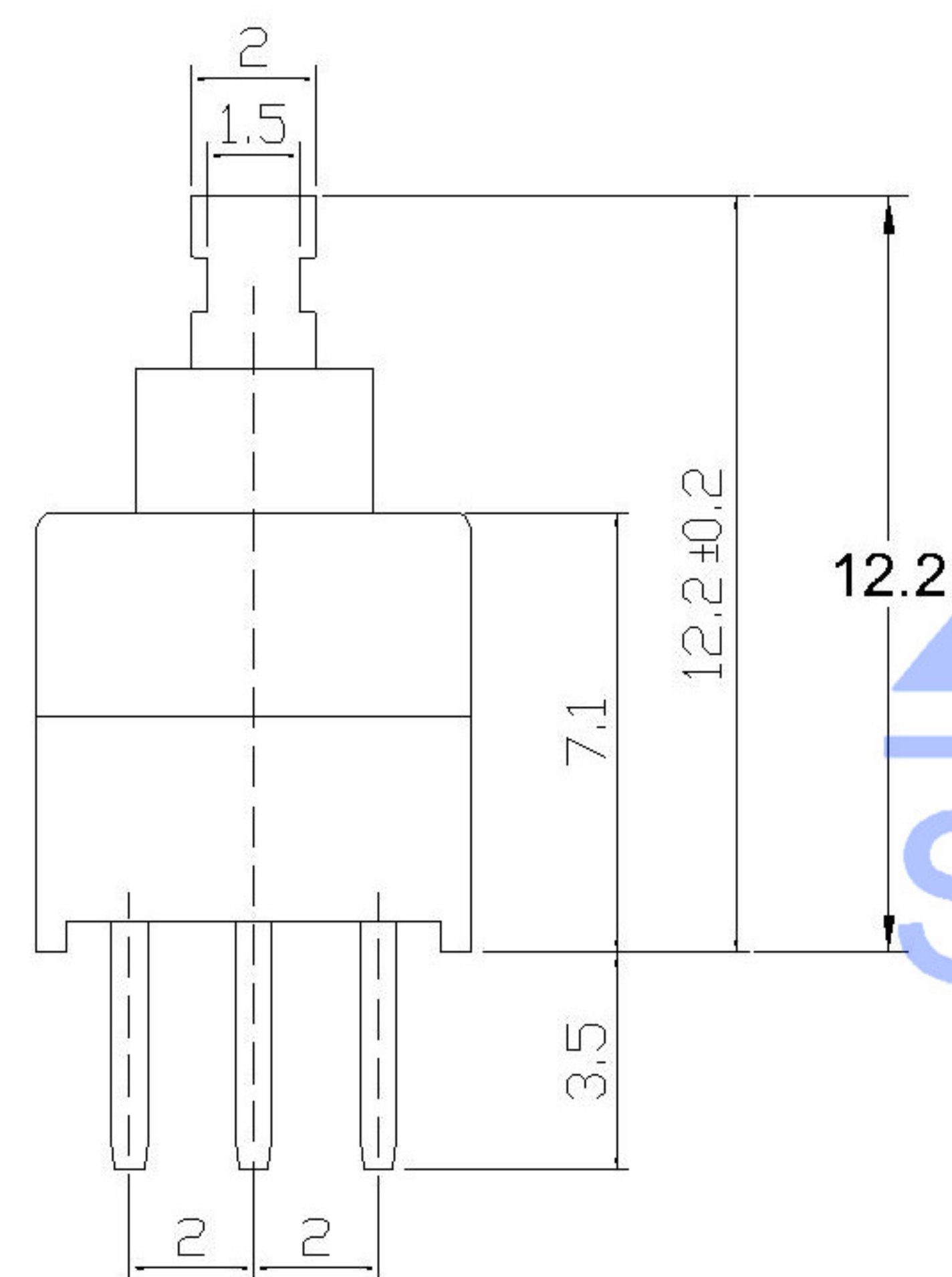
SPECIFICATIONS

1. ELECTRICAL

● Contact rating	0.1 A, 30VDC
● Contact resistance	50mWMax.
● Insulation resistance	100MWMin. at 250VDC
● Dielectric strength	250VAC Min. for 60 sec.

2. MECHANICAL AND ENVIRONMENTAL

● Temperature rating	Operating: -15°C to +55°C Storage: -25°C to +65°C
● Operation force	160±80gf
● Stroke	Lock Stroke: 1.5±0.2mm Full Stroke: 2.5±0.2mm
● Operating life	full load: 1x10 ⁴ cycles no load: 1x10 ⁵ cycles
● Contact form	DPDT



常态: 2-3导通 5-6导通
按下: 1-2导通 1-5导通

SWITCH CONNECTOR

PAPT NO	KKB7070-X
OPERATION	W:NO LOCK Z:LOCK

⑦	Contact	2	Phosphor bronze	ag Plated	——
⑥	Terminal	6	Brass strip	ag Plated	——
⑤	spring	1	SUS	Natural	——
④	Base	1	POM		——
③	Crochet Needle	1	SUS	Natural	——
②	Cover	1	POM		——
①	Keystake	1	POM		——

ITEM	PAPT NAMF	TER.NO	QTY	MATERIAL	FINISHING	REMARK
DSND						
DWN						
CHKD						
APPD						

MARK	DESCRIPTION	DATE	REVISED	APPROVED	UNSPECIFIED TOLERANCES
△X					ANGLAR ±5°
△X					L ≤ 4 ±0.2
△X					4 < L ≤ 16 ±0.3
					16 < L ≤ 63 ±0.4
					L > 63 ±0.5

SCALE: N/A	MODEL TYPE: PUSH SWITCH
VIEW:	PART NO.: KKB7070
UNIT: mm	DWG NO.: KKB7070-X
SIZE: A4	WEIGHT 1.0g
	SHEET 1/1
	REVISION A0